

### Sound Absorption Unit SDE 27

Group: 2712

#### Application

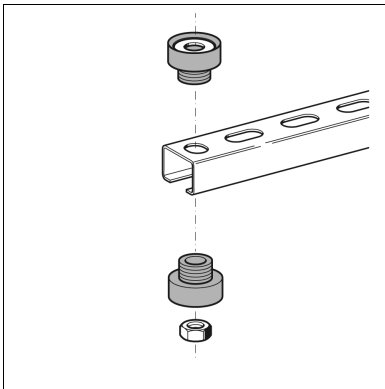
Sound Absorption Unit to be used in combination with Sikla Channels MS 27 in ducting systems (respecting sound proof demands according to DIN 4109). The geometry of this element reliably secures sound absorption between channel and suspension.

#### Scope of delivery

Completely assembled with inserted and retained washer.

#### Installation

Clamp the Sound Absorption Unit into the round hole of the channel back and into the channel opening. Thread to be pulled through and contered afterwards.



#### Technical Data

Material: TPE, black  
 Temperature range: -50°C to + 110°C  
 Fire resistance: B2 according to DIN 4102, non-dripping  
 Hardness: 50°+/-5° Shore

Type	Thread connection	Total-Height [mm]	Height of collar [mm]	W [kg]	Quantity [pack]	Part number
27	M8	15	7	0.01	100	<b>197973</b>