

### Sound Absorption Element SDE 41

Group: 1610

#### Application

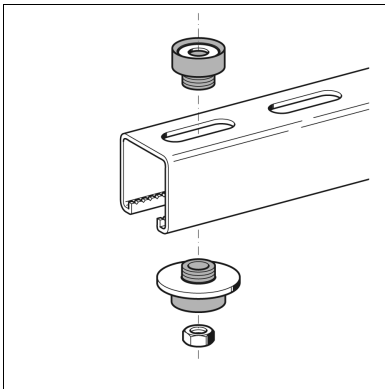
Sound Absorption Element for use in combination with Sikla Channels in ducting systems (suitable also for sound proof requirements according to DIN 4109).

#### Scope of delivery

With inserted and retained washer.

#### Technical Data

Material: TPE, black  
 Temperature range: -50°C up to +110°C  
 Fire resistance: B2 according to DIN 4102, non-dripping  
 Hardness: 50°+/-5° Shore  
 Washer: Steel, galvanised



Type	For channel	Thread connection	Total-Height [mm]	Height of collar [mm]	W [kg]	Quantity [pack]	Part number
41	41	M8/M10	18	10	0.01	100	<b>107802</b>