

Tie Rod STR HCP

Group: 1326

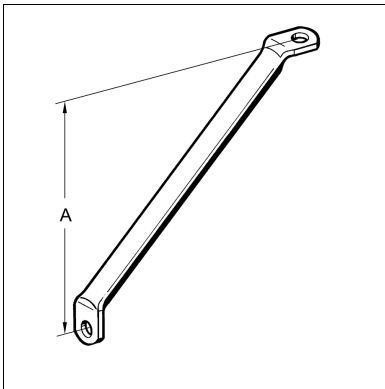
Application

Tie Rods cater for the lateral forces applied to Support Brackets. Such lateral forces always occur when pipes are laid, in particular when sliding elements are fixed onto Support Brackets, and **must** be safely absorbed by means of Tie Rods fixed to the brackets.

Otherwise the Support Brackets run the acute risk of being pulled out of their anchoring components by the forces exerted.

Installation

Fix the Tie Rod to the bore especially made for such purpose at the overhanging leg of the Support Bracket using the recommended hexagon bolt (see table).



Technical Data

| Type | Recommended bolt for attachment to Support Bracket | Permissible load (tension and pressure) |
|---------|--|---|
| 300/200 | M10 x 80 | 7.0 kN |
| 550/350 | M10 x 80 | 7.0 kN |
| 725/400 | M10 x 100 | 12.0 kN |
| 880/550 | M10 x 100 | 12.0 kN |

Material: Cold-worked tube DIN 2448, HCP

| Type | Pipe | Bore [mm] | W [kg] | Quantity [pack] | Part number |
|---------|--------|-----------|--------|-----------------|-------------|
| 300/200 | R 1/2" | 11 | 0.26 | 10 | 125967 |
| 550/350 | R 1/2" | 11 | 0.50 | 10 | 125994 |
| 725/400 | R 3/4" | 11 | 0.90 | 10 | 151908 |
| 880/550 | R 3/4" | 11 | 1.17 | 10 | 151892 |

