

Joint 41 T HCP

Group: 1842

Application

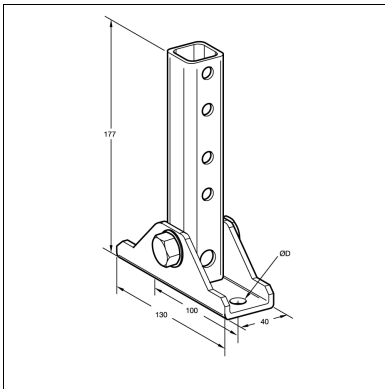
To be used for connecting Channels MS 41 to optionally bended structures such as tunnels, bended roof frames etc. under different angles. Especially suitable as brace support. Arrangement of the channel opening to all directions is possible.

Scope of delivery

Pre-assembled with captive screw and nut.

Installation

Fixation to walls, ceiling and floors by means of dowels. Adjustment of angle during assembly. Easy, fast and secure assembly of the channel with two Self Forming Screws FLS F 80.



Technical Data

Max. adm. load (vertical assembly to ceiling):

4.4 kN

Material:

Steel S235 JR, HCP

| Type | Ø D [mm] | W [kg] | Quantity [pack] | Part number |
|----------|-------------|-----------|--------------------|----------------|
| JOI 41 T | 10.5 | 0.81 | 20 | 197615 |

