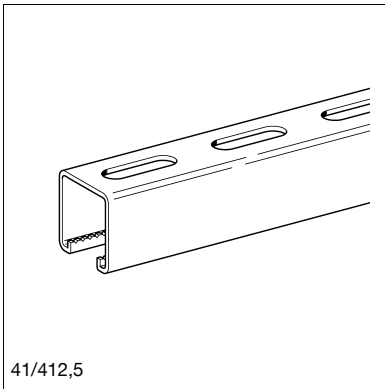
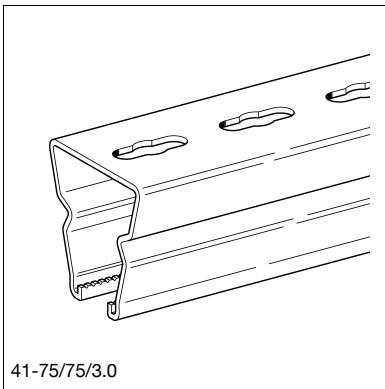


41/21/2,0



41/412,5



41-75/75/3,0

## Channel MS 41 HCP

Group: 1811

### Application

Element for easily and efficiently pre-assembling crossbars, wall brackets and supporting structures on construction sites or in workshops.

### Scope of delivery

Available as single or double channels.  
Double channels are joined together by clinching.

### Installation

All Channels MS 41 hcp are serrated inside and provide numerous combination options with other high corrosion protected system components.

### Technical Data

Material: Steel, HCP

D = Double channel

Type W/H/th [mm]	Section modulus [cm <sup>3</sup> ]	Moment of inertia [cm <sup>4</sup> ]	Radius of gyration [cm]
41/21/2.0	W <sub>y</sub> : 0.82	I <sub>y</sub> : 0.92	i <sub>y</sub> : 0.76
	W <sub>z</sub> : 2.12	I <sub>z</sub> : 4.35	i <sub>z</sub> : 1.65
41/31/2.0	W <sub>y</sub> : 1.60	I <sub>y</sub> : 2.77	i <sub>y</sub> : 1.13
	W <sub>z</sub> : 2.88	I <sub>z</sub> : 5.90	i <sub>z</sub> : 1.65
41/41/2.0	W <sub>y</sub> : 2.43	I <sub>y</sub> : 5.16	i <sub>y</sub> : 1.46
	W <sub>z</sub> : 3.65	I <sub>z</sub> : 7.48	i <sub>z</sub> : 1.75
41/41/2.5	W <sub>y</sub> : 2.96	I <sub>y</sub> : 6.19	i <sub>y</sub> : 1.43
	W <sub>z</sub> : 4.41	I <sub>z</sub> : 9.05	i <sub>z</sub> : 1.72
41/62/2.5	W <sub>y</sub> : 5.54	I <sub>y</sub> : 17.70	i <sub>y</sub> : 2.10
	W <sub>z</sub> : 6.27	I <sub>z</sub> : 12.86	i <sub>z</sub> : 1.79
41-75/75/3.0	W <sub>y</sub> : 10.31	I <sub>y</sub> : 44.42	i <sub>y</sub> : 2.53
	W <sub>z</sub> : 11.59	I <sub>z</sub> : 43.48	i <sub>z</sub> : 2.50
41/21/2.0 D	W <sub>y</sub> : 2.35	I <sub>y</sub> : 4.93	i <sub>y</sub> : 1.24
	W <sub>z</sub> : 4.24	I <sub>z</sub> : 8.70	i <sub>z</sub> : 1.65
41/41/2.5 D	W <sub>y</sub> : 9.02	I <sub>y</sub> : 36.99	i <sub>y</sub> : 2.46
	W <sub>z</sub> : 8.82	I <sub>z</sub> : 18.10	i <sub>z</sub> : 1.72
41-75/75/3.0 D	W <sub>y</sub> : 30.72	I <sub>y</sub> : 230.40	i <sub>y</sub> : 4.07
	W <sub>z</sub> : 23.07	I <sub>z</sub> : 86.96	i <sub>z</sub> : 2.50

Type W/H/th [mm]	Cross section A [cm <sup>2</sup> ]	Distance e [cm]	Max. point carrying capacity F <sub>max</sub> [kN]	Max. torsional moment M <sub>q</sub> [Nm]
41/21/2.0	1.61	1.12	4.0	44.5
41/31/2.0	2.17	1.73	4.0	44.5
41/41/2.0	2.43	2.12	4.0	44.5
41/41/2.5	3.05	2.09	6.0	44.5
41/62/2.5	4.01	3.20	6.0	44.5
41-75/75/3.0	6.95	4.31	10.0	44.5
41/21/2.0 D	3.21	2.10	4.0	44.5
41/41/2.5 D	6.09	4.10	6.0	44.5
41-75/75/3.0 D	13.90	7.50	10.0	44.5

Notice: All values take into account the perforation of the channels.  
For load charts, see chapter "Pressix CC 41".

### Approvals / Compliance



This product is has obtained the "RAL Gütezeichen Rohrbefestigung" and is subject to external surveillance according to RAL GZ-655.

\* = no RAL quality label

Type	Length [m]	Slot pattern	Weight [kg/m]	Qty. [m]	Part number
41/21/2.0	6	3	1.32	6	<b>193860</b>
41/31/2.0	6	3	1.64	6	<b>198896</b>
41/41/2.0	6	3	1.97	6	<b>196724</b>
41/41/2.5	6	3	2.36	6	<b>161497</b>
41/62/2.5	6	3	3.13	6	<b>199527</b>
41-75/75/3.0	6	4	5.68	6	<b>174008</b>
41/21/2.0 D *	6	3	2.64	6	<b>193884</b>
41/41/2.5 D *	6	3	4.74	6	<b>166748</b>
41-75/75/3.0 D *	6	4	11.24	6	<b>173981</b>