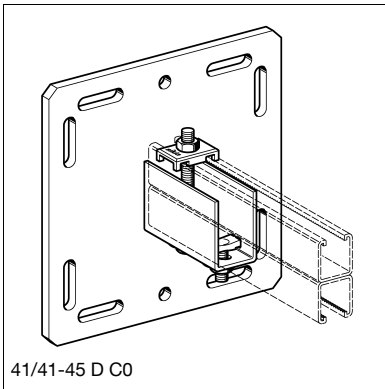
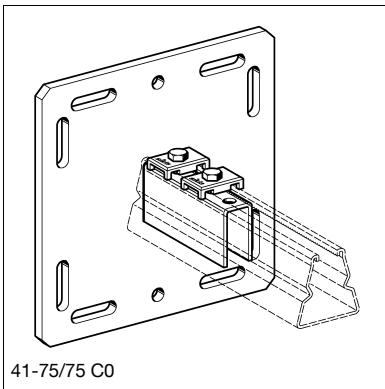


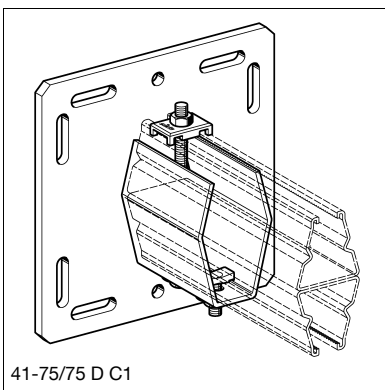
41/41-45 C0



41/41-45 D C0



41-75/75 C0



41-75/75 D C1

End Support WBD C HCP

Group: 1856

Application

In combination with Sikla Channels MS 41/41 or 41-75/75, End Support WBD is ideal for setting up support structures attached to walls, floors and ceilings and for direct fixing to steel beams. In combination with Joining Plate AP, a fixing to beams with flange width > 120 mm is possible.

Version 41-75/75 D C1 allows a direct fixing to beams with respective flange widths.

Scope of delivery

Base plate with welded U-profile

Accessories (pre-assembled):

- 2 Holding Brackets and 2 Hexagon Bolts, 2 welded hexagon nuts (WBD C for single channels)
- 1 Holding Bracket, 1 T-Bolt, nut, bolt and washer (WBD C for double channels)

Installation

Depending on the situation, different options are recommended:

- a) Frictional connection to steel beams using Assembly Set P2 (C0) or P3 (C1).
- b) Fixing to the building structure using at least 2 heavy-duty anchors M12 (C0) or M16 (C1). Please observe loads and approvals of anchors.

For ceiling mounting, the bolt connecting channel and end support must pass through both parts.

Technical Data

Type	For Sikla Channel	Dimensions of Base Plate [mm]	For beam width [mm]	Holes for
41/41-45 C0	41/41 41/45	220 x 220 x 12	80 - 120	M12
41-75/75 C0	41-75/75	220 x 220 x 12	80 - 120	M12
41/41-45 D C0	41/41 D 41/45 D	220 x 220 x 12	80 - 120	M12
41-75/75 D C1	41-75/75 D	340 x 340 x 12	100 - 200	M16

Material:

End Support WBD: Steel, HCP

Holding Bracket: Cast iron, HCP

Accessories: Steel, HCP

Type	W [kg]	Quantity [pack]	Part number
41/41-45 C0	5.09	1	179498
41-75/75 C0	4.74	1	179507
41/41-45 D C0	5.16	1	179561
41-75/75 D C1	12.32	1	179579