

CC 41-2

### Angle Connector CN CC 41-2

Group: 1352

#### Application

Pre-assembled connecting element for three-dimensional frame structures, optimised for linking channels of the 41 series at an angle of 90°. Preferably used in combination with 41/41 square channels.

Version W is used for connection to wall, floor or ceilings. The adjustment for the channel opening could still be chosen.

- ◆ Fast-Technique for 90° joints of Channel System 41
- ◆ Locks automatically when being put in place and supports its own weight.
- ◆ Secure, form-locking, non-positive connection. Serrated Channel Nut with Hexagon Bolt M10. Ideal shaping for high stiffness.

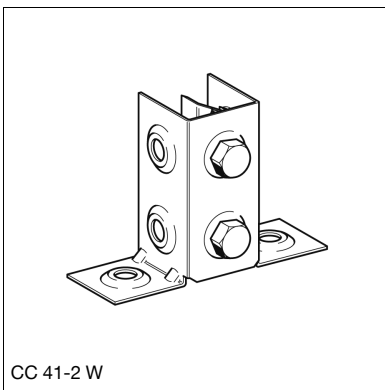
#### Technical Data

Working load:  $F_{perm} = 3.0 \text{ kN}$  per Connector

Torque: 50 Nm

Material: Steel, pre-galvanised

Type	W [kg]	Quantity [pack]	Part number
CC 41-2	0.55	10	<b>193495</b>
CC 41-2 W	0.45	10	<b>193648</b>



CC 41-2 W

