

SHB 160 - SHB 600

Insulated Foot Plate SHB HCP

Group: 1877

Application

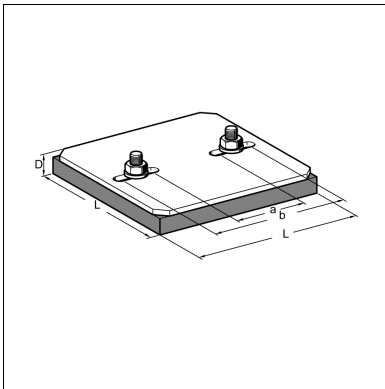
Comprehensive solution incl. protection pad for flat roofs and central energy supply centers with coated floor.

In combination with the Sikla Assembly System, this element allows the realisation of arbitrarily compositions. The water permeable protection pad allows a secure and reliable support with constant load distribution. Particularly suitable for the fixation of aggregates, pipings, ventilation ducts or walkways.

Following elements could be assembled to the Insulated Foot Plate: Slide Elements, Mounting Plates, Support Brackets 150/150, Joints JOI 41 T, Channels MS 41, Cantilever Brackets, End Supports WBD for single channel.

Installation

Unscrew the nuts, position the distance between the screws according to the slot pattern of the element to be connected and tighten screws.

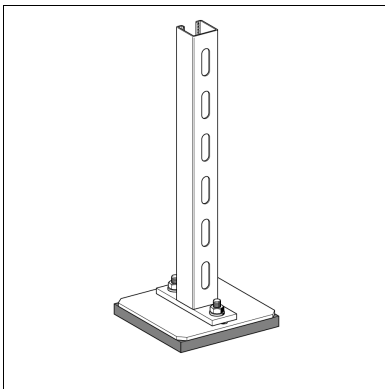


Technical Data

Statical E-module:	According to DIN 53513	0.8 - 0.9 N/mm ²
Dynamic E-module:	According to DIN 53513	0.6 - 2.2 N/mm ²
Compression set:	DIN 53572	approx. 4.5 % measured 30 min. after release at 50 % compression / 23°C after 72 hrs
Tensile strength:	DIN 53571	0.40 N/mm ² min.
Ultimate elongation:	DIN 53571	70 % min.
Tear strength:	DIN 53515	3.4 N/mm ² min.
Fire resistance:	DIN 4102	B2

Tests to determine the static friction coefficient shall be carried out by the customer. Depending on the used roofing film the customer has to decide if an additional separation layer (e.g. fleece) is necessary. Furthermore the statics have to be verified by a qualified engineer.

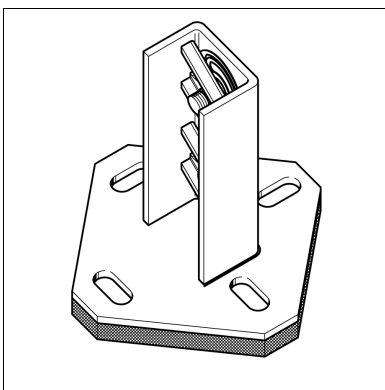
Material: Steel, HCP, caoutchouc compound material



Type	L [mm]	a [mm]	b [mm]	D [mm]
SHB 160	164 x 164	65	131	20
SHB 300	304 x 304	65	131	20
SHB 450	454 x 454	65	131	21
SHB 600	604 x 604	65	131	23

Type	Channel height h _{max} [mm]	Dimensions of the plate [mm]
SHB 41-1	41 - 62	110 x 110
SHB 41-2	41 - 62	160 x 160

For other dimensions, see End Support WBD.



Type	W [kg]	Quantity [pack]	Part number
SHB 160	1.30	10	113117
SHB 300	4.50	1	113118
SHB 450	11.50	1	113119
SHB 600	26.50	1	113120
SHB 41-1	1.22	10	198902
SHB 41-2	2.30	5	198919