

SB F 100-16

U-Holder SB F 100

Group: A839

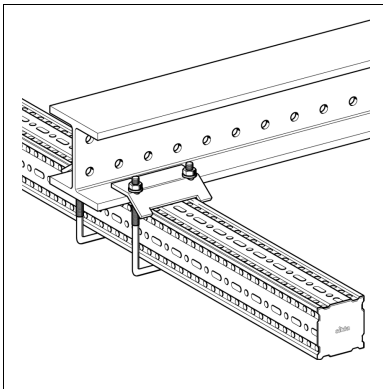
Application

Pre-assembled component to clamp Beam Section F100 to the flange side of traditional steel sections.

Scope of delivery

Type SB F 100-16:
Holder with thread M10
Plate
2 Hexagon nuts M10
2 Washers

Type SB F 100-40 and 100/160-40
Holder with thread M12
Plate
2 Beam Clips P2
2 Hexagon nuts M12
2 Washers



Installation

U-Holder to be used in pairs.

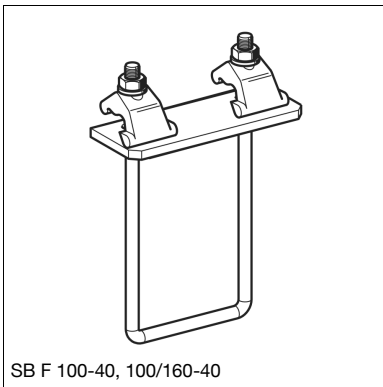
Type 16 up to flange thickness 16 mm

Type 40 up to flange thickness 40 mm

Technical Data

Material:

U-Holder: Steel, HCP
Plate: Steel, HCP
Beam Clip: Steel resp. Cast iron, HCP
Hex-nut/Washer: Steel, HCP



SB F 100-40, 100/160-40

Type	W [kg]	Quantity [pack]	Part number
SB F 100-16	0.7	20	113082
SB F 100-40	1.6	10	113083
SB F 100/160-40	1.7	10	113101

