

Beam Section Holder TPH F 100

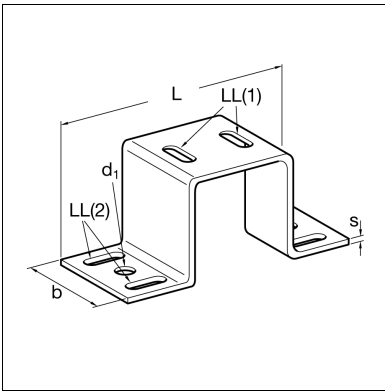
Group: A825

Application

Interface element to connect 90° intersecting Beam Sections F100. Alternatively the Beam Section Holder TPH may be used to connect only one beam section to an even surface with suitable wall anchors or with cast-in channel accessories.

Installation

Connecting one Beam Section F100 90° to another one by using 6 x Self Forming Screw FLS applied through all elongated holes. Connecting to any other surface or member by using 2 x Self Forming Screws FLS through the two elongated holes on the top of the Beam Section Holder TPH F100 plus 2 appropriate fixing elements up to M12 through the two holes “d1”.



Technical Data

Type	L x b x s [mm]	Ø d ₁ [mm]	Elongated hole LL1 d x a [mm]	Elongated hole LL2 d x a [mm]
TPH F 100 C	219 x 100 x 4	14	11 x 20	11 x 20
TPH F 100/80 C	199 x 100 x 4	14	11 x 20	11 x 20

Material: Steel, HCP

Type	W [kg]	Quantity [pack]	Part number
TPH F 100 C	1.2	10	113084
TPH F 100/80 C	1.0	10	113085

