

Beam Bracket TKO F 100

Group: A823

Application

Galvanised hollow-box-section with welded end-plate to serve as cantilever arm. May be used as a crossbar when combined with End Support STA/End Support WBD and 4 x Self Forming Screw FLS.

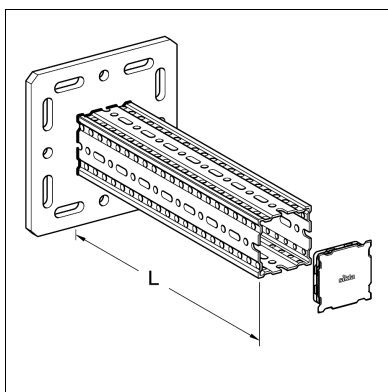
Scope of delivery

With pre-assembled End Cap ADK F100

Installation

Depending on the situation, different options are recommended:

- a) Directly to building structure: 4x suitable wall anchors.
- b) To traditional steel beams between 80 - 120 mm flange dimensions: with on-demand Adaptor Plate (tbc).
- c) To traditional steel beams > 120 flange dimension: with on-demand Adaptor Plate (tbc)
- d) To Sikla Simotec Steel Beams 100/120: with Bracket Plates FV 100/120 when positive mechanical connection required.



Technical Data

Type	L [mm]	Dimensions of base plate [mm]	Slots in base plate for
TKO F 100-400	400	220 x 220 x 12	M12
TKO F 100-800	800	220 x 220 x 12	M12
TKO F 100-1200	1200	220 x 220 x 12	M12

Configuration: Base plate welded to Beam Section TP F 100

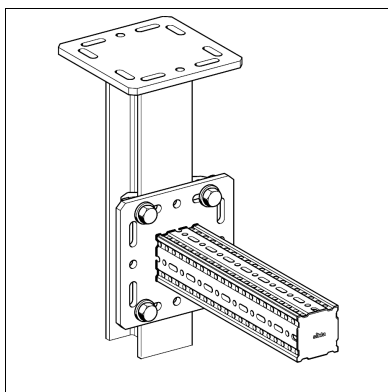
Material:

Plate: Steel, HCP

Beam Section: Steel, HCP

Approvals / Compliance

CE mark (Declaration of performance see www.sikla.com/service/downloads)



Type	W [kg]	Quantity [pack]	Part number
TKO F 100-400	8.6	1	113071
TKO F 100-800	12.8	1	113072
TKO F 100-1200	17.5	1	113421