

Mounting Plate GPL F 100

Group: A838

Application

Interface component to connect threaded bar and threaded tube to Beam Section F100.

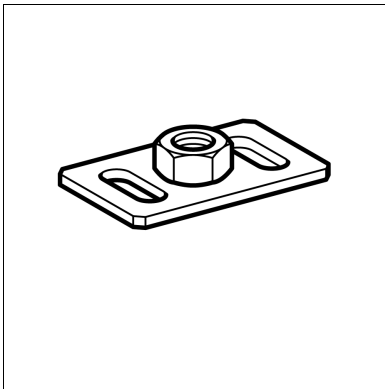
Installation

Requires 2 x Self Forming Screw FLS per Mounting Plate GPL.

Technical Data

Dimensions of Base plate: 100 x 50 x 4 mm

Material: Steel, HCP



Type	W [kg]	Quantity [pack]	Part number
GPL F 100-1/2"	0.2	50	113089
GPL F 100-M10	0.2	50	113338
GPL F 100-M12	0.2	50	113646
GPL F 100-M16	0.2	50	113090

