

Cantilever Bracket AK F 100

Group: A820

Application

Galvanised hollow-box-section with welded end-plate to serve as cantilever arm. May be used as a crossbar when combined with End Support STA and 4 x Self Forming Screw FLS.

Installation

With 4 x Self Forming Screw FLS when fixed to another siFramo hollow-box-section. Alternatively with two suitable wall anchors through holes "A" when fixed directly to building structure.

Technical Data

Type	L [mm]	Dimensions of base plate [mm]	Slots in base plate for	Round hole A for
AK F 100-400	400	210 x 100 x 8	M10	M12
AK F 100-800	800	210 x 100 x 8	M10	M12
AK F 100-1200	1200	210 x 100 x 8	M10	M12
AK F 100-E-600	600	210 x 100 x 8	M10	-

Configuration: Plate welded to Beam Section TP F 100

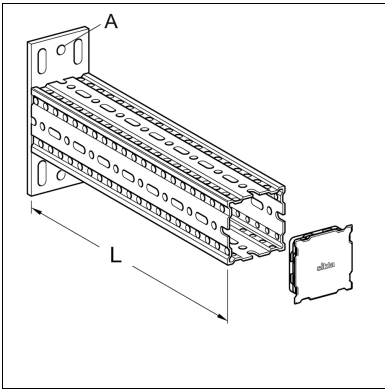
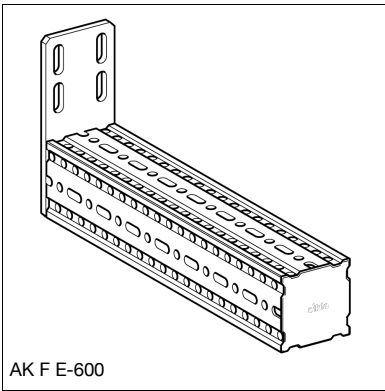
Material:

Plate: Steel, HCP

Beam Section: Steel, HCP

Approvals / Compliance

CE mark (Declaration of performance see www.sikla.com/service/downloads)



Type	W [kg]	Quantity [pack]	Part number
AK F 100-400	5.7	1	113068
AK F 100-800	10.1	1	113069
AK F 100-1200	14.7	1	113419
AK F 100-E-600	7.8	1	113070

