

End Cap ADK F 100

Group: A430

Application

Plastic end cap to close cut ends of Beam Section F100 to meet both visual and health & safety requirements. Standard Cantilever- and Beam Brackets (AK F100 and TKO F100) already include this end cap.

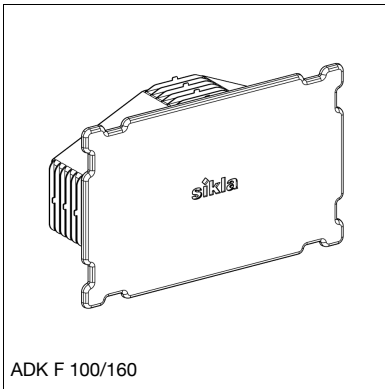
Installation

Mallet required.

Technical Data

Material: PE, colour yellow

Type	W [kg]	Quantity [pack]	Part number
ADK F 100	0.05	25	113086
ADK F 100/160	0.08	25	113102



ADK F 100/160

