

### Cantilever Bracket AK F 80/30

Group: A420

#### Application

Galvanised hollow-box-section with welded end-plate to serve as cantilever arm. May be used as a crossbar when combined with End Support STA and 4 x Self Forming Screw FLS.

#### Installation

With 4 x Self Forming Screw FLS when fixed to another siFramo hollow-box-section. Alternatively with two suitable wall anchors through holes "A" when fixed directly to building structure.

#### Technical Data

Type	L [mm]	Dimensions of base plate [mm]	Slots in base plate for
AK F 80/30-400	400	130 x 80 x 8	M10
AK F 80/30-800	800	130 x 80 x 8	M10
AK F 80/30-E-400	400	80 x 80 x 8	M10
AK F 80/30-E-800	800	80 x 80 x 8	M10

Configuration: Plate welded with Beam Section F 80/30

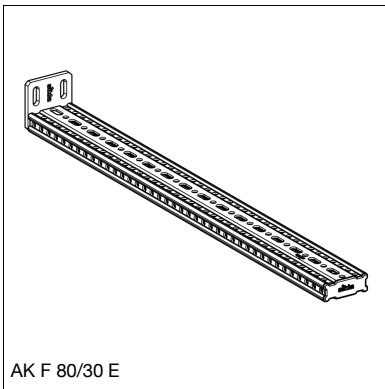
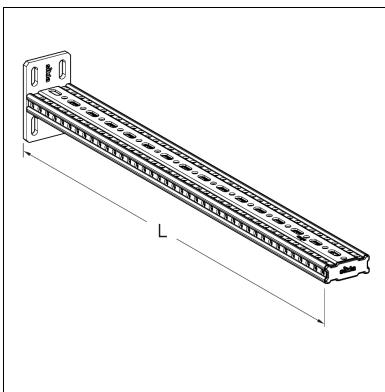
Material:

Plate: Steel, HCP

Beam section: Steel, HCP

#### Approvals / Compliance

CE mark (Declaration of performance see [www.sikla.com/service/downloads](http://www.sikla.com/service/downloads))



Type	W [kg]	Quantity [pack]	Part number
AK F 80/30-400	2.4	1	<b>113064</b>
AK F 80/30-800	4.2	1	<b>113065</b>
AK F 80/30-E-400	2.2	1	<b>113625</b>
AK F 80/30-E-800	4.0	1	<b>113626</b>

