

AA022

SpiroVent Deaerator 22 mm

Specifications

ArticleNr	AA022
Product description	SpiroVent Deaerator 22 mm
Description	SpiroVent
Volume	0,18 Ltr.
Dry weight	1,2 Kg

Design Criteria

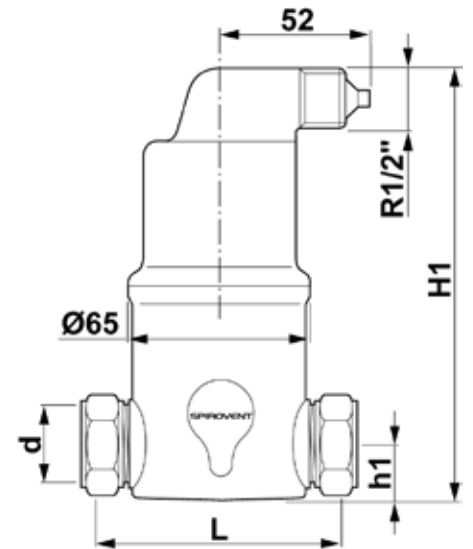
Medium	Water /glycol (max 50%)
Max. flow rate	1,25 m ³ h
Max. pressure	10 bar-g
Max. temperature	110 °C

Testing & Quality assurance

Test pressure	7 bar-g
Test medium	Air
Design & manufacturing acc. 97/23/EC	PED Art. 3.3

Construction Materials

Separation element	Spirotube - copper
Deaeration cap	Brass
Housing	Brass



Dimensions

H	153 mm
h1	20 mm
d	22 mm
LC	106 mm