

## Level Measurement

Point level measurement  
Vibrating switches

### SITRANS LVL100

#### Overview



SITRANS LVL100 is a compact vibrating level switch for material detection in liquid and slurry applications such as overflow, high, low and demand applications, as well as pump protection. It is ideal for use in confined spaces.

#### Benefits

- Proven vibrating level switch technology for liquids
- Compact insertion length of 40 mm (1.57 inch) for confined space applications
- Available starting at 1/2" threaded process connections
- Fault monitoring for corrosion, loss of vibration, or line break to the piezo drive
- Integrated test function to confirm correct operation

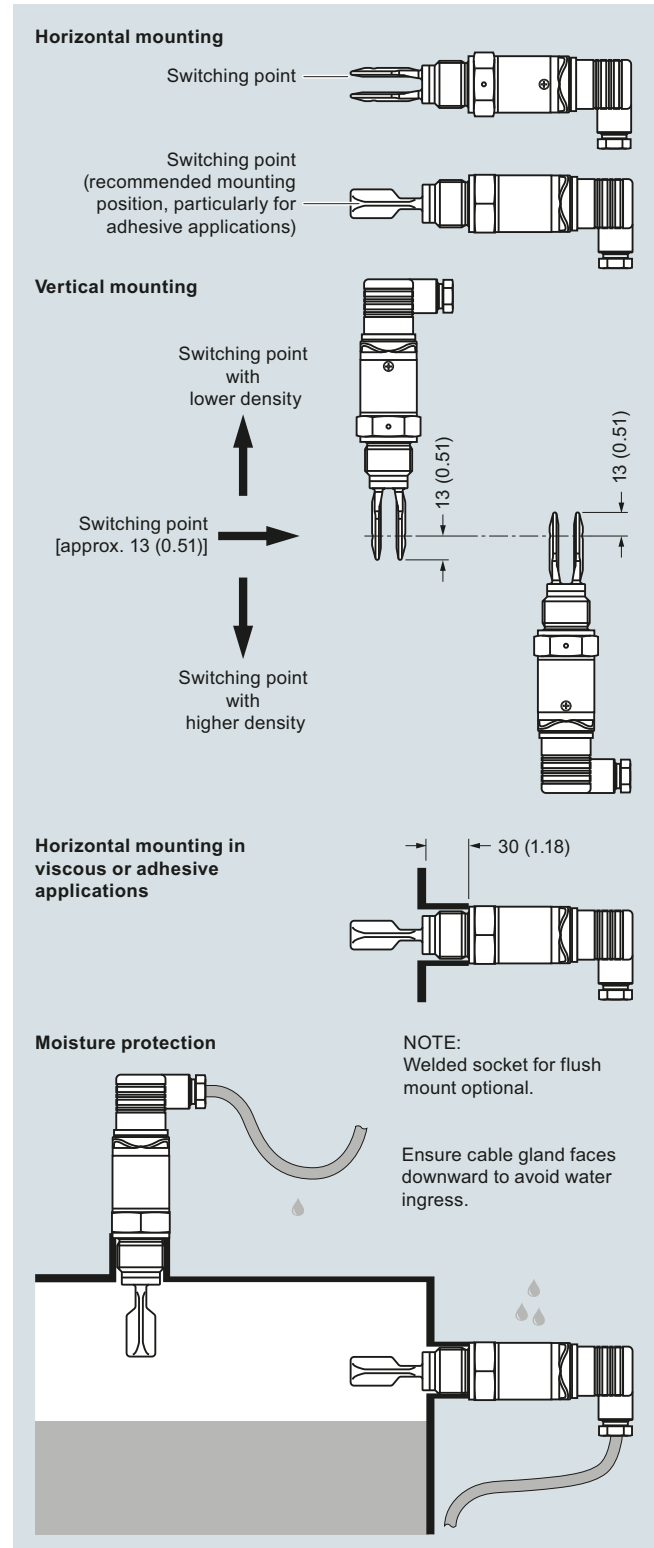
#### Application

SITRANS LVL100 is a compact level switch designed for industrial use in all areas of process technology and can be used for material detection with liquids and slurries. With an insertion length of only 40 mm (1.57 inch), SITRANS LVL100 can be mounted in small pipes and confined space applications. It is virtually unaffected by the chemical and physical properties of the liquid. The LVL100 can be used in difficult conditions including turbulence, air bubbles, foam generation, buildup, or external vibration.

The tuning fork is piezoelectrically energized and vibrates at a mechanical resonance frequency of approximately 1 200 Hz. The vibration frequency changes when the tuning fork is covered by the medium. This change is detected by the integrated oscillator and converted into a switching command. The integrated electronics evaluate the level signal and output a switching signal to connected devices.

- Key Applications: for use in liquids and slurries, for level measurement, overflow, and dry run protection

#### Configuration



SITRANS LVL100 installation, dimensions in mm (inch)

#### Technical specifications

<b>Mode of operation</b>	
Measuring principle	Vibrating point level switch
<b>Input</b>	
Measured variable	High and low and demand
<b>Output</b>	
Output options	<ul style="list-style-type: none"> <li>• Contactless electronic switch</li> <li>• Transistor output PNP</li> </ul>
<b>Measuring accuracy</b>	
Hysteresis	Approx. 2 mm (0.08 inch) with vertical installation
Switching delay	Approx. 500 ms (on/off)
Frequency	Approx. 1 100 Hz
<b>Rated operating conditions</b>	
Installation conditions	Indoor/outdoor
• Location	
Ambient conditions	
• Ambient temperature	-40 ... +70 °C (-40 ... +158 °F)
• Installation category	III
• Pollution degree	2
Medium conditions	
• Temperature	
- Standard	-40 ... +100 °C (-40 ... +212 °F)
- High temperature option	-40 ... +150 °C (-40 ... +302 °F)
• Pressure (vessel)	-1 ... 64 bar g (-14.5 ... 928 psi g)
• Density	0.7 ... 2.5 g/cm <sup>3</sup> (0.025 ... 0.09 lb/in <sup>3</sup> )
<b>Design</b>	
Material	
• Enclosure	316L and Plastic PEI
• Tuning fork	316L (1.4404 or 1.4435)
• Process connection (threaded)	316L (1.4404 or 1.4435)
• Process seal	Klingersil C-4400
Process connection	
• Pipe thread, cylindrical (ISO 228 T1)	G ½" A, G ¾" A, or G 1" A
• Pipe thread, tapered	½" NPT, ¾" NPT, or 1" NPT
• Hygienic fittings	Bolting DN 40 PN 40
	Tri-clamp 1", 1½", 2" PN 10
Degree of protection	IP65/Type 4/NEMA 4 (with DIN 43650 valve plug), IP66/67 or IP68 (with M12 connector)
Conduit entry	1 x M12 [IP66/IP67 or IP68 (0.2 bar)]
Weight (housing)	250 g (9 oz)
<b>Power supply</b>	
Supply voltage	20 ... 253 V AC, 50/60 Hz 20 ... 253 V DC
Power consumption	Max. 0.5 W
<b>Certificates and approvals</b>	
	<ul style="list-style-type: none"> <li>• Overfill protection (WHG)</li> <li>• Shipping approvals</li> </ul>

## Level Measurement

Point level measurement

Vibrating switches

### SITRANS LVL100

#### Selection and Ordering data

Article No.

#### SITRANS LVL100

Compact vibrating level switch for use in liquid and slurry applications such as overflow, high, low, and demand applications, as well as pump protection. Ideal for use in confined spaces.

➤ Click on the Article No. for the online configuration in the PIA Life Cycle Portal.

#### Approvals

Without approvals  
Shipping approvals<sup>5)</sup>  
Overfill protection (WHG)<sup>1)</sup>  
Canada/US for Ex-free area (including Ordinary Location Approval)<sup>7)</sup>

#### Process temperature

Standard -40 ... +100 °C (-40 ... +212 °F)<sup>2)</sup>  
Extended -40 ... +150 °C (-40 ... +302 °F)<sup>2)6)</sup>  
Hygienic applications -40 ... +150 °C (-40 ... +302 °F)<sup>3)</sup>

#### Process connection

Thread G $\frac{3}{4}$ " A PN 64/316L A 0  
Thread G $\frac{3}{4}$ " A PN 64/316L Ra < 0.8 µm A 1  
Thread  $\frac{3}{4}$ " NPT PN 64/316L A 2  
Thread  $\frac{3}{4}$ " NPT PN 64/316L Ra < 0.8 µm A 3  
Thread G1" A PN 64/316L A 4  
Thread G1" A PN 64/316L Ra < 0.8 µm A 5  
Thread 1" NPT PN 64/316L A 6  
Thread 1" NPT PN 64/316L Ra < 0.8 µm A 7  
Tri-Clamp 1" PN 16 DIN 32676/316L Ra < 0.8 µm A 8  
Tri-Clamp 1 $\frac{1}{2}$ " PN 16 DIN 32676/316L Ra < 0.8 µm B 0  
Tri-Clamp 2" PN 16 DIN 32676/316L Ra < 0.8 µm B 1  
Bolting DN 25 PN 40 DIN 11851/316L Ra < 0.8 µm B 2  
Bolting DN 40 PN 40 DIN 11851/316L Ra < 0.8 µm B 3  
Bolting DN 50 PN 25 DIN 11851/316L Ra < 0.8 µm B 4  
SMS DN 38 PN 6 316L Ra < 0.8 µm B 5  
Hygienic fitting with compression nut F40 PN 25/316L Ra < 0.8 µm B 6  
Thread G $\frac{1}{2}$ " (DIN 3852-A) PN 64 / 316L C 0  
Thread G $\frac{1}{2}$ " (DIN 3852-A) PN 64 / 316L Ra < 0.8 µm C 1  
Thread  $\frac{1}{2}$ " NPT (ASME B1.20.1) PN 64/316L C 2  
Thread  $\frac{1}{2}$ " NPT (ASME B1.20.1) PN 64/316L Ra < 0.8 µm C 3  
Thread R $\frac{3}{4}$ " PN 64, EN 10226-1/316L D 0  
R1 Thread R1 PN 64, EN 10226-1/316L D 1  
RF Thread R1 PN 64, EN 10226-1/316L (Ra < 0.8 µm) D 2

#### Electronics

Contactless electronic switch 20 ... 250 V AC/DC<sup>4)</sup> 1  
Transistor output PNP 10 ... 35 V DC 2

#### Housing

316L 1

#### Electrical connection/Protection

M12 x 1/IP67 A  
According to ISO4400 including plug/ IP65 B  
According to DIN 43650 incl. plug with QuickOn connection/IP65 C  
M12 x 1 incl. 5 m cable/IP68 (0.2 bar) D

<sup>1)</sup> Available only with Electronics option 2

<sup>2)</sup> Available only with process connection A0, A2, A4, A6, C0, C2, D0 and D1

<sup>3)</sup> Available only with process connection A1, A3, A5, and A7 ... B6, C1, C3 and D2

<sup>4)</sup> Available only with Electrical connection/Protection option B and C

<sup>5)</sup> Available only with Process Temperature options A and B

<sup>6)</sup> Available only with shipping approvals DNV and GL

<sup>7)</sup> Available only with Electrical connection/Protection option B

#### Selection and Ordering data

Order code

#### Further designs

Please add "-Z" to Article No. and specify Order code(s).

Cleaning including certificate (oil, grease and silicone free)

W01

Identification Label, foil laser marking

Y16

Acceptance test Certificate 2.2 for material EN 10204

C15

3.1-Inspection Certificate for instrument with test data (EN 10204)

C25

#### Operating Instructions

All literature is available to download for free, in a range of languages, at <http://www.siemens.com/processinstrumentation/documentation>

#### Spare Parts

LVL100 Threaded Welded Socket

Article No.

G $\frac{3}{4}$ " A/316L with FKM Seal

7ML1930-1EE

G1" A/316L with FKM Seal

7ML1930-1EF

M27 x 1.5/316L with FKM Seal

7ML1930-1EG

G $\frac{3}{4}$ " A/316L with EPDM Seal

7ML1930-1EH

G1" A/316L with EPDM Seal

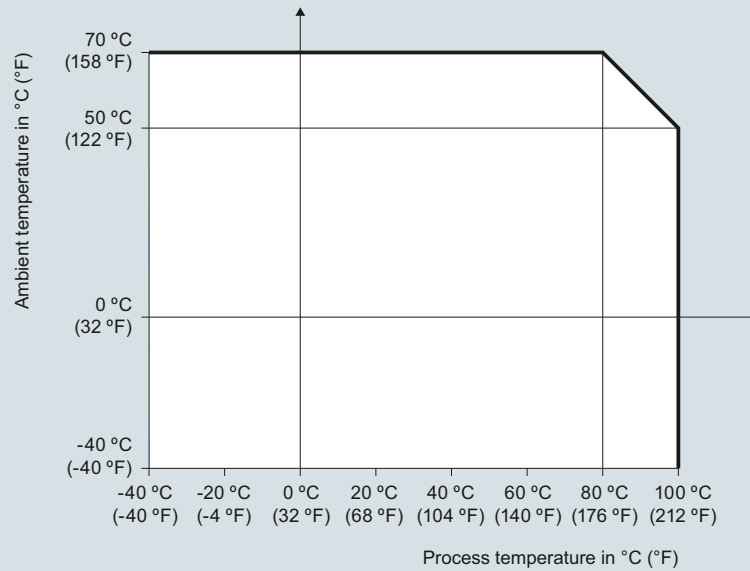
7ML1930-1EJ

M27 x 1.5/316L with EPDM Seal

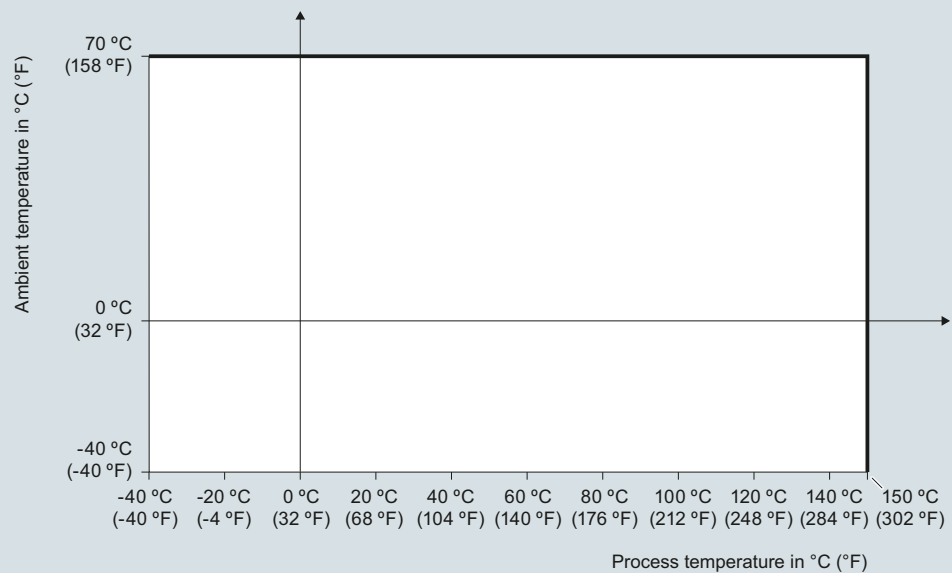
7ML1930-1EK

### Characteristic curves

**Ambient temperature to process temperature dependency  
(standard version)**



**Ambient temperature to process temperature dependency  
(high temperature version)**



SITRANS LVL100 ambient temperature/process temperature derating curves

# Level Measurement

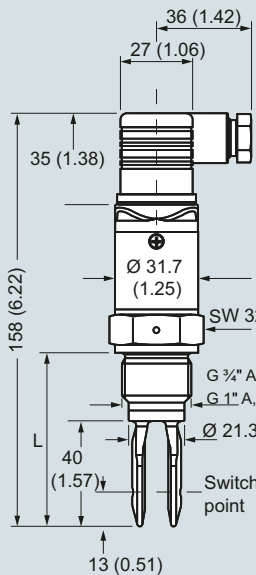
Point level measurement  
Vibrating switches

## SITRANS LVL100

### Dimensional drawings

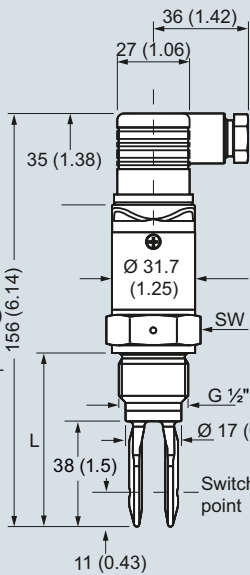
#### SITRANS LVL100 (standard)

Thread G 3/4" A, G 1" A  
(DIN ISO 228/1),  
3/4" NPT or 1" NPT  
(valve plug ISO 4400)



L =  
Length with G 3/4" A, 3/4" NPT: 66 (2.6)  
Length with G 1" A, 1" NPT: 69 (2.7)

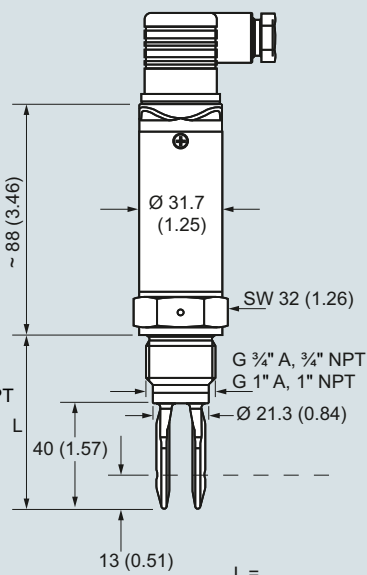
Thread G 1/2" A  
(DIN ISO 228/1),  
1/2" NPT  
(valve plug ISO 4400)



L =  
Length with G 1/2" A, 1/2" NPT: 62 (2.4)

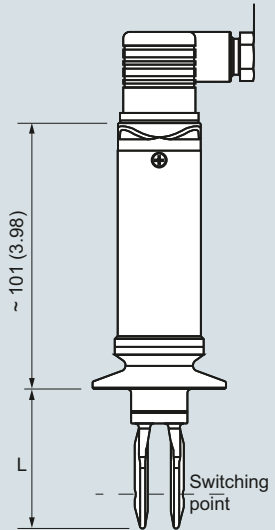
#### SITRANS LVL100 (extended high temperature)

Thread G 3/4" A, G 1" A  
(DIN ISO 228/1),  
3/4" NPT or 1" NPT  
(valve plug DIN 43650)

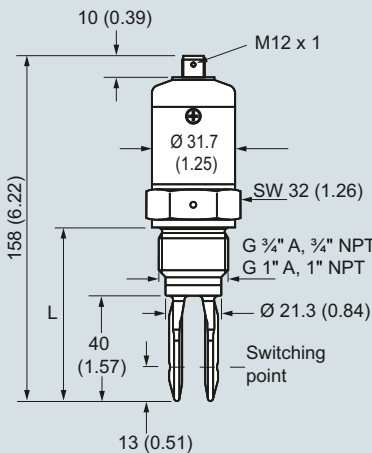


L =  
Length with G 3/4" A, 3/4" NPT: 66 (2.6)  
Length with G 1" A, 1" NPT: 69 (2.7)  
Length with Tri-clamp: 53 (2.1)

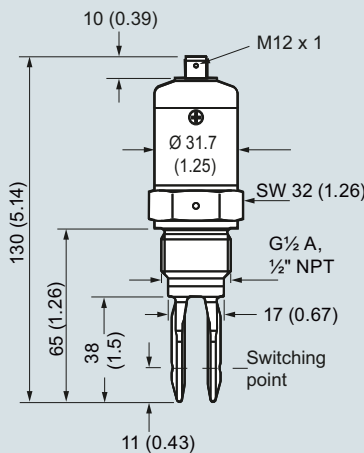
Tri-clamp (valve plug DIN 43650)



#### SITRANS LVL100 (standard with M12 connector)



L =  
Length with G 3/4" A, 3/4" NPT: 66 (2.6)  
Length with G 1" A, 1" NPT: 69 (2.7)

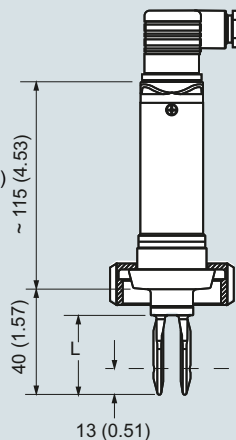


L =  
Length with G 1/2" A, 1/2" NPT: 62 (2.4)

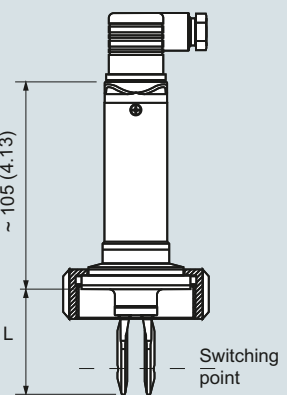
#### SITRANS LVL100 (extended, high temperature)

Bolting DIN 11851  
(valve plug DIN 43650)

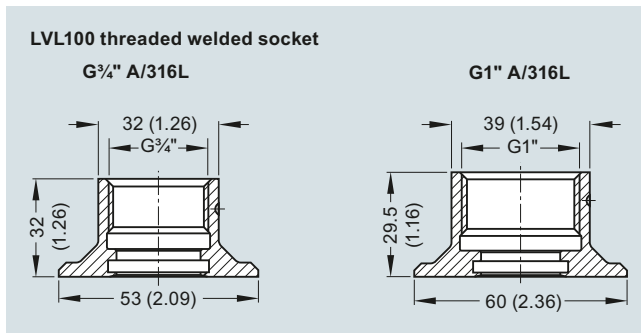
SMS 1145  
(valve plug DIN 43650)



L =  
Length with bolting: 53 (2.1)  
Length with SMS 1145: 53 (2)



SITRANS LVL100, dimensions in mm (inch)

**Options**

SITRANS LVL100 welded socket, dimensions in mm (inch)

# Level Measurement

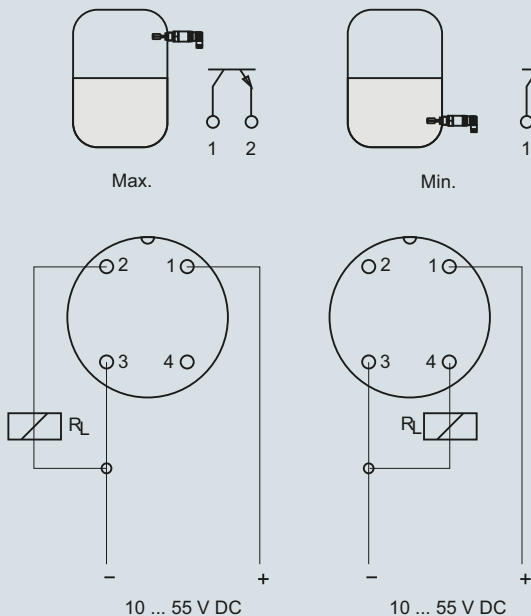
Point level measurement

Vibrating switches

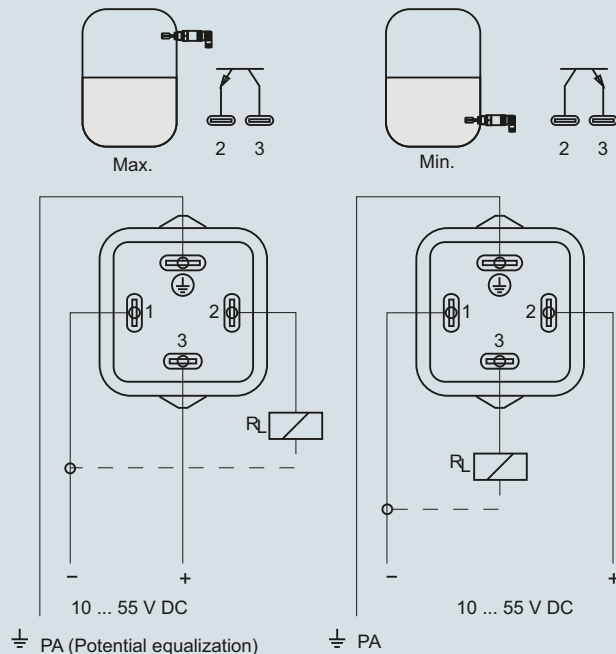
## SITRANS LVL100

### Circuit diagrams

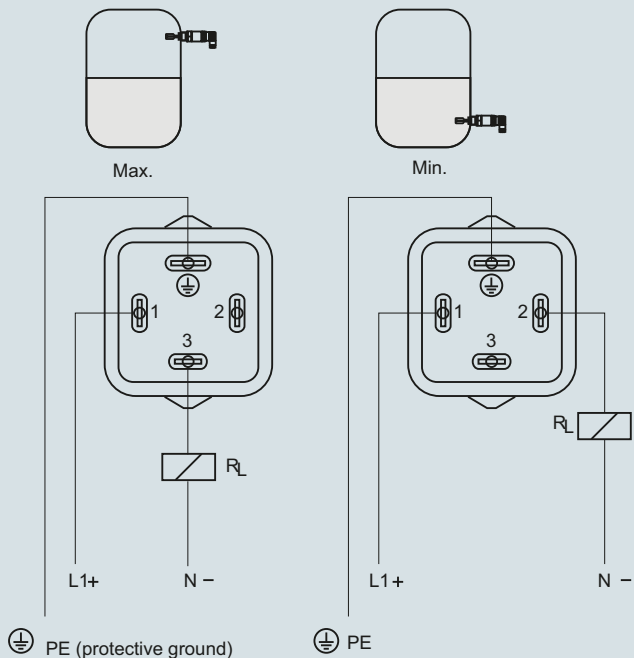
Transistor PNP (M12 x 1 plug connection)



Transistor PNP (with valve plug DIN 43650)



Contactless electronic switch (valve plug DIN 43650)



SITRANS LVL100 connections

4