

Data sheet

Manual setting and shut off knobs

Application



The setting knob is used to manually open and shut radiator valves.

The shut off knob is a tool designed to replace the radiator thermostat when removing a radiator with which is still pressurised.

Setting knobs are available in white and in chrome surface.

The setting knob fits all RA 2000 valve bodies. It is designed to a max. pressure of 1.000 kPa/0.6 bar.

Materials Knob: PBT
Socket: Polyamide

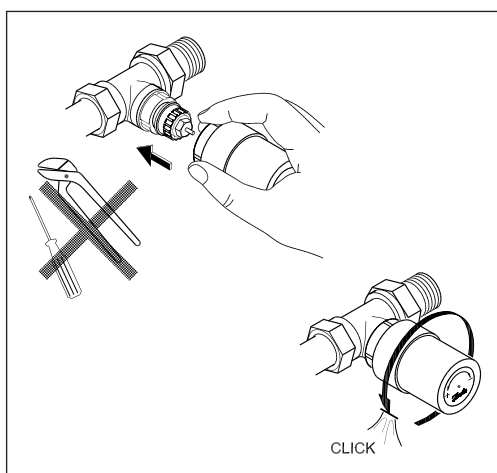
Material Brass, Ms 58

Ordering and technical data

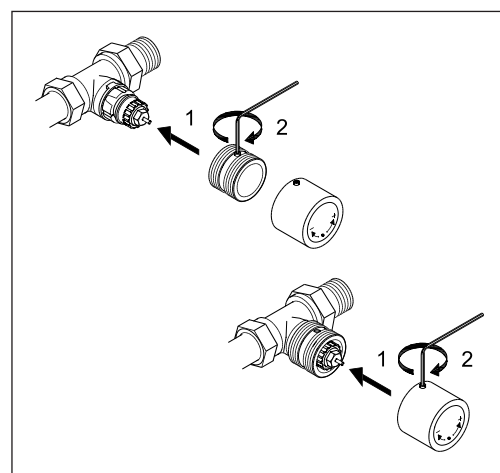
| Product type | Valve connection | Colour | Max. diff. pressure | Max. water temp. | Code no. |
|---|------------------|-----------------|---------------------|------------------|-----------------|
| Manual setting knob | Danfoss RA 2000 | White, RAL 9010 | 0.6 bar | 90 °C | 013G5002 |
| | M30 x 1.5 | White, RAL 9010 | 0.6 bar | 90 °C | 013G5003 |
| | Danfoss RTD | White, RAL 9010 | 0.6 bar | 90 °C | 013L5002 |
| | Danfoss RA 2000 | Chrome | 0.6 bar | 90 °C | |
| | M30 x 1.5 | Chrome | 0.6 bar | 90 °C | |
| | Danfoss RTD | Chrome | 0.6 bar | 90 °C | |
| Manual shut off knob for high pressure valves | Danfoss RA 2000 | Brass | 10 bar | 120 °C | 013G3300 |
| Manual shut off knob for high pressure valves | Danfoss RTD | Brass | 10 bar | 120 °C | 013G3305 |

Note! *Manual setting knobs offer no frost protection to the radiator. In order to control room temperature a radiator thermostat is required.*

Mounting

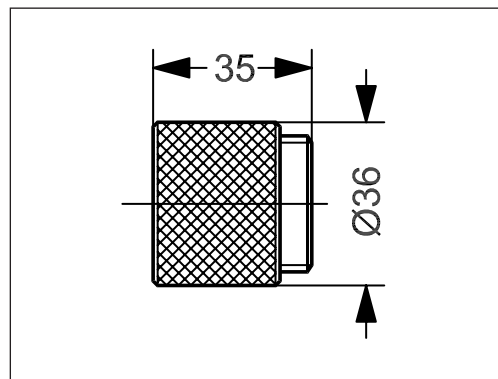
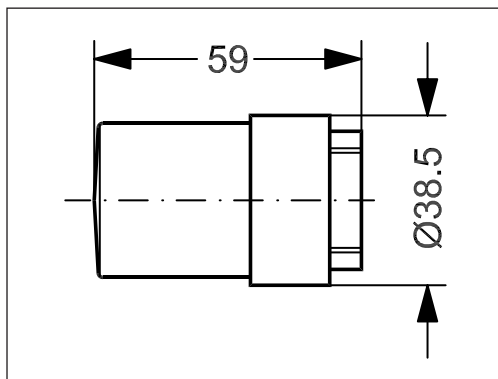


The knob snaps onto the valve eliminating the need for any mounting tool.



A 2 mm hexagonal screw ensures a stable attachment.

Dimensions



Danfoss can accept no responsibility for possible errors in catalogues, brochures and other printed material. Danfoss reserves the right to alter its products without notice. This also applies to products already on order provided that such alterations can be made without subsequential changes being necessary in specifications already agreed. All trademarks in this material are property of the respective companies. Danfoss and the Danfoss logotype are trademarks of Danfoss A/S. All rights reserved.