

## Tech note

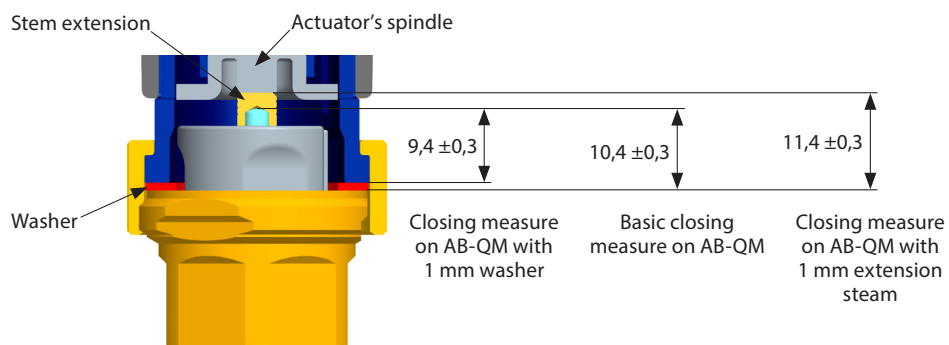
# Adapters for non-Danfoss actuators with M30×1,5 thread connection

### Ordering

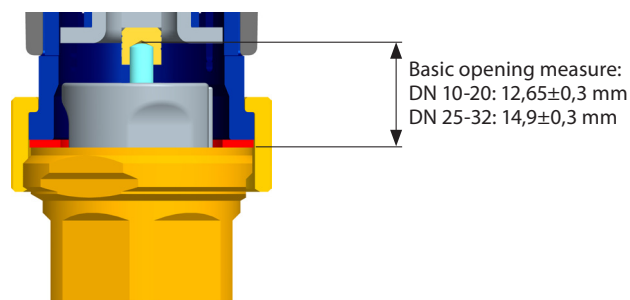
	Stem extension	Closing measure	Code No.
	0,5 mm	10,9 ±0,3	<b>003Z0246</b> (5 pieces)
	1,0 mm	11,4 ±0,3	<b>003Z0247</b> (5 pieces)
	1,5 mm	11,9 ±0,3	<b>003Z0248</b> (5 pieces)
	2,0 mm	12,4 ±0,3	<b>003Z0249</b> (5 pieces)
	1,0 mm	9,4 ±0,3	<b>003Z0257</b> (5 pieces)
	1,5 mm	8,9 ±0,3	<b>003Z0258</b> (5 pieces)

### Example:

#### Closing measure



#### Opening measure



Data for non-Danfoss actuators

Actuator	AB-QM DN 10-20	AB-QM DN 25-32
<b>Honeywell</b>		
M5410L1506	1,5 mm stem extension 003Z0248	1,5 mm stem extension 003Z0248
M5410L4500	1,5 mm stem extension 003Z0248	
M4450A1009T	1,5 mm stem extension 003Z0248	1,5 mm stem extension 003Z0248
<b>Johnson Controls</b>		
VA7450-####-03 (M30 x 1,5 connection !)	No adapters needed	No adapters needed <b>Only 60 % of the flow</b> (3,2 mm travel from actuator)
<b>Siemens</b>		
STA 21(71)	2 mm stem extension 003Z0249 + washer 003Z0257	2 mm stem extension 003Z0249 + washer 003Z0257 <b>Only 60 % of the flow</b>
SSA (M30 x 1,5 connection *)	No adapters needed	No adapters needed
SSD61U 0-10 V	No adapters needed, due to 1,5mm min stroke min pre-setting 70 %	No adapters needed, due to 1.5mm min stroke min pre-setting 40 %, 5 mm stroke (opens 100 %)
SSD61.5U 0-10 V (actuator has no DIP switch and works by default in inverse mode)	No adapters needed, due to 1,5mm min stroke min pre-setting 70 %	No adapters needed, due to 1.5mm min stroke min pre-setting 40 %, 5 mm stroke (opens 100 %)
<b>Sauter</b>		
AXT211F110 230 V on/off AXS2155F122 24 V 0-10 V	No adapters needed, move DIP switch 2 to ON to decrease stroke to 3,2 mm	No adapters needed, move DIP switch 2 to OFF in order to keep stroke at 4,5 mm (opens 100 %)
<b>Theben</b>		
CHEOPS control KNX	No adapters needed	No adapters needed, 7,5mm stroke (opens 100 %)

\* For modulating version (SSA61) settings on AB-QM DN 10-20 should be at least 70 %, while on AB-QM DN 25-32 at least 35 %. Those settings will allow stroke of 1,5 requested to calibrate (closing and full open position) the actuator.

In order to secure compatibility between valve and actuator it is recommended that actuator supplier is asked to provide exact definition of maximum stroke and lower & upper point relative to spindle- nut position of the actuator to be used.