

Data sheet

Micro Plate Heat Exchanger (MPHE): XB06

Description



Micro Plate Heat Exchangers - a revolutionary technology from Danfoss.

Characterized by their unique plate pattern, MPHEs enable heat to be transferred more efficient than any previous model of heat exchangers.

Benefits:

- Energy and cost savings
- Better heat transfer
- Lower pressure loss
- More flexible design
- Longer life time

more on:
MPHE.danfoss.com

XB06 is brazed heat exchanger, designed and configured for District Heating, District Cooling and other Heating applications.

Approval:
Pressure Equipment Directive (PED).

Ordering

1-pass heat exchanger **XB06 Cu**

Picture	No. of plates, n	Connection	XB06L-1	XB06H-1	XB06H+
			Code No.		
	8	Thread G 3/4	004B2024	004B2036	004B1206
	10		004B2025	004B2037	004B1207
	16		004B2026	004B2038	004B1209
	20		004B2027	004B2039	004B1211
	26		004B2028	004B2041	004B1212
	30		004B2029	004B2042	004B1214
	36		004B2030	004B2043	004B1216
	40		004B2031	004B2044	004B1217
	50		004B2032	004B2046	004B1219
	60		004B2033	004B2047	004B1221
	70		004B2034	004B2048	004B1222
	80		-	-	004B1223

1-pass heat exchanger **XB06 Cu + ¹⁾**

Picture	No. of plates, n	Connection	XB06L-1	XB06H-1
			Code No.	
	8	Thread G 3/4	004H4704	004H4692
	10		004H4705	004H4693
	16		004H4706	004H4694
	20		004H4707	004H4695
	26		004H4709	004H4697
	30		004H4710	004H4698
	36		004H4711	004H4699
	40		004H4712	004H4700
	50		004H4713	004H4701
	60		004H4714	004H4702
	70		004H4715	004H4703

¹⁾ Available on request

Ordering (continued)

1-pass heat exchanger **XB06 StS** ¹⁾

Picture	No. of plates, n	Connection	XB06L-1	XB06H-1
			Code No.	
	8	Thread G 3/4	004H4612	004H4600
	10		004H4613	004H4601
	16		004H4614	004H4602
	20		004H4615	004H4603
	26		004H4617	004H4605
	30		004H4618	004H4606
	36		004H4619	004H4607
	40		004H4620	004H4608
	50		004H4621	004H4609
	60		004H4622	004H4610
	70		004H4623	004H4611

¹⁾ Available on request

Accessories-Tailpieces

Picture	Description	Connection	Code No. ¹⁾
	Solder tailpieces	G 3/4/15 mm	004B2945
		G 3/4/18 mm	004B2946
	Weld-on tailpieces	G 3/4/DN 20	004B2944
	Threaded tailpieces	G 3/4/G 3/4	004B2947
		G 3/4/G 1	004B2953

¹⁾ One set contains 2 tailpieces with union nuts and gaskets

Accessories-Insulation XB06-1

Picture	No. of plates, n	Code No.
	8-26	004B1191
	30-40	004B1192
	50-70	004B1193

Accessories-Bracket

Picture	Code No.
	004B2948

Accessories-Insulation XB06H+

Picture	No. of plates, n	Code No.
	8-36	004B1191
	40-70	004B1192
	80	004B1193

Technical data

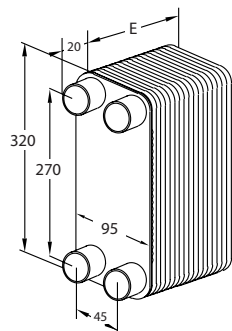
Type		XB06L-1	XB06H-1	XB06H+
Max. working pressure Cu	bar	25		
Max. working pressure Cu+		25	-	
Max. working pressure StS		16	-	
Min. / Max. temperature	°C	-10/180		
Flow medium		DH: Circulation water / glycolic water up to 50% DC: ethylene-, propylene-glycolic water, ethanol-water solutions and other suitable heat transfer media. (Please contact your Danfoss representative).		
Volume / Channel	Ltr	0,025	0,017	0,018
Connection type		Cylindrical external thread acc. to DIN ISO 228/1		
Connection size		G 3/4		
Weight	kg	0,67 + 0,08 × n		0,6 + 0,07 × n
Materials				
Plate		Stainless steel, mat. no. 1.4404		
Brazing		Copper (Cu); Copper-Nickel (Cu+) ¹⁾ ; Stainless steel (StS) ¹⁾		

¹⁾ Available on request

Insulation

Type		PU (Polyurethane)
Wall thickness	mm	20
Heat conductivity, λ	W/mK	0,035
Max temperature	Permanent	130
	Short term peak	160

Dimension

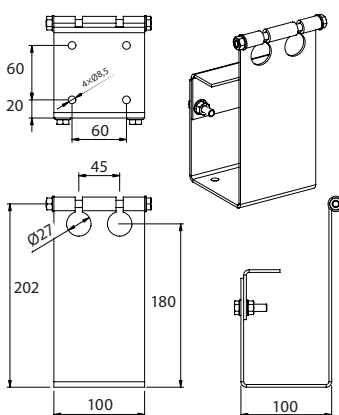


Type	Connection	E (mm)	Weight empty (kg)
XB06 L-...	G ¾ ¹⁾	7 + 1,6 × n	0,67 + n × 0,08
XB06 H-...		7 + 1,25 × n	
XB06H+ ...		7 + 0,95 × n	

n = number of plates

¹⁾ Cylindrical external thread acc. to DIN ISO 228/1

Mounting brackets



Insulation XB06-1

No. of plates	mm			Code No.
	A	B	E	
8-26	368	140	98	004B1191
30-40		145	138	004B1192
50-70		150	168	004B1193

Insulation XB06H+

No. of plates	mm			Code No.
	A	B	E	
8-36	368	140	98	004B1191
40-70		145	138	004B1192
80		150	168	004B1193

Tailpieces

Picture	Description	Connection	a	b	SW ¹⁾	Code No.
			mm			
	Solder tailpieces	G ¾ / 15 mm	15	35	32	004B2945
		G ¾ / 18 mm	18	35	32	004B2946
	Weld-on tailpieces	G ¾ / DN 20	21,2	35	32	004B2944
	Threaded tailpieces	G ¾ / G ¾	¾"	40	32	004B2947
		G ¾ / G 1	1"	22	32	004B2953

¹⁾ Union nut, width across flats

