

## Data sheet

# Micro Plate Heat Exchanger (MPHE): XB06

### Description



Micro Plate Heat Exchangers - a revolutionary technology from Danfoss. Characterized by their unique plate pattern, MPHEs enable heat to be transferred more efficient than any previous model of heat exchangers.

#### Benefits:

- Energy and cost savings
- Better heat transfer
- Lower pressure loss
- More flexible design
- Longer life time

more on:  
[MPHE.danfoss.com](http://MPHE.danfoss.com)

XB 06 is copper brazed heat exchanger, designed and configured for District Heating, District Cooling and other Heating applications.

#### Approval:

Pressure Equipment Directive (PED) 97/23/EC.

### Ordering

#### 1-pass heat exchanger XB 06

Picture	No. of plates, n	Connection	XB 06L-1	XB 06H-1	XB 06H+
			Code No.		
	8	Thread G 3/4 A	004B2024	004B2036	004B1206
	10		004B2025	004B2037	004B1207
	16		004B2026	004B2038	004B1209
	20		004B2027	004B2039	004B1211
	26		004B2028	004B2041	004B1212
	30		004B2029	004B2042	004B1214
	36		004B2030	004B2043	004B1216
	40		004B2031	004B2044	004B1217
	50		004B2032	004B2046	004B1219
	60		004B2033	004B2047	004B1221
	70		004B2034	004B2048	004B1222
	80		-	-	004B1223

**Ordering (continued)**
**Accessories-Tailpieces**

Picture	Description	Connection	Code No. <sup>1)</sup>
	Solder tailpieces	G 3/4 A/15 mm	<b>004B2945</b>
		G 3/4 A/18 mm	<b>004B2946</b>
	Weld-on tailpieces	G 3/4 A/DN 20	<b>004B2944</b>
	Threaded tailpieces	G 3/4 A/G 3/4 A	<b>004B2947</b>
		G 3/4 A/G 1 A	<b>004B2953</b>

<sup>1)</sup> One set contains 2 tailpieces with union nuts and gaskets

**Accessories-Insulation XB 06-1**

Picture	No. of plates, n	Code No.
	8-26	<b>004B1191</b>
	30-40	<b>004B1192</b>
	50-70	<b>004B1193</b>

**Accessories-Bracket**

Picture	Code No.
	<b>004B2948</b>

**Accessories-Insulation XB 06H+**

Picture	No. of plates, n	Code No.
	8-36	<b>004B1191</b>
	40-70	<b>004B1192</b>
	80	<b>004B1193</b>

**Technical data**

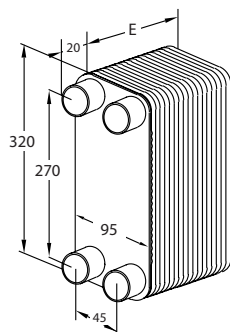
Type		XB 06L-1	XB 06H-1	XB 06H+
Max. working pressure	bar	25 (16) <sup>1)</sup>		25
Min. / Max. temperature	°C	-10/180		
Flow medium		DH: Circulation water / glycolic water up to 50% DC: ethylene-, propylene-glycolic water, ethanol-water solutions and other suitable heat transfer media. (Please contact your Danfoss representative).		
Volume / Channel	Ltr	0,034	0,023	0,018
Connection type		Cylindrical external thread acc. to DIN ISO 228/1		
Connection size		G 3/4 A		
Weight	kg	0,67 + 0,08 × n		0,6 + 0,07 × n
<b>Materials</b>				
Plate		Stainless steel, mat. no. 1.4404		
Brazing		Copper		

**Insulation**

Type		PU (Polyurethane)	
Wall thickness	mm	20	
Heatconductivity, λ	W/mK	0,035	
Max temperature	Permanent	°C	130
	Short term peak		160

<sup>1)</sup> 16 bar versions are available on enquiry

Dimension

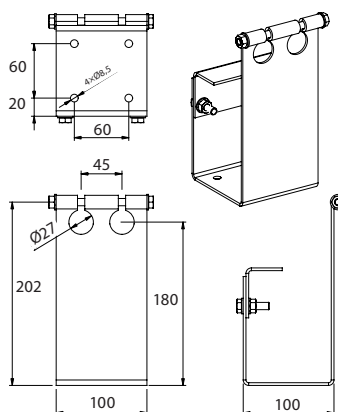


Type	Connection	E (mm)	Weight empty (kg)
XB 06 L-...	G 3/4 A <sup>1)</sup>	$7 + 1,6 \times n$	$0,67 + n \times 0,08$
XB 06 H-...		$7 + 1,25 \times n$	
XB 06H+ ...		$7 + 0,95 \times n$	$0,6 + n \times 0,07$

*n* = number of plates

<sup>1)</sup> Cylindrical external thread acc. to DIN ISO 228/1

Mounting brackets

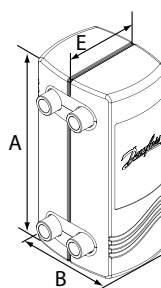


Insulation XB 06-1

No. of plates	A B E			Code No.
	mm			
8-26	368	140	98	004B1191
30-40		145	138	004B1192
50-70		150	168	004B1193

Insulation XB 06H+

No. of plates	A B E			Code No.
	mm			
8-36	368	140	98	004B1191
40-70		145	138	004B1192
80		150	168	004B1193



Tailpieces

Picture	Description	Connection	a	b	SW <sup>1)</sup>	Code No.
			mm			
	Solder tailpieces	G 3/4 A / 15 mm	15	35	32	004B2945
		G 3/4 A / 18 mm	18	35	32	004B2946
	Weld-on tailpieces	G 3/4 A / DN 20	21,2	35	32	004B2944
	Threaded tailpieces	G 3/4 A / G 3/4 A	3/4"	40	32	004B2947
		G 3/4 A / G 1 A	1"	22	32	004B2953

<sup>1)</sup> Union nut, width across flats

