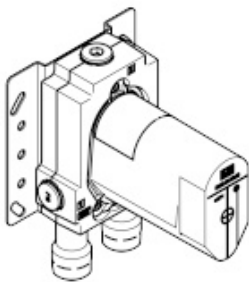
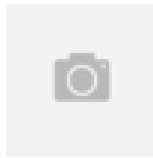


**Bath - Series-*various***  
**Concealed single-lever mixer -**  
**Article number: 35 020 970 90**

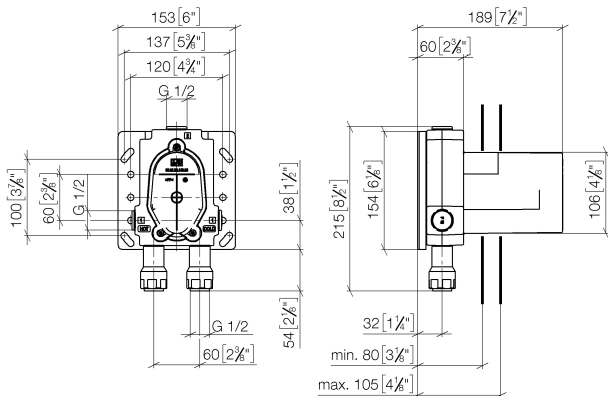


- lead-free, dezincification resistant
- 2x back flow preventer
- 3x outlet G 1/2"
- 2x female thread 1/2" connections
- 2x integrated supply stop
- dust cover
- anti-water packing
- sound and thermal insulation
- gauge 60 mm
- WRAS: 1703016
- Fittings group as per DIN 4109: 1



**Dimensional drawing**

mm [inches]

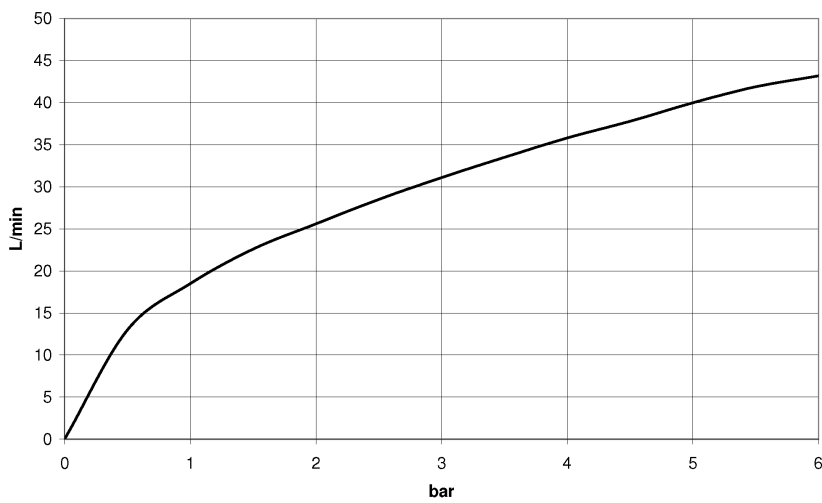




**Bath - Series-various**  
**Concealed single-lever mixer -**  
**Article number: 35 020 970 90**

All details in mm / inch = mm x 0.0394

**Flow rate chart**



**Other finish variants**

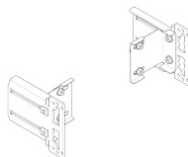
Other finishes on request (x-tra Service)



**12 190 970 90**  
Extension 25 mm -



**12 191 970 90**  
Extension 25 mm -

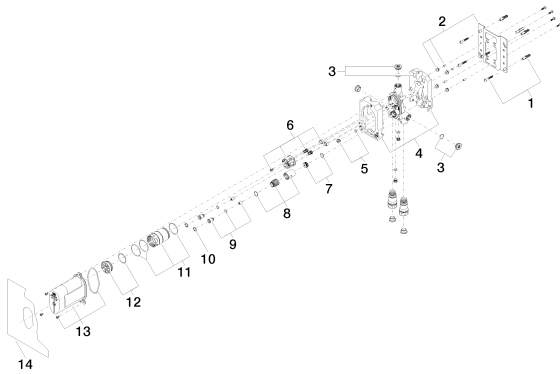


**12 340 970 90**  
xGRID Attachment set for  
integrating in the dry wall  
construction -



Bath - Series- various  
Concealed single-lever mixer -  
Article number: 35 020 970 90

## Spare parts list



No.	Item Number	Name	Quantity used
1	04 30 31 024 01 90	fixing set	2
2	04 17 20 128 00 90	holder	1
3	04 31 20 006 00 90	plug	2
4	09 11 11 058 90	accessories	1
5	04 31 20 039 10 90	plug	1
6	90 18 40 151 00 90	insert	1
7	90 31 20 098 00 90	plug	1
8	90 17 01 189 00 90	sleeve	1
9	04 24 03 223 00 90	insert	2
10	09 16 01 014 90	ring	2
11	90 17 01 187 00 90	sleeve	1
12	04 31 20 100 00 90	plug	1
13	90 21 02 148 00 90	cap	1
14	04 14 03 155 00 90	gasket kit	1