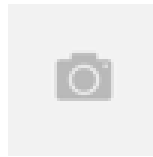
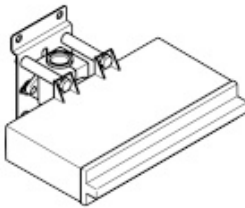


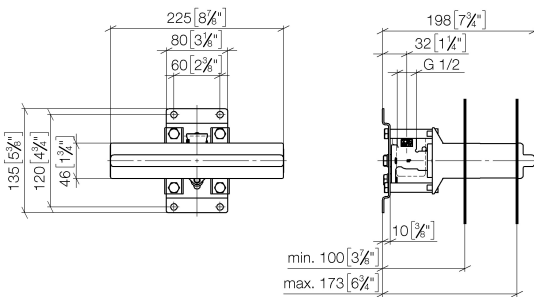
Shower - Concealed products  
 Concealed wall installation box -  
 Article number: 35 206 970 90

- female thread 1/2" connection
- dust cover
- anti-water packing
- Fittings group as per DIN 4109: 1



Dimensional drawing

mm [inches]



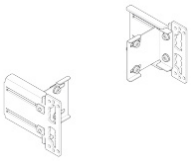
All details in mm / inch = mm x 0.0394



Shower - Concealed products  
Concealed wall installation box -  
Article number: 35 206 970 90

## Other finish variants

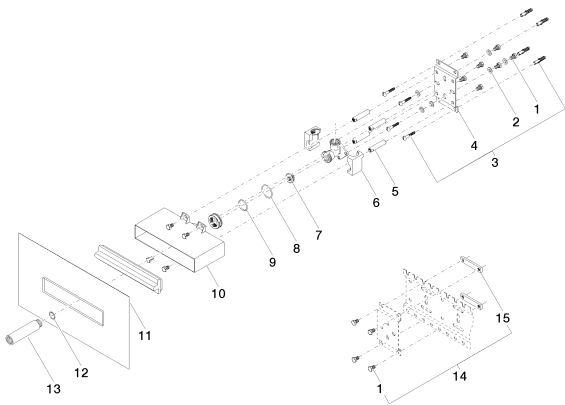
Other finishes on request (x-tra Service)



12 340 970 90

xGRID Attachment set for  
integrating in the dry wall  
construction -

Shower - Concealed products  
 Concealed wall installation box -  
 Article number: 35 206 970 90



### Spare parts list

No.	Item Number	Name	Quantity used
1	09 30 30 152 90	screw	15
2	09 30 11 139 90	disc	6
3	04 30 31 024 01 90	fixing set	2
4	09 17 20 094 90	holder	1
5	09 18 40 138 90	sleeve	1
6	09 11 11 036 90	accessories	1
7	04 31 20 006 00 90	plug	1
8	09 14 10 149 90	seal	1
9	09 14 10 118 90	seal	1
10	09 11 11 053 90	accessories	1
11	04 14 03 126 00 90	gasket kit	1
12	09 14 10 010 90	seal	1
13	09 24 03 169 10 90	adaptor	1
14	04 17 20 100 00 90	fixing set	1
15	09 17 20 100 90	holder	2