



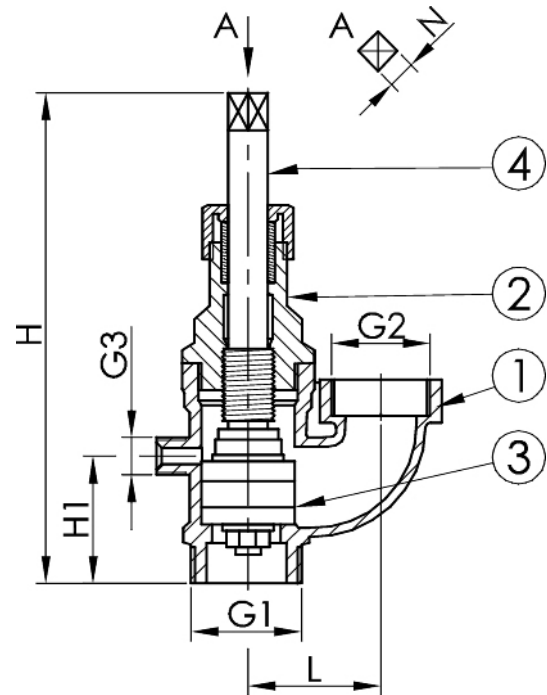
Globe valve 314222

DESCRIPTION

In closed position the downwards flow is drained. The valve must be either fully opened or fully closed.

No.	Part	Material
1	Body	(DN 40-50) Bronze CC491K (RG5)
2	Bonnet	(DN 20-32) Bronze CC493K (RG7) (DN 40-50) Bronze CC491K (RG5)
3	Disc ring	PTFE/Leather
4	Stem	Special brass CW710R (SoMs59)

DN	Max. working pressure (bar) Up to 30°C
20-50	16



DN	Pressure rating	G1 (BSP)	G2	G3	L	H	H1	N	Kg
20	PN 16	G 3/4"	G 1/4"	3/8"	38	150	38	9	0,6
25	PN 16	G 1"	G 1"	3/8"	45	170	42	10	0,9
32	PN 16	G 1 1/4"	G 1 1/4"	3/8"	55	195	54	11	1,4
40	PN 16	G 1 1/2"	G 1 1/2"	3/8"	60	250	60	12	2,3
50	PN 16	G 2"	G 2"	3/8"	80	255	68	12	3,2

All measurements in mm. Weights are approximations.