



Check valve 470022

DESCRIPTION

Check valve, non closeable. Straight type with female screwed ends. Screwed bonnet, metal sealing and spring. For horizontal and vertical (upwards flow) installation.

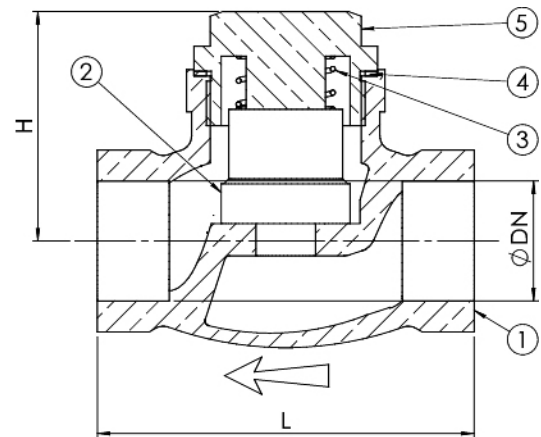
APPLICATION

Liquids, steam and gases that do not attack the integral material.



No.	Part	Material
1	Body	Bronze CC491K (RG5)
2	Disc	(DN 10-50) Bronze CC493K (RG7) (DN 65-80) Bronze CC491K (RG5)
3	Spring	Stainless steel 1.4571 (AISI 316Ti)
4	Sealing	PTFE
5	Blind plug	(DN 10-32) Special brass CW710R (SoMs59) (DN 40-80) Bronze CC491K (RG5)

DN	Max. working pressure (bar)	
	up to 120°C	225°C (steam up to 180°C)
10-80	16	10



DN	Connection (BSP)	Pressure rating	L	H	Kg
10	G 3/8"	PN 16	60	40	0,3
15	G 1/2"	PN 16	65	40	0,4
20	G 3/4"	PN 16	75	50	0,5
25	G 1"	PN 16	90	50	0,9
32	G 1 1/4"	PN 16	105	60	1,3
40	G 1 1/2"	PN 16	120	65	1,9
50	G 2"	PN 16	145	75	3
65	G 2 1/2"	PN 16	170	90	5,8
80	G 3"	PN 16	200	100	7,3

All measurements in mm. Weights are approximations.