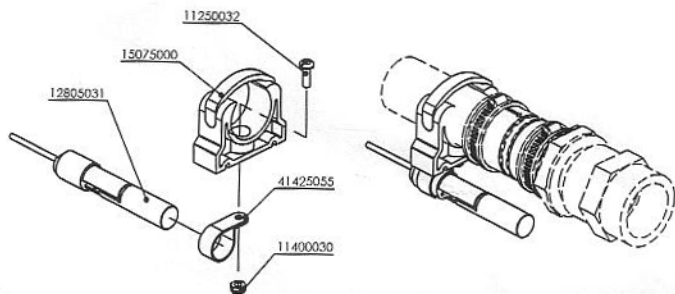
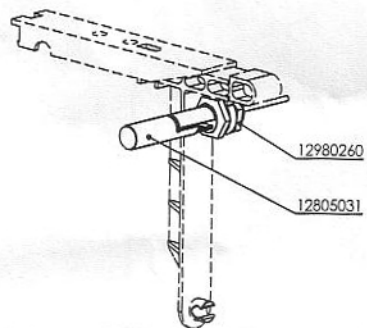


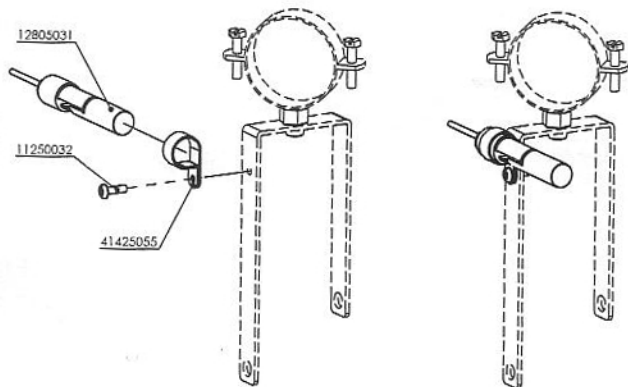
## NIROLIFT



## NIROLIFT - ROB200 N/KS (01135074)



## SANISETT



## SANIMAX

