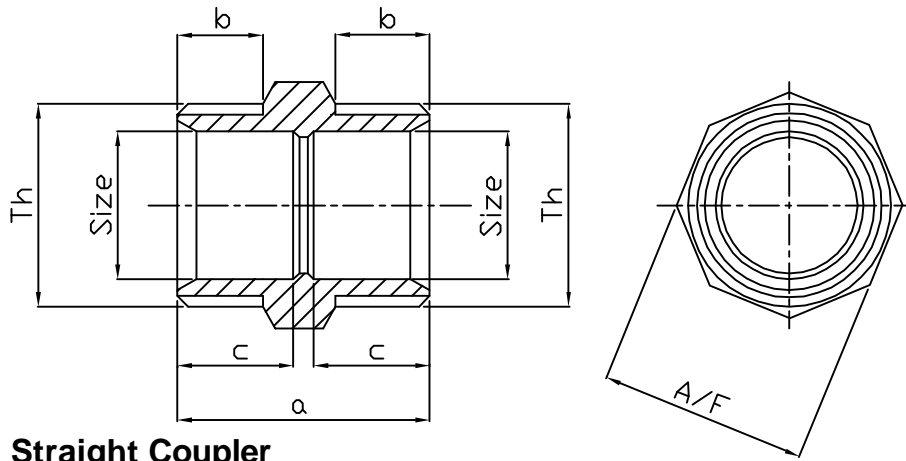


P901DR Rak Koppling CuxCu



Straight Coupler
Cu x Cu

Product Code	Size	a	b	c	Th 1	A/F
P901DR.02	8	20.75	8	7	1/4" B.S.P	14 (Hexagon)
P901DR.03	10	23.4	8.7	9	3/8" B.S.P	17 (Hexagon)
P901DR.04	12	23.4	8.7	9	3/8" B.S.P	17 (Hexagon)
P901DR.05	15	25	9.5	11.5	1/2" B.S.P	21.5 (Octagon)
P901DR.07	18	28.4	10.7	12.5	∅23.8 x 14 T.P.I Whit	26 (Hexagon)
P901DR.08	22	26.5	9.5	11.75	1 1/8" x 14 T.P.I Whit	29 (Octagon)
P901DR.09	28	28	11	13	∅35.0 x 14 T.P.I Whit	35 (Octagon)
P901DR.10	35	34	13.5	15.5	∅42.42 x 14 T.P.I Whit	44 (Octagon)
P901DR.11	42	39	15.5	18.2	∅49.022 x 14 T.P.I Whit	51 (Octagon)
P901DR.12	54	38.5	15.5	17.5	∅69.69 x 14 T.P.I Whit	66.7 (Octagon)



TO BE USED FOR REFERENCE ONLY

First Angle Projection

PRODUCT MARKING =

Flowflex reserve the right to alter the product ranges and specifications contained in this drawing without prior notice

Drawing Reference No P901DR Matrix