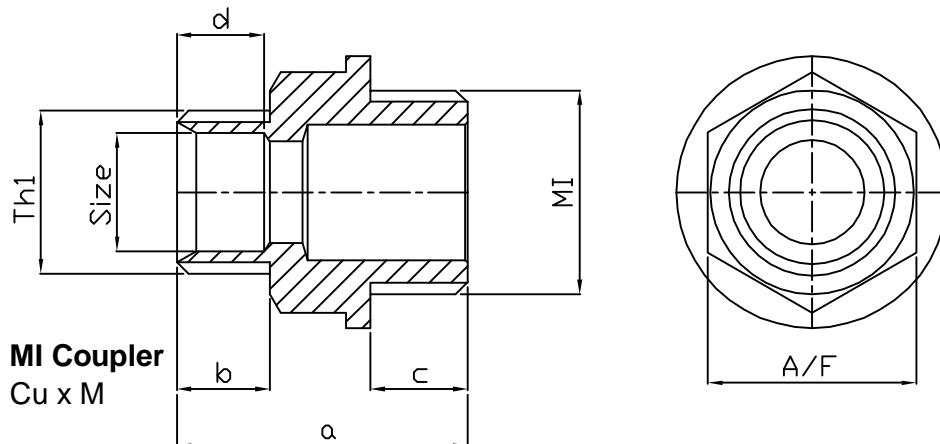


# P902DR Rak Koppling Förminskad Cuxutv gg



Product Code	Size	MI	a	b	c	d	A/F	Th 1
P902DR.04	8	1/4" B.S.P	21.7	8	8.7	7	17 (Hexagon)	1/4" B.S.P
P902DR.05	8	3/8" B.S.P	23	8	10	7	19 (Hexagon)	1/4" B.S.P
P902DR.06	8	1/2" B.S.P	24.5	8	10.5	7	24 (Hexagon)	1/4" B.S.P
P902DR.08	10	3/8" B.S.P	23.7	8.7	10	9	19 (Hexagon)	3/8" B.S.P
P902DR.09	10	1/2" B.S.P	29	9.5	9.5	9	21.5 (Hexagon)	3/8" B.S.P
P902DR.11	12	3/8" B.S.P	23.7	8.7	10	9	19 (Hexagon)	3/8" B.S.P
P902DR.12	12	1/2" B.S.P	29	9.5	9.5	9	21.5 (Hexagon)	3/8" B.S.P
P902DR.14	15	3/8" B.S.P	24.7	9.5	9.7	12.4	21 (Hexagon)	3/8" B.S.P
P902DR.15	15	1/2" B.S.P	29	9.5	9.5	12.7	21.5 (Hexagon)	1/2" B.S.P
P902DR.17	15	3/4" B.S.P	29	9.5	11.25	11.5	30 (Hexagon)	1/2" B.S.P
P902DR.176	16	1/2" B.S.P	29	9.5	11.25	11.5	30 (Hexagon)	1/2" B.S.P
P902DR.18	18	1/2" B.S.P	28.5	9.5	9.5	13.5	29 (Octagon)	ø23.8 x 14 T.P.I Whit
P902DR.19	18	3/4" B.S.P	29	9.5	11.25	11.5	30 (Hexagon)	ø23.8 x 14 T.P.I Whit
P902DR.20	22	1/2" B.S.P	28.5	9.5	9.5	13	29 (Octagon)	1 1/8" x 14 T.P.I Whit
P902DR.21	22	3/4" B.S.P	29	9.5	11.25	14	30 (Hexagon)	1 1/8" x 14 T.P.I Whit
P902DR.22	22	1" B.S.P	32	9.5	12.5	13.5	35.5 (Hexagon)	1 1/8" x 14 T.P.I Whit
P902DR.221	28	3/4" B.S.P	30.75	11	11.25	12	35.5 (Hexagon)	ø35 x 14 T.P.I Whit
P902DR.23	28	1" B.S.P	32.45	11	12.7	12	35.5 (Hexagon)	ø35 x 14 T.P.I Whit
P902DR.235	35	1" B.S.P	35.7	13.5	13.2	15.5	47 (Hexagon)	ø42.42 x 14 T.P.I Whit
P902DR.24	35	1 1/4" B.S.P	37.3	13.5	14.8	15.5	47 (Hexagon)	ø42.42 x 14 T.P.I Whit
P902DR.25	42	1 1/2" B.S.P	41.5	15.5	15.5	18.2	51 (Octagon)	ø49.022 x 14 T.P.I Whit
P902DR.26	54	2" B.S.P	46	15.5	17.5	22.4	66.6 (Octagon)	ø62.69 x 14 T.P.I Whit



TO BE USED FOR REFERENCE ONLY

First Angle Projection

PRODUCT MARKING =

Flowflex reserve the right to alter the product ranges and specifications contained in this drawing without prior notice Drawing Reference No P902DR Matrix