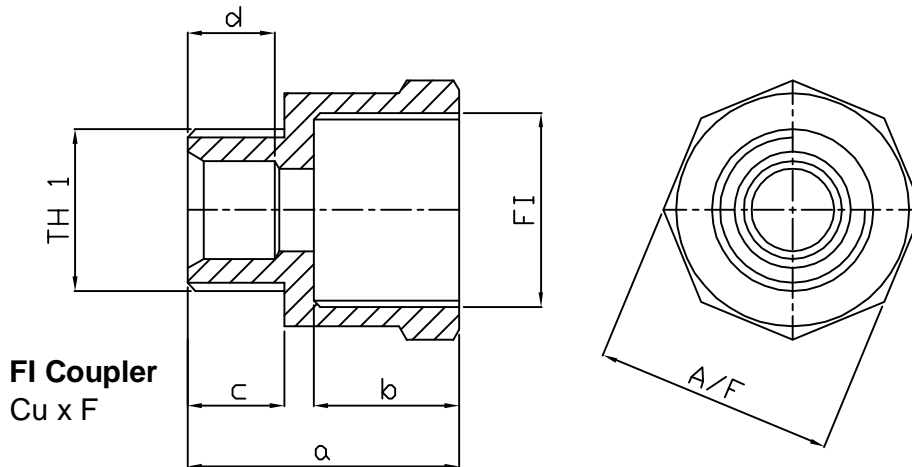


P903DR Rak Koppling Förminskad Cuxinv gg



FI Coupler
Cu x F

Product Code	Size	Fl	a	b	c	d	A/F	Th 1
P903DR.01	8	1/4" B.S.P	25	13	8	7	17 (Hexagon)	1/4" B.S.P
P903DR.02	8	3/8" B.S.P	25	14	8	7	21 (Hexagon)	1/4" B.S.P
P903DR.03	8	1/2" B.S.P	30	17	8	7	24.7 (Octagon)	1/4" B.S.P
P903DR.05	10	3/8" B.S.P	26	14	8.7	9	21 (Hexagon)	3/8" B.S.P
P903DR.06	10	1/2" B.S.P	27.5	15.5	8.7	9	24.7 (Octagon)	3/8" B.S.P
P903DR.08	12	3/8" B.S.P	26	14	8.7	9	21 (Hexagon)	3/8" B.S.P
P903DR.09	12	1/2" B.S.P	27.5	15.5	8.7	9.5	24.7 (Octagon)	1/2" B.S.P
P903DR.11	15	3/8" B.S.P	26.5	13	9.5	11.5	21.5 (Octagon)	1/2" B.S.P
P903DR.12	15	1/2" B.S.P	29.3	15.5	9.5	12.4	25 (Octagon)	1/2" B.S.P
P903DR.14	15	3/4" B.S.P	32	19	9.5	11.4	31.75 (Hexagon)	1/2" B.S.P
P903DR.145	16	1/2" B.S.P	29.5	15.5	11	12.7	25 (Octagon)	1/2" B.S.P
P903DR.15	18	1/2" B.S.P	31.5	18	9.5	12	29 (Octagon)	ø23.8 x 14 T.P.I Whit
P903DR.16	18	3/4" B.S.P	32.7	18.5	9.5	12.7	31.75 (Octagon)	ø23.8 x 14 T.P.I Whit
P903DR.17	22	1/2" B.S.P	32.5	18	9.5	11.75	29 (Octagon)	1 1/8" x 14 T.P.I Whit
P903DR.18	22	3/4" B.S.P	33.5	18.5	9.5	13	31.75 (Octagon)	1 1/8" x 14 T.P.I Whit
P903DR.19	22	1" B.S.P	37	21	9.5	13.75	37.75 (Hexagon)	1 1/8" x 14 T.P.I Whit
P903DR.195	28	3/4" B.S.P	36.5	19	11	12	37.75 (Hexagon)	ø35 x 14 T.P.I Whit
P903DR.20	28	1" B.S.P	36.5	21	11	12	37.75 (Hexagon)	ø35 x 14 T.P.I Whit
P903DR.202	35	1" B.S.P	45	21	16.5	18.7	46.5 (Hexagon)	ø42.42 x 14 T.P.I Whit
P903DR.21	35	1 1/4" B.S.P	42	23.5	13.5	15.5	46.5 (Hexagon)	ø42.42 x 14 T.P.I Whit
P903DR.22	42	1 1/4" B.S.P	46	24	15.5	18.2	54 (Octagon)	ø49.022 x 14 T.P.I Whit
P903DR.23	54	2" B.S.P	50	28	16	19	68.6 (Octagon)	ø62.69 x 14 T.P.I Whit



TO BE USED FOR REFERENCE ONLY

First Angle Projection

PRODUCT MARKING = 

Flowflex reserve the right to alter the product ranges and specifications contained in this drawing without prior notice
Drawing Reference No P903DR Matrix