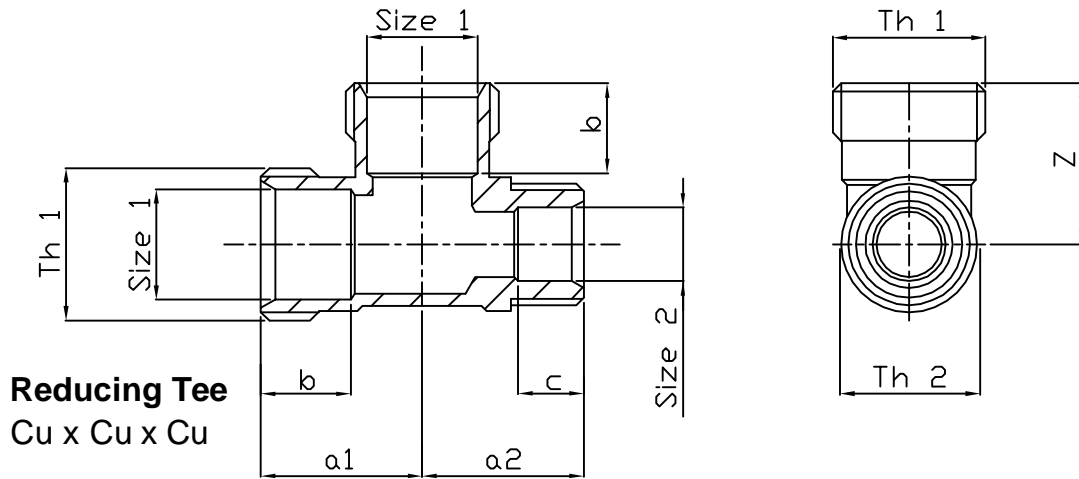


P703DR T-Koppling Förminskad $Cu \times Cu \times Cu$

(Tee with Reduced End)



Product Code	Size 1	Size 2	a1 / a2	b	c	Z	Th 1	Th 2
P703DR.0120	12	10	19 / 19	9.5	9.5	19	3/8" B.S.P	3/8" B.S.P
P703DR.123	15	10	20.7 / 20.7	12.7	9	20.7	1/2" B.S.P	3/8" B.S.P
P703DR.124	15	12	20.7 / 20.7	12.7	9	20.7	1/2" B.S.P	3/8" B.S.P
P703DR.130	18	12	23 / 23	12.7	9	23	ø23.8 x 14 T.P.I Whit	3/8" B.S.P
P703DR.135	18	15	23 / 23	12.7	9	23	ø23.8 x 14 T.P.I Whit	3/8" B.S.P
P703DR.137	22	12	27 / 25	13.5	9	26	1 1/8" x 14 T.P.I Whit	3/8" B.S.P
P703DR.15	22	15	27 / 25	13.5	12.7	27	1 1/8" x 14 T.P.I Whit	1/2" B.S.P
P703DR.163	22	18	25 / 25	13.5	12.7	25	1 1/8" x 14 T.P.I Whit	ø23.8 x 14 T.P.I Whit
P703DR.17	28	15	33 / 33	13.5	12.7	33	ø35.0 x 14 T.P.I Whit	1/2" B.S.P
P703DR.18	28	22	32 / 31.5	15.6	13.5	32	ø35.0 x 14 T.P.I Whit	1 1/8" x 14 T.P.I Whit



TO BE USED FOR REFERENCE ONLY
Third Angle Projection

PRODUCT MARKING =

Flowflex reserve the right to alter the product ranges and specifications contained in this drawing without prior notice

Drawing Reference No P703DR Matrix