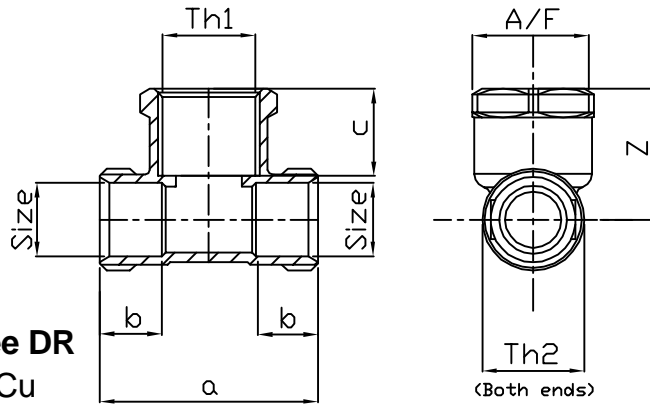


P717DR T-koppling Cuxinv ggxCu



Female Tee DR
Cu x Cu x Cu

Product Code	Size	Th1	a	b	c	Z	Th2
P717DR.03	12	3/8" B.S.P	54	12.7	14	28	3/8" B.S.P
P717DR.06	12	1/2" B.S.P	45	10	18	27	3/8" B.S.P
P717DR.08	15	3/8" B.S.P	45	12.7	18	27	1/2" B.S.P
P717DR.1	15	1/2" B.S.P	45	12.7	18	27	1/2" B.S.P
P717DR.17	18	1/2" B.S.P	49.5	12.7	18	33	∅23.8 x 14 T.P.I Whit
P717DR.2	22	1/2" B.S.P	51	14	18	29.5	1 1/8" x 14 T.P.I Whit
P717DR.3	22	3/4" B.S.P	59	14	19	32.5	1 1/8" x 14 T.P.I Whit
P717DR.4	28	1" B.S.P	67	13.5	21	38	∅35 x 14 T.P.I Whit



TO BE USED FOR REFERENCE ONLY

PRODUCT MARKING =

Flowflex reserve the right to alter the product ranges and specifications contained in this drawing without prior notice

Drawing Reference No P717DR Matrix