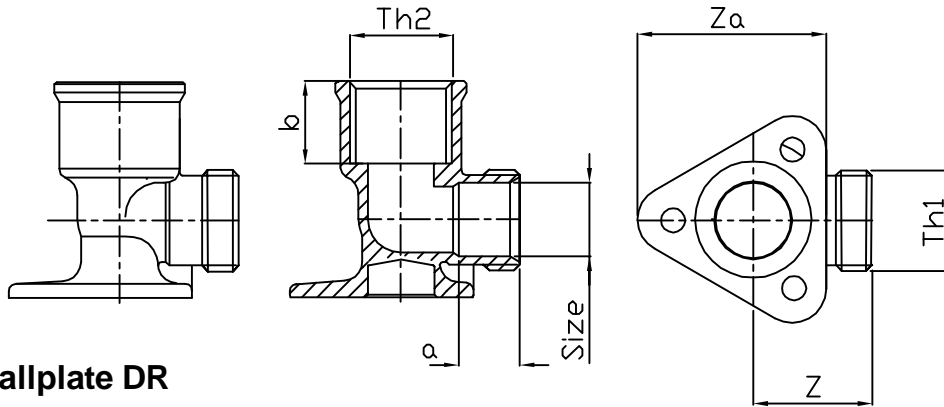


# P803WPDR Ventilfäste



**Wallplate DR**  
Cu x F

Product Code	Size	Th1	Th2	a	b	Z	Za
P803WPDR.045	12	3/8" B.S.P	3/8" B.S.P	12.7	14	24.5	36.5
P803WPDR.05	12	3/8" B.S.P	1/2" B.S.P	12.7	17	24.5	36.5
P803WPDR.2	15	1/2" B.S.P	1/2" B.S.P	12.4	17	24.5	36.5
P803WPDR.5	22	1 1/8" x 14 T.P.I Whit	3/4" B.S.P	13	17	28.5	48.6



TO BE USED FOR REFERENCE ONLY

**FLOWFLEX**

PRODUCT MARKING =

Flowflex reserve the right to alter the product ranges and specifications contained in this drawing without prior notice

Drawing Reference No P803wpDR Matrix