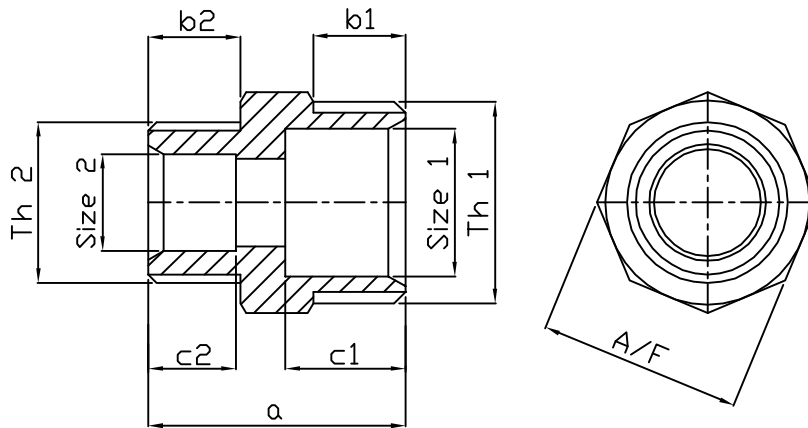


P901DR Rak Koppling Förminskad Cu x Cu



Reducing Coupler
Cu x Cu

Product Code	Size 1	Size 2	a	c1 / c2	b1 / b2	A/F	Th 1	Th 2
P901DR.14	10	8	22.2	9 / 7	8.7 / 8	17 (Hexagon)	3/8" B.S.P	1/4" B.S.P
P901DR.15	12	8	22.2	9 / 7	8.7 / 8	17 (Hexagon)	3/8" B.S.P	1/4" B.S.P
P901DR.16	12	10	22.9	9 / 9	8.7 / 8.7	17 (Hexagon)	3/8" B.S.P	3/8" B.S.P
P901DR.17	15	8	23.5	12.4 / 7	9.5 / 8	21 (Octagon)	1/2" B.S.P	1/4" B.S.P
P901DR.18	15	10	25	12.4 / 9	9.5 / 9.5	21 (Octagon)	1/2" B.S.P	3/8" B.S.P
P901DR.19	15	12	25	12.4 / 9	9.5 / 9.5	21 (Octagon)	1/2" B.S.P	3/8" B.S.P
P901DR.1907	15	16	25	12.4 / 12.4	9.5 / 9.5	21 (Octagon)	1/2" B.S.P	1/2" B.S.P
P901DR.1921	18	12	25.4	12.4 / 9	10.7 / 8.7	24 (Hexagon)	ø23.8 x 14 T.P.I Whit	3/8" B.S.P
P901DR.193	18	15	27.2	12.4 / 12.4	10.7 / 9.5	24 (Hexagon)	ø23.8 x 14 T.P.I Whit	1/2" B.S.P
P901DR.197	20	18	30	14 / 12.7	12 / 12	27 (Hexagon)	3/4" B.S.P	ø23.8 x 14 T.P.I Whit
P901DR.20	22	15	26.5	13 / 11	9.5 / 9.5	29 (Octagon)	1 1/8" x 14 T.P.I Whit	1/2" B.S.P
P901DR.22	28	22	29	13.5 / 13.5	11.5 / 9.5	35.7 (Hexagon)	ø35.0 x 14 T.P.I Whit	1 1/8" x 14 T.P.I Whit



TO BE USED FOR REFERENCE ONLY

First Angle Projection

FLOWFLEX

PRODUCT MARKING =

Flowflex reserve the right to alter the product ranges and specifications contained in this drawing without prior notice
Drawing Reference No P901DR—red Matrix