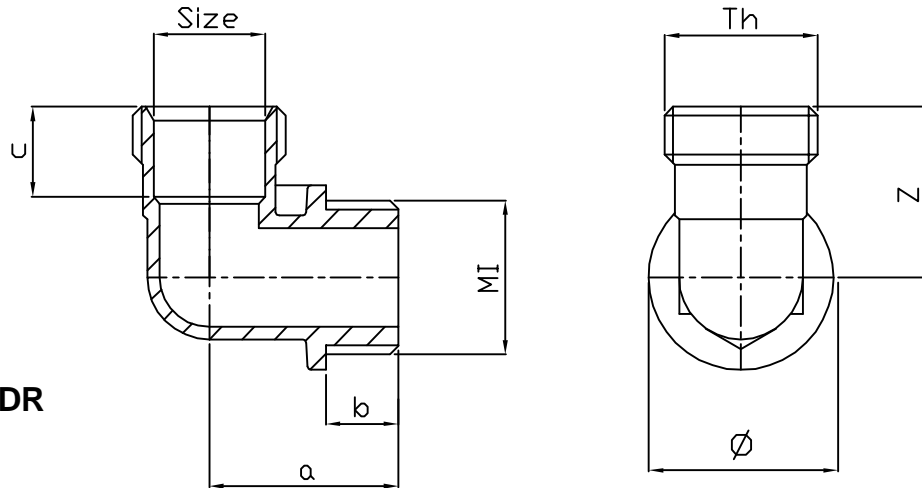


P802DR Vinkelkoppling Cuxutv gg



MI Elbow DR
Cu x M

Product Code	Size 1	MI B.S.P	a	b	c	Z	Th	Ø
P802DR.01	8	1/4	24.3	8.5	7	19	1/4" B.S.P	18
P802DR.03	10	3/8	20.5	8	9	17	3/8" B.S.P	20
P802DR.031	10	1/2	26	10	9	23	3/8" B.S.P	25.4
P802DR.05	12	3/8	20.5	8	9	17	3/8" B.S.P	20
P802DR.051	12	1/2	26	10	9	23	3/8" B.S.P	25.4
P802DR.07	15	3/8	26	10	12.7	23.5	1/2" B.S.P	25.4
P802DR.08	15	1/2	26	10	12.7	23.5	1/2" B.S.P	25.4
P802DR.09	15	3/4	29.5	11.5	12.7	29.5	3/4" B.S.P	33.8
P802DR.10	18	1/2	31.5	9.5	12.7	26.5	Ø23.8 x 14 T.P.I Whit	26
P802DR.105	18	3/4	31.25	11.25	12.7	28.5	Ø23.8 x 14 T.P.I Whit	34
P802DR.11	22	1/2	31.5	9.5	12.7	26.5	1 1/8" x 14 T.P.I Whit	26
P802DR.12	22	3/4	32.25	11.25	13.5	25	1 1/8" x 14 T.P.I Whit	30
P802DR.13	22	1"	37	13.5	13.5	31	1 1/8" x 14 T.P.I Whit	40
P802DR.141	28	3/4	35	11	15.6	37	Ø35 x 14 T.P.I Whit	36
P802DR.14	28	1"	39	13	15.6	33	Ø35 x 14 T.P.I Whit	40.5
P802DR.15	35	1" 1/4	40	15	15.6	37	Ø42.42 x 14 T.P.I Whit	49
P802DR.16	42	1" 1/2	58.5	13.5	22	49	Ø49.022 x 14 T.P.I Whit	60.5
P802DR.17	54	2"	74	17.5	25.4	58	Ø62.69 x 14 T.P.I Whit	74



TO BE USED FOR REFERENCE ONLY
Third Angle Projection

PRODUCT MARKING = 

Flowflex reserve the right to alter the product ranges and specifications contained in this drawing without prior notice

Drawing Reference No P802DR Matrix