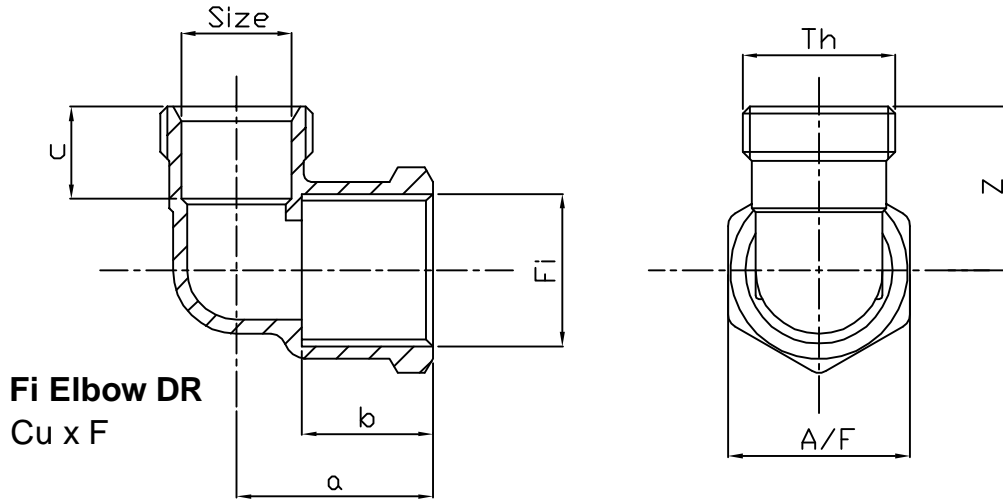


P803DR Vinkelkoppling Cuxinv gg



Product Code	Size	Fi B.S.P	a	b	c	A/F	Z	Th
P803DR.01	8	1/4"	19	12	7	17.75	19	1/4" B.S.P
P803DR.03	10	3/8"	22	13	9	21.1	22	3/8" B.S.P
P803DR.031	10	1/2"	27	18	9	25.0	22.5	3/8" B.S.P
P803DR.04	12	3/8"	22	14	9	21.1	22	3/8" B.S.P
P803DR.05	12	3/8"	22	13	9	21.1	22	3/8" B.S.P
P803DR.051	12	1/2"	27	18	12.7	25.0	22.5	3/8" B.S.P
P803DR.055	15	3/8"	26.5	17.5	12.7	25.0	26	1/2" B.S.P
P803DR.06	15	1/2"	27	18	12.7	25.0	22.5	1/2" B.S.P
P803DR.063	15	3/4"	31.5	18.5	11.4	32	30	1/2" B.S.P
P803DR.065	18	1/2"	27	18	12.7	25	27	ø23.8 x 14 T.P.I Whit
P803DR.066	18	3/4"	29	18	12.7	32.1	29	ø23.8 x 14 T.P.I Whit
P803DR.068	22	1/2"	27	18	13.5	25	27	1 1/8" x 14 T.P.I Whit
P803DR.07	22	3/4"	29	18	14.0	32.1	29	1 1/8" x 14 T.P.I Whit
P803DR.09	28	1"	37	20.5	15.6	38	33.5	ø35 x 14 T.P.I Whit
P803DR.10	35	1 1/4"	43	23.5	18.7	47.5 (octagon)	41	ø42.42 x 14 T.P.I Whit
P803DR.11	42	1 1/2"	48.3	24	20	54.0 (octagon)	42.8	ø49 x 14 T.P.I Whit
P803DR.12	54	2"	68	30	25.4	76.0 (octagon)	60	ø62.69 x 14 T.P.I Whit



TO BE USED FOR REFERENCE ONLY

PRODUCT MARKING =

Flowflex reserve the right to alter the product ranges and specifications contained in this drawing without prior notice

Drawing Reference No P803DR Matrix