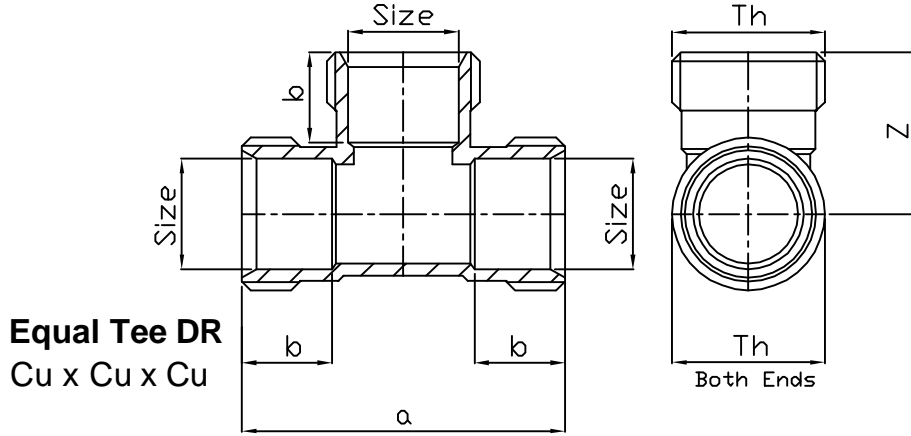


# P701DR T-koppling CuxCuxCu



Product Code	Size	Th	a	b	Z	
P701DR.02	8	1/4" B.S.P	36.5	6	18.25	
P701DR.03	10	3/8" B.S.P	38	9.5	19	
P701DR.04	12	3/8" B.S.P	38	9.5	19	
P701DR.05	15	1/2" B.S.P	41.4	12.7	20.7	
P701DR.07	18	∅23.8 x 14 T.P.I Whit	46	12.7	23	
P701DR.08	22	1 1/8" x 14 T.P.I Whit	50	13.5	25	
P701DR.09	28	∅35 x 14 T.P.I Whit	58	13.5	29	
P701DR.10	35	∅42.42 x 14 T.P.I Whit	70	15.5	35	
P701DR.11	42	∅49.022 x 14 T.P.I Whit	88	22.2	44	
P701DR.12	54	∅62.69 x 14 T.P.I Whit	100	19	50	



TO BE USED FOR REFERENCE ONLY

PRODUCT MARKING =

Flowflex reserve the right to alter the product ranges and specifications contained in this drawing without prior notice

Drawing Reference No P701DR Matrix