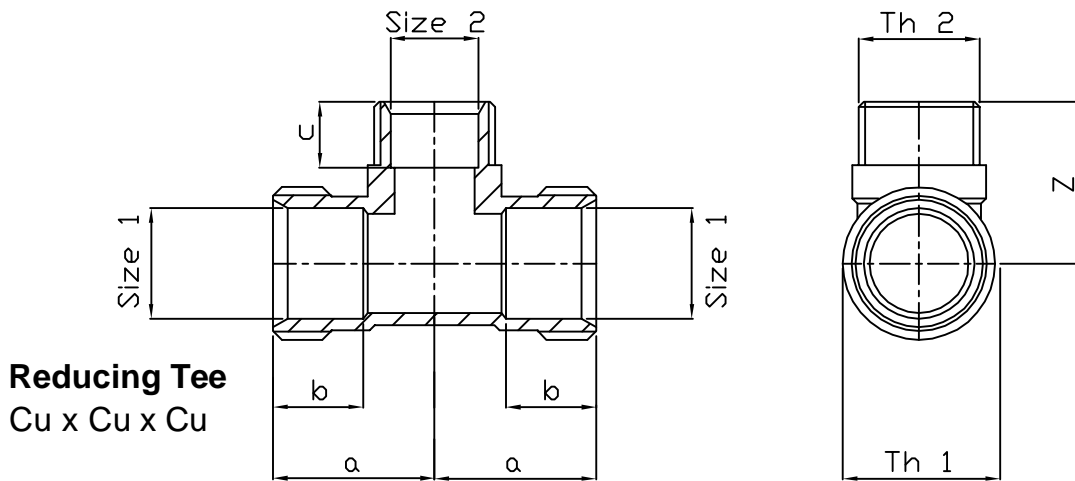


# P702DR T-Koppling Förminskad Cu x Cu x Cu

(Tee with Reduced Branch)



**Reducing Tee**  
Cu x Cu x Cu

| Product Code | Size 1 | Size 2 | a    | b    | c    | Z    | Th 1                   | Th 2                   |
|--------------|--------|--------|------|------|------|------|------------------------|------------------------|
| P702DR.021   | 12     | 10     | 19   | 9.5  | 9.5  | 19   | 3/8" B.S.P             | 3/8" B.S.P             |
| P702DR.116   | 15     | 10     | 22.2 | 12.7 | 9    | 22.2 | 1/2" B.S.P             | 3/8" B.S.P             |
| P702DR.125   | 15     | 12     | 20.7 | 12.7 | 9    | 20.7 | 1/2" B.S.P             | 3/8" B.S.P             |
| P702DR.077   | 18     | 12     | 23   | 12.7 | 9    | 22   | ∅23.8 x 14 T.P.I Whit  | 3/8" B.S.P             |
| P702DR.078   | 18     | 15     | 23   | 12.7 | 9.5  | 23   | ∅23.8 x 14 T.P.I Whit  | 1/2" B.S.P             |
| P702DR.161   | 22     | 12     | 23   | 13.5 | 9    | 24   | 1 1/8" x 14 T.P.I Whit | 3/8" B.S.P             |
| P702DR.16    | 22     | 15     | 23   | 13.5 | 12.4 | 25   | 1 1/8" x 14 T.P.I Whit | 1/2" B.S.P             |
| P702DR.166   | 22     | 18     | 25   | 13.5 | 12.7 | 25   | 1 1/8" x 14 T.P.I Whit | ∅23.8 x 14 T.P.I Whit  |
| P702DR.19    | 28     | 15     | 27   | 13.5 | 12.4 | 29   | ∅35 x 14 T.P.I Whit    | 1/2" B.S.P             |
| P702DR.20    | 28     | 22     | 27   | 13.5 | 13.5 | 29   | ∅35 x 14 T.P.I Whit    | 1 1/8" x 14 T.P.I Whit |
|              |        |        |      |      |      |      |                        |                        |
|              |        |        |      |      |      |      |                        |                        |
|              |        |        |      |      |      |      |                        |                        |
|              |        |        |      |      |      |      |                        |                        |
|              |        |        |      |      |      |      |                        |                        |
|              |        |        |      |      |      |      |                        |                        |
|              |        |        |      |      |      |      |                        |                        |



TO BE USED FOR REFERENCE ONLY

FLOWFLEX PRODUCT MARKING =

Flowflex reserve the right to alter the product ranges and specifications contained in this drawing without prior notice

Drawing Reference No P702DR Matrix