



BALL VALVES



Product information

# TABLE OF CONTENTS

## BALL VALVES

Ball valves of bronze and brass .....	3
Altech Ball valves .....	3
Ball valves Heating system, Cooling system, Compressed Air .....	5
Ball valves AL 3600 .....	5
Ball valves AL 3600 LC/A .....	6
Ball valves AL 3600 LC .....	7
Ball valves AL 3601 .....	8
Ball valves AL 343 .....	9
Ball valves AL 348 .....	10
Ball valves AL 3602 .....	11
Ball valves AL 3635 .....	12
Ball valves AL 300T, AL 300L .....	13
Ball valves tap water .....	14
Ball valves AL 3605, low lead .....	14
Ball valves AL 3605, lead free .....	15
Ball valves AL 3605V, low lead .....	16
Ball valves AL 4340, low lead .....	17
Ball valves AL 4340, lead free .....	18
Ball valves AL 343, low lead .....	19
Ball valves AL 3611, low lead .....	20
Ball valves AL 3611, lead free .....	21
Ball valves AL 3611, lead free .....	22
Ball valves AL 3611, low lead .....	23
Ball valves AL 3613, low lead .....	24
Ball valves AL 3613, lead free .....	25
Ball valves AL 3614, low lead .....	26
Ball valves AL 3614, lead free .....	27
Ball valves AL 3616, low lead .....	28
Ball valves AL 3616, lead free .....	29
Ball valves AL 5020, low lead .....	30
Ball valves AL 5020L, low lead .....	31
Bib cock ball valves .....	32
Ball valves, accessories .....	33
Ball valves, accessories .....	34
Recommended area of use .....	35

# BALL VALVES OF BRONZE AND BRASS

## Altech Ball valves

The strength of Altech Ball Valves lies in its compact design as well as easy installation, operation and maintenance. The robust construction guarantees a long service life. The ball valves admit full flow with very little pressure drop in open position. The opening and closing of the ball valve only requires one quarter turn.

### Installation

Separate installation instructions for Altech Ball valves may be found at <http://www.rskdatabasen.se/> under the relevant item number.

### Use

Altech Ball valves are designed to be easily operated with the handle without additional aids or intervention. The valves function only as a shut-off valve and thus only in the open or closed position. The valves that normally remain unused in one of the two permitted positions must be opened and closed at least once a month.

### General remarks

The maximum operating pressure decreases as the temperature increases. Maximum pressure and temperature limits are specified in technical specification.

### Approvals

Altech Ball valves are CE-marked and type-approved by RISE. As the approval requirements differ between the different types of ball valves, the relevant approvals are specified under each ball valve.

#### Type approval: SC0591-16

For use in the following applications/temperatures/pressures: for tapping points with cold and hot tap water. The maximum permitted operating pressure is 1.0 MPa and where the momentarily water temperature does not exceed 95 °C, or never continuously exceeds 70 °C.

#### Type approval: SC0592-16

For use in the following applications/temperatures/pressures: for heating and cooling systems where the quality of the water can be compared with water supplied by municipal facilities. The maximum permitted operating pressure is 1.0 MPa and where the momentarily water temperature does not exceed 95 °C, or never continuously exceeds 70 °C.

#### Type approval: SC0593-16

For use in the following applications/temperatures/pressures: for cold and hot tap water. The maximum permitted operating pressure is 1.0 MPa and where the momentarily water temperature does not exceed 95 °C, or never continuously exceeds 70 °C.

#### Type approval: SC0594-16

For use in the following applications/temperatures/pressures: for cold and hot tap water. The maximum permitted operating pressure is 1.0 MPa and where the momentarily water temperature does not exceed 95 °C, or never continuously exceeds 70 °C.

#### Type approval: SC0596-16

For use in the following applications/temperatures/pressures: for heating and cooling systems where the quality of the water can be compared with water supplied by municipal facilities. The maximum permitted operating pressure is 1.0 MPa and where the momentarily water temperature does not exceed 95 °C, or never continuously exceeds 70 °C.



#### Manufacturer's declaration:

This product has been manufactured in accordance with the type approval with a decision on manufacturing control as well as those documents used as a basis for the decision on the type approval





# BALL VALVES HEATING SYSTEM, COOLING SYSTEM, COMPRESSED AIR

## Ball valves AL 3600

### Shutoff ball valves for heating, cooling and air systems

Full bore ball valve with female thread. Valve body made of chrome plated brass with steel handle, grafoil gasket, chrome plated brass ball and blow-out proof stem.

Size range: DN8 – DN80

Pressure class: PN40 up to max. 95 °C

DN65 – DN80: PN25 up to max. 95 °C

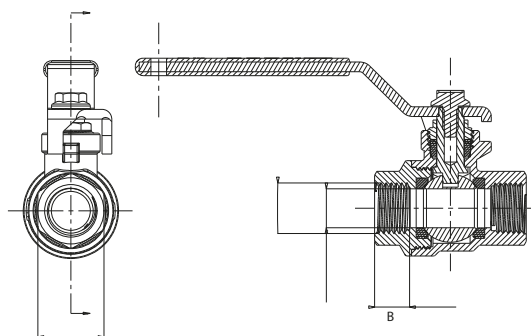
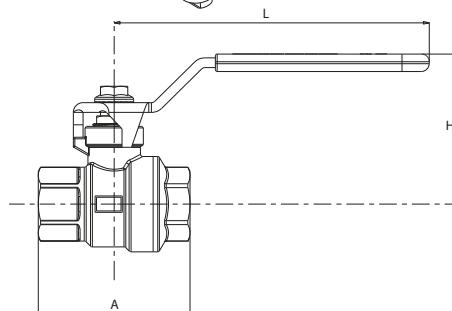
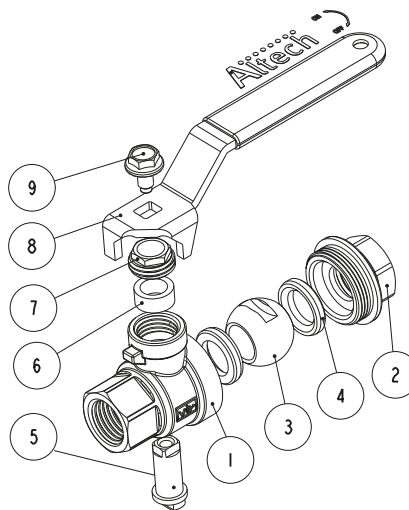
Temperature range, water:

PN25: 0–150 °C, PN 40: 0–95 °C

Temperature range, air:

PN25: -10–150 °C, PN40: -10–95 °C

May be used for group 2 fluids according to the pressure equipment directive AFS 2016:1. RISE type approval no: SC0592-16. Ball valves within dimension DN40 – DN80 are CE marked according to PED 2014/68/EU.



Item no	Model
4502902	G8
4502910	G10
4502928	G15
4502936	G20
4502944	G25
4502951	G32
4502969	G40
4502977	G50
4502985	G65
4502993	G80

No	Part	Material
1	Valve body	Chrome plated brass
2	Fixed end	Chrome plated brass
3	Ball	Chrome plated brass
4	Seat	PTFE
5	Stem	Brass
6	Gasket	Grafoil
7	Nut	Brass
8	Handle	Plastic coated corrosion treated steel
9	Screw	Corrosion treated steel

Ø	A (mm)	B (mm)	H (mm)	L (mm)	Weight (g)	Kv (m <sup>3</sup> /h)
8	39	9	38.6	81	110	3.2
10	39	9	38.6	81	120	5.8
15	49	11.5	54	91.5	230	15.7
20	58	12	57.5	91.5	310	30.8
25	67	14.5	66.3	126.5	510	49.3
32	81	16	71.8	126.5	810	79.0
40	94	17	82.3	141.5	1250	125.3
50	110	19	90	141.5	1800	224.2
65	140.9	25	117.4	201.5	3450	330.2
80	163.2	27	131.8	281.3	5400	419.4



## Ball valves AL 3600 LC/A

### Shutoff ball valves for heating, cooling and air systems, with drain and lockable handle

Full bore ball valve with female thread and drain. Valve body made of chrome plated brass with steel handle, grafoil gasket, chrome plated brass ball and blow-out proof stem. The handle is lockable, with padlock, in open or closed position.

Size range: DN15 – DN25

Pressure class: PN40 up to max. 95 °C

Temperature range, water:

PN25: 0–150 °C, PN 40: 0–95 °C

Temperature range, air:

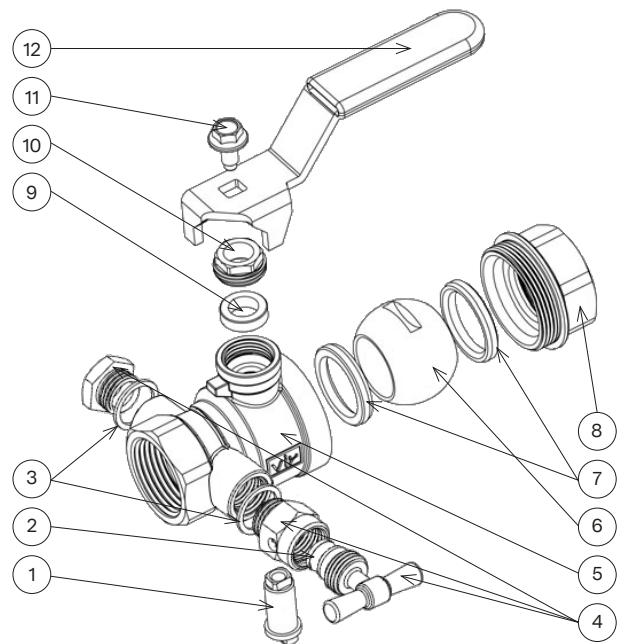
PN25: -10–150 °C, PN40: -10–95 °C

May be used for group 2 fluids according to the pressure equipment directive AFS 2016:1.  
RISE type approval no: SC0592-16.

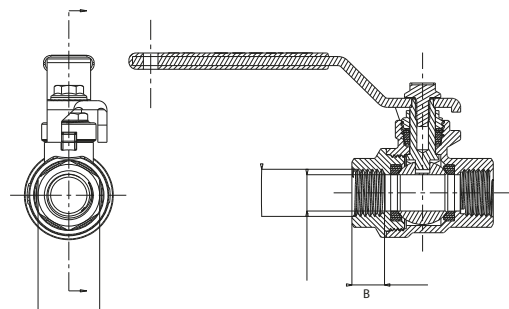
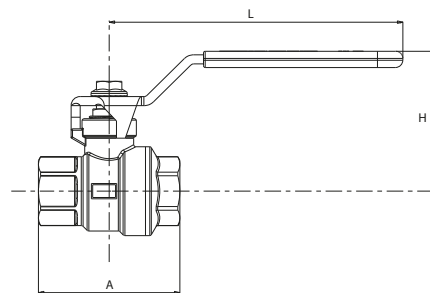


Item no	Model
5493218	G15
5493219	G20
5493220	G25

No	Part	Material
1	Stem	Brass
2	Drain gasket	NBR
3	Gasket	Fibre
4	Drain	Chrome plated brass
5	Valve body	Chrome plated brass
6	Ball	Chrome plated brass
7	Seat	PTFE
8	Fixed end	Chrome plated brass
9	Gasket	Grafoil
10	Nut	Brass
11	Screw	Corrosion treated steel
12	Handle	Plastic coated corrosion treated steel



Ø	A (mm)	B (mm)	H (mm)	L (mm)	Weight (g)	Kv (m³/h)
15	49	11.5	54	91.5	230	15.7
20	58	12	57.5	91.5	310	30.8
25	67	14.5	66.3	126.5	510	49.3



Certifierad av RISE  
och godkänd  
enligt PBL.



## Ball valves AL 3600 LC

### Shutoff ball valves for heating, cooling and air systems, with lockable handle

Full bore ball valve with female thread. Valve body made of chrome plated brass with steel handle, grafoil gasket, chrome plated brass ball and blow-out proof stem. The handle is lockable, with padlock, in open or closed position.

Size range: DN15 – DN50

Pressure class: PN40 up to max. 95 °C

Temperature range, water:

PN25: 0–150 °C, PN 40: 0–95 °C

Temperature range, air:

PN25: -10–150 °C, PN40: 0–95 °C

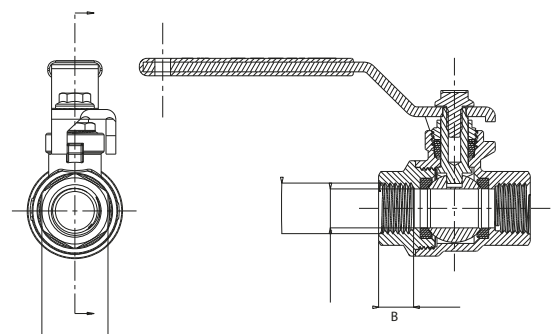
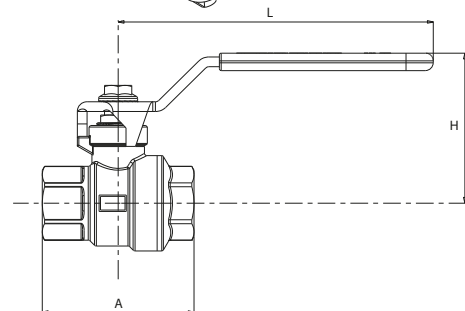
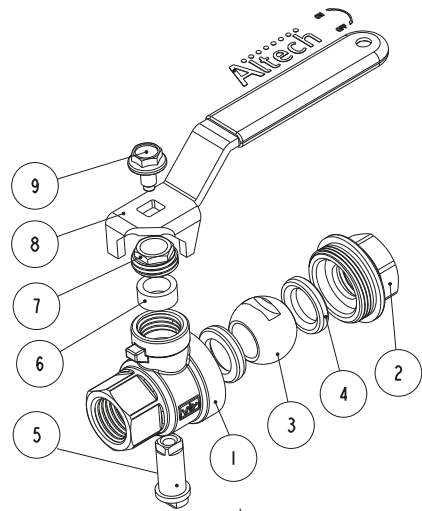
May be used for group 2 fluids according to the pressure equipment directive AFS 2016:1. RISE type approval no: SC0592-16. Ball valves within dimension DN40 – DN50 are CE marked according to PED 2014/68/EU.



Item no	Model
5493221	G15
5493222	G20
5493223	G25
5493224	G32
5493225	G40
5493226	G50

No	Part	Material
1	Valve body	Chrome plated brass
2	Fixed end	Chrome plated brass
3	Ball	Chrome plated brass
4	Seat	PTFE
5	Stem	Brass
6	Gasket	Grafoil
7	Nut	Brass
8	Handle	Plastic coated corrosion treated steel
9	Screw	Corrosion treated steel

Ø	A (mm)	B (mm)	H (mm)	L (mm)	Weight (g)	Kv (m <sup>3</sup> /h)
15	49	11.5	54	91.5	230	15.7
20	58	12	57.5	91.5	310	30.8
25	67	14.5	66.3	126.5	510	49.3
32	81	16	71.8	126.5	810	79.0
40	94	17	82.3	141.5	1250	125.3
50	110	19	90	141.5	1800	224.2



Certifierad av RISE  
och godkänd  
enligt PBL.

RI  
SE

1002

## Ball valves AL 3601

### Shutoff ball valves for heating, cooling and air systems

Full bore ball valve with long neck and female thread. Valve body made of chrome plated brass with steel handle, grafoil gasket and chrome plated brass ball.

Size range: DN10 – DN50

Pressure class: PN25 up to max. 110 °C

Temperature range, water:

PN25: 0–110 °C, PN16: 0–150 °C

Temperature range, air:

PN20: -10–110 °C, PN16: -10–150 °C

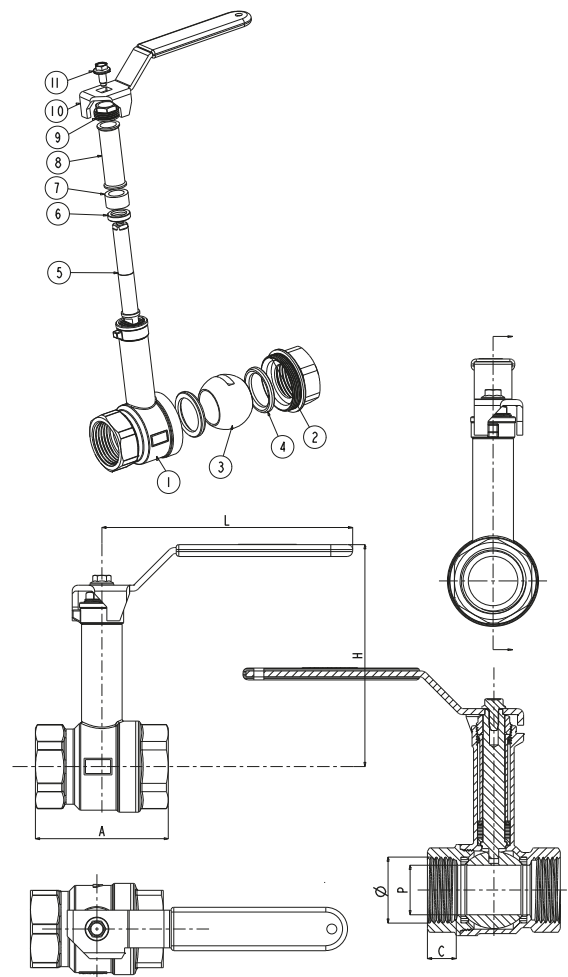
May be used for group 2 fluids according to the pressure equipment directive AFS 2016:1. Ball valves within dimension DN40 – DN50 are CE marked according to PED 2014/68/EU.



Item no	Model
4513420	G10
4513438	G15
4513446	G20
4513453	G25
4513461	G32
4513479	G40
4513487	G50

No	Part	Material
1	Valve body	Chrome plated brass
2	Fixed end	Chrome plated brass
3	Ball	Chrome plated brass
4	Seat	PTFE
5	Stem	Brass
6	Anti-friction ring	Brass
7	Gasket	Grafoil
8	Packing nut extension	Brass
9	Nut	Brass
10	Handle	Plastic coated corrosion treated steel
11	Screw	Corrosion treated steel

Ø	A (mm)	C (mm)	H (mm)	L (mm)	P (mm)	Weight (g)	Kv (m³/h)
10	40	9	96	90	10	225	5.8
15	49	11.5	98	90	15	300	15.7
20	58	12	101	90	20	395	30.8
25	67	14.5	110	125	25	630	49.3
32	81	16	120	125	32	900	79.0
40	94	17	132	140	40	1 370	125.3
50	110	19	140	140	50	1 945	224.2



## Ball valves AL 343

### Shutoff ball valves for heating, cooling and air systems

Full bore ball valve with male x female thread. Valve body made of chrome plated brass with steel handle, PTFE gasket, chrome plated brass ball and blow-out proof stem.

Size range: DN10 – DN50

Pressure class: PN40 up to max. 95 °C

Temperature range, water:

PN25: 0–150 °C, PN40: 0–95 °C

Temperature range, air:

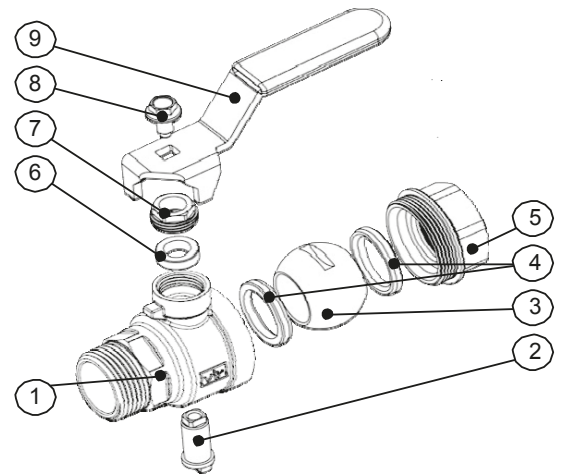
PN25: -10–150 °C, PN40: -10–95 °C

May be used for group 2 fluids according to the pressure equipment directive AFS 2016:1. RISE type approval no: SC0592-16. Ball valves within dimension DN40 – DN50 are CE marked according to PED 2014/68/EU.

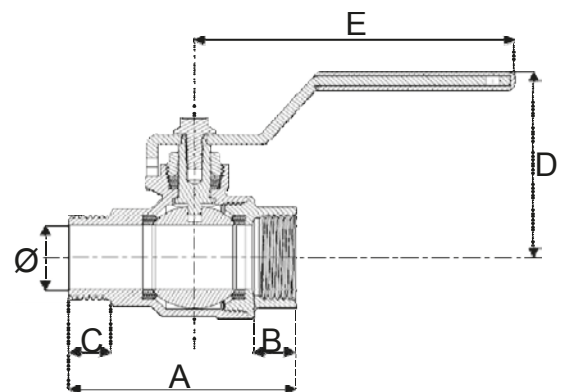


Item no	Model
4502938	G15 x R15
4502939	G20 x R20
4502940	G25 x R25
4502941	G32 x R32

No	Part	Material
1	Valve body	Chrome plated brass
2	Stem	Brass
3	Ball	Chrome plated brass
4	Seats	PTFE
5	Fixed end	Chrome plated brass
6	Gasket	PTFE
7	Nut	Brass
8	Screw	Corrosion treated steel
9	Handle	Plastic coated corrosion treated steel



Ø	A (mm)	B (mm)	C (mm)	D (mm)	E (mm)	Weight (g)	Kv (m³/h)
10	46.5	9	10	41	80	120	5.8
15	56	11.5	12	53	90	220	15.7
20	65.5	12	12	57	90	310	30.8
25	76	14.5	16	65	125	530	49.3
32	91	16	18	71	125	830	79.0
40	105	17	19	79	140	1 270	125.3
50	122	19	21	87	140	1 900	224.2



## Ball valves AL 348

### Shutoff ball valves for heating, cooling and air systems

Full bore ball valve with male thread. Valve body made of chrome plated brass with steel handle, PTFE gasket, chrome plated brass ball and blow-out proof stem.

Size range: DN20 – DN25

Pressure class: PN40 up to max. 95 °C

Temperature range, water:

PN25: 0–150 °C, PN40: 0–95 °C

Temperature range, air:

PN25: -10–150 °C, PN40: -10–95 °C

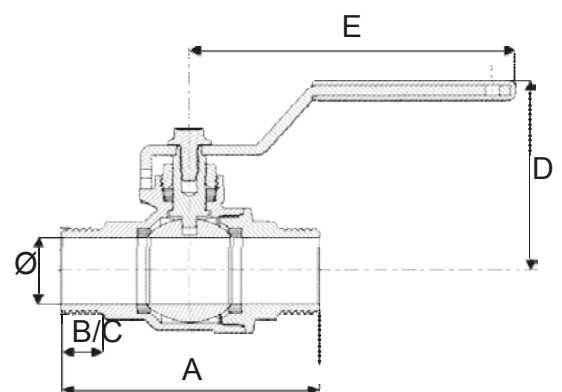
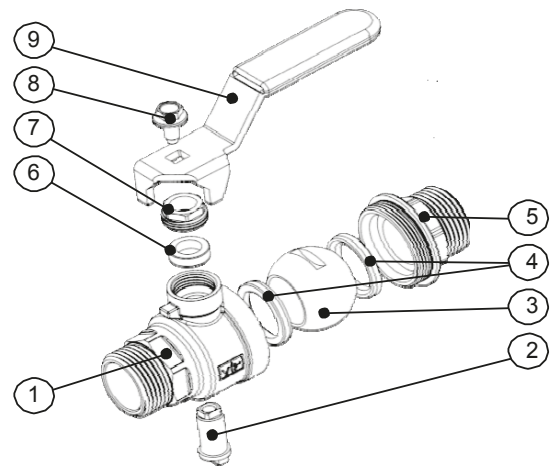
May be used for group 2 fluids according to the pressure equipment directive AFS 2016:1. RISE type approval no: SC0592-16.



Item no	Model
4502934	R20
4502935	R25

No	Part	Material
1	Valve body	Chrome plated brass
2	Stem	Brass
3	Ball	Chrome plated brass
4	Seat	PTFE
5	Fixed end	Chrome plated brass
6	Gasket	PTFE
7	Nut	Brass
8	Screw	Corrosion treated steel
9	Handle	Plastic coated corrosion treated steel

Ø	A (mm)	B (mm)	C (mm)	D (mm)	E (mm)	Weight (g)	Kv (m³/h)
20	72.5	12	12	57	90	360	30.8
25	85	16	16	65	125	580	49.3



## Ball valves AL 3602

### Shutoff ball valves for heating, cooling and air systems

Full bore ball valve with female thread. Valve body made of chrome plated brass with aluminium butterfly handle, grafoil gasket, chrome plated brass ball and blow-out proof stem.

Size range: DN8 – DN25

Pressure class: PN40 up to max. 95 °C

Temperature range, water:

PN25: 0–150 °C, PN40: 0–95 °C

Temperature range, air:

PN25: -10–150 °C, PN40: -10–95 °C

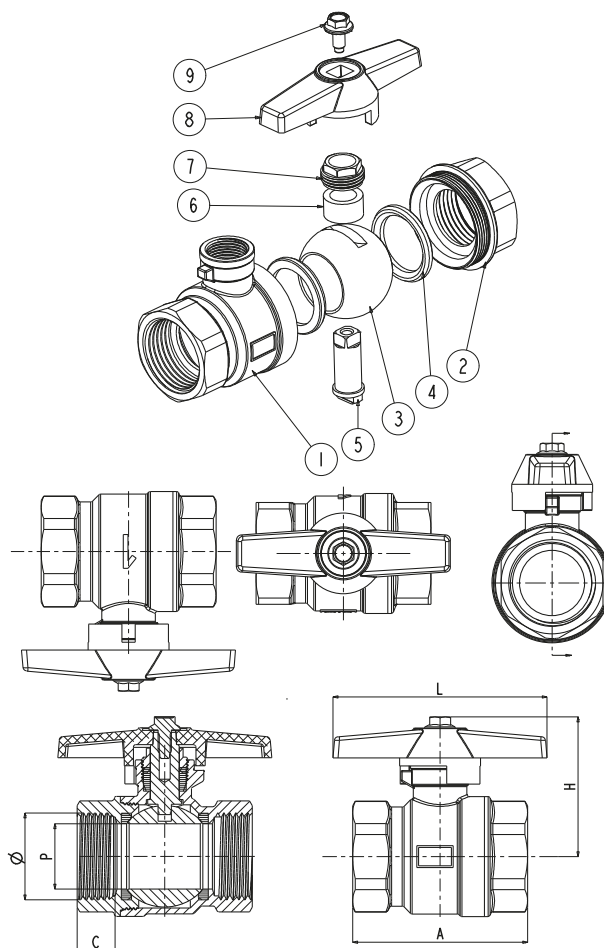
May be used for group 2 fluids according to the pressure equipment directive AFS 2016:1. RISE type approval no: SC0592-16.



Item no	Model
4503066	G8
4503074	G10
4503082	G15
4503090	G20
4503108	G25

No	Part	Material
1	Valve body	Brass
2	Fixed end	Chrome plated brass
3	Ball	Chrome plated brass
4	Seat	PTFE
5	Stem	Brass
6	Gasket	Grafoil
7	Nut	Brass
8	Butterfly handle	Aluminium
9	Screw	Corrosion treated steel

Ø	A (mm)	C (mm)	H (mm)	L (mm)	P (mm)	Weight (g)	Kv (m³/h)
8	39	9	32	44	10	90	3.2
10	39	9	32	44	10	100	5.8
15	49	11.5	39	55	15	195	15.7
20	58	12	43	55	20	280	30.8
25	67	14.5	50	83	25	460	49.3



# Ball valves AL 3635

## Shutoff ball valves for heating, cooling and air systems

Full bore ball valve with molded long neck, female thread and drain. Valve body made of chrome plated brass with steel handle, grafoil gasket and chrome plated brass ball.

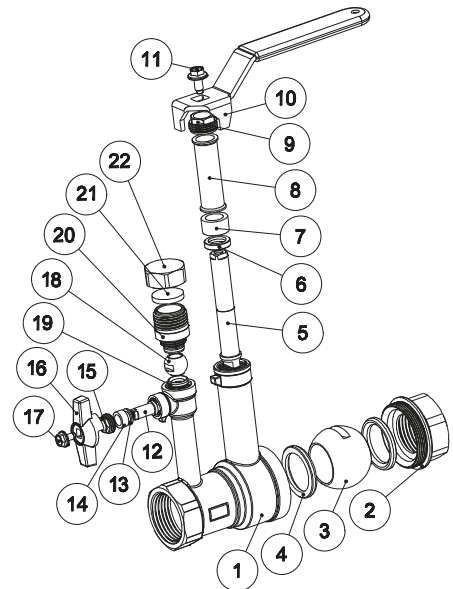
Size range: DN10 – DN50

Pressure class: PN25 up to max. 95 °C

Temperature range, water: PN25: 0–95 °C, PN16: 0–150 °C

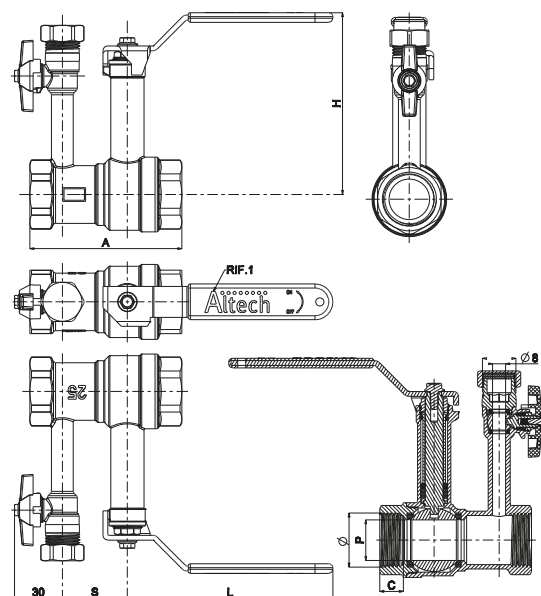
Temperature range, air: PN20: -10–110 °C, PN16: -10–150 °C

May be used for group 2 fluids according to the pressure equipment directive AFS 2016:1. RISE type approval no: SC0596-16. Ball valves within dimension DN40 – DN50 are CE marked according to PED 2014/68/EU.



Item no	Model
4502400	G10
4502401	G15
4502402	G20
4502403	G25
4502404	G32
4502405	G40
4502406	G50

No	Part	Material
1	Valve body	Brass
2	Fixed end	Chrome plated brass
3	Ball	Chrome plated brass
4	Seat	PTFE
5	Stem	Brass
6	Friction ring	DZR brass
7	Gasket	Grafoil
8	Packing nut extension	Brass
9	Nut	Brass
10	Handle	Plastic coated corrosion treated steel
11	Screw	Corrosion treated steel
12	Stem	Brass
13	Anti-friction ring	DZR brass
14	Gasket	Grafoil
15	Packing nut	Brass
16	Butterfly handle	Aluminium
17	Screw	Corrosion treated steel
18	Ball	Chrome plated brass
19	Seat	PTFE
20	Fixed end	Chrome plated brass
21	Drain cap gasket	EPDM
22	Drain cap	Brass



Ø	A (mm)	C (mm)	H (mm)	L (mm)	P (mm)	S (mm)	Weight (g)	Kv (m³/h)
10	74.5	9	96	90	10	39	390	5.8
15	82	11.5	96	90	15	39	480	15.7
20	86	12	101	90	20	39	570	30.8
25	93.5	14.5	110	125	25	40	810	49.3
32	102.5	16	120	125	32	40	1080	79.0
40	113	17	132	140	40	43	1600	125.3
50	123	19	140	140	50	43	2 250	224.2



# Ball valves AL 300T, AL 300L

## 3-way shutoff ball valves for heating, cooling and air systems

Reduced 3-way bore ball valve with female thread. Valve body made of nickel plated brass with steel handle, nickel plated brass ball and blow-out proof stem. Available with L machined ball and T machined ball.

Size range: DN15 – DN50

Pressure class: PN40

Temperature range, water: 0–100 °C

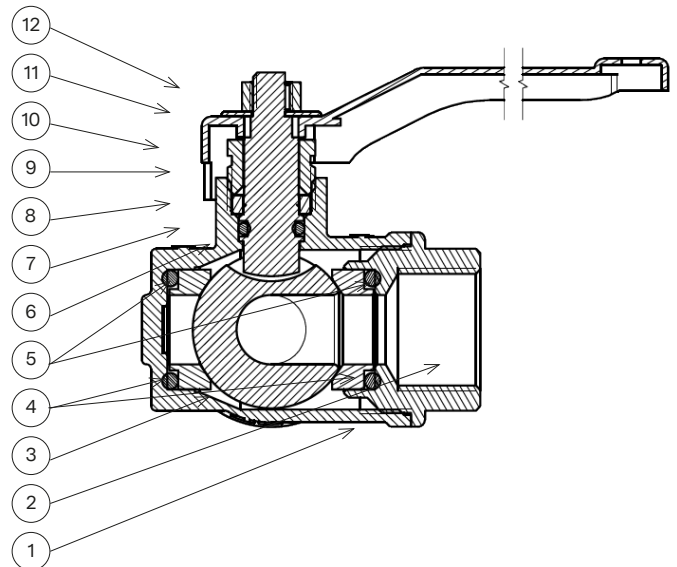
Temperature range, air: -10–100 °C

May be used for group 2 fluids according to the pressure equipment directive AFS 2016:1.

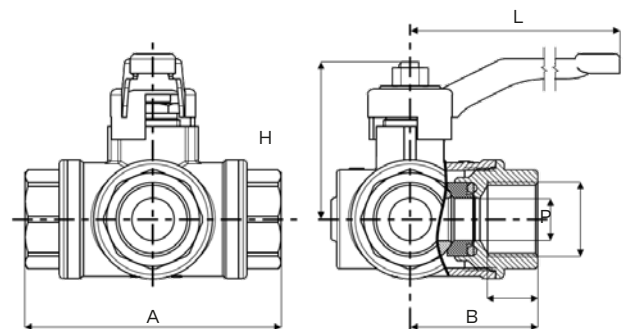


Item no	Model
T machined ball	
4551067	G15
4551068	G20
4551069	G25
L machined ball	
4551070	G15
4551071	G20
4551072	G25
4551073	G32
4551074	G40
4551075	G50

No	Part	Material
1	Valve body	Nickel plated brass
2	Fixed end	Nickel plated brass
3	Ball	Nickel plated brass
4	Seat	PTFE
5	Seat O-ring	FKM
6	Stem	Brass
7	O-ring	O-ring
8	Gasket	PTFE
9	Nut	Brass
10	Handle	Aluminium
11	Disc	Aluminium
12	Screw	Corrosion treated steel



Ø	A (mm)	B (mm)	H (mm)	L (mm)	P (mm)	Weight (g) T drilled	Weight (g) L drilled
15	82	41	52	115	10	626	633
20	90	45	56	115	15	861	864
25	106	53	64	150	20	1 479	1 492
32	120	60	77	150	25	-	2 046
40	142	71	94	240	32	-	3 725
50	165	83	104	240	40	-	5 860



# BALL VALVES TAP WATER

## Ball valves AL 3605, low lead

### Shutoff ball valves for hot and cold tap water

Full bore ball valve with female thread. Valve body made of DZR brass CW511 L (lead content  $\leq 0,2\%$ ), with steel handle or aluminium butterfly handle, grafoil gasket and blow-out proof stem.

Size range: DN10 – DN50

Pressure class: PN40 up to max. 95 °C

Temperature range, water:

PN25: 0–150 °C, PN40: 0–95 °C

Temperature range, air:

PN25: -10–150 °C, PN40: -10–95 °C

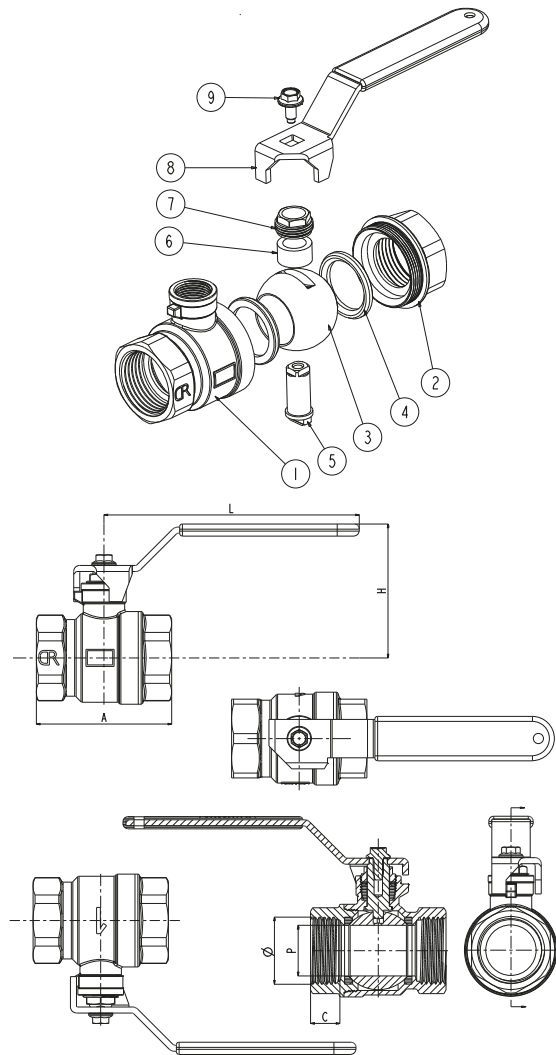
Used for installation with hot and cold tap water as well as air and vacuum. Can also be used for heating systems. RISE type approval no: SC0593-16.



Item no	Model	Color
With handle		
4507406	G10	-
4507414	G15	-
4507422	G20	-
4507430	G25	-
4507448	G32	-
4507455	G40	-
4507463	G50	-
With butterfly handle		
4507441	G10	Red
4507442	G15	Red
4507443	G20	Red
4507444	G10	Blue
4507445	G15	Blue
4507446	G20	Blue

No	Part	Material
1	Valve body	DZR brass
2	Fixed end	DZR brass
3	Ball	DZR brass
4	Seat	PTFE
5	Stem	DZR brass
6	Gasket	Grafoil
7	Nut	Brass
8	Handle	Plastic coated corrosion treated steel
9	Screw	Corrosion treated steel

Ø	A (mm)	C (mm)	H (mm)	L (mm)	P (mm)	Weight (g)	Kv (m <sup>3</sup> /h)
10	39	9	41	80	10	120	5.8
15	49	11.5	53	90	15	225	15.7
20	58	12	57	90	20	305	30.8
25	67	14.5	65	125	25	510	49.3
32	81	16	71	125	32	810	79.0
40	94	17	79	140	40	1 430	125.3
50	110	19	87	140	50	2 200	224.2



Certifierad av RISE och godkänd enligt PBL.



## Ball valves AL 3605, lead free

### Shutoff ball valves for hot and cold tap water

Full bore ball valve with female thread. Valve body made of DZR brass CW511 L (lead content  $\leq 0,1\%$ ), with steel handle, grafoil gasket and blow-out proof stem.

Size range: DN10 – DN50

Tryckklass: PN40 up to max. 95 °C

Temperature range, water:

PN25: 0–150 °C, PN40: 0–95 °C

Temperature range, air:

PN25: -10–150 °C, PN40: -10–95 °C

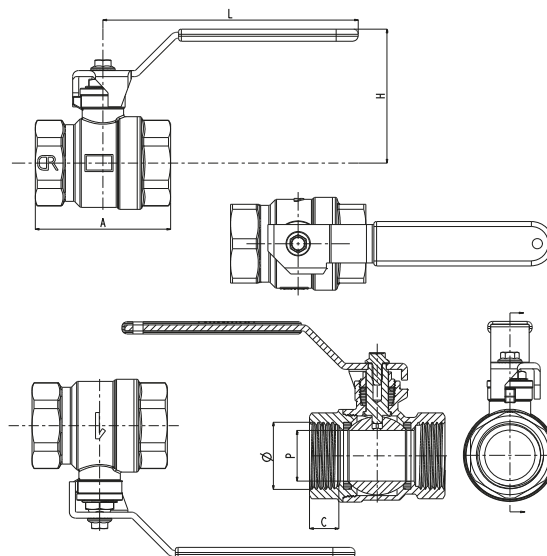
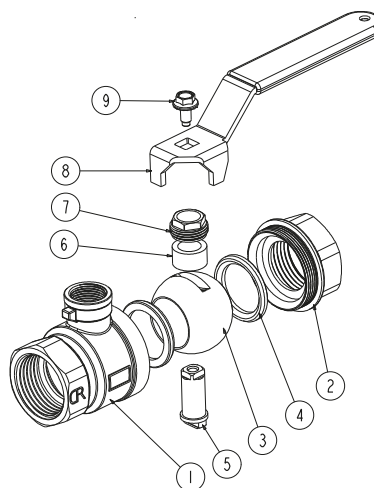
Used for installation with hot and cold tap water as well as air and vacuum. Can also be used for heating systems. RISE type approval no: SC0593-16.



Item no	Model
5494953	G10
5494954	G15
5494955	G20
5494956	G25
5494957	G32
5494958	G40
5494959	G50

No	Part	Material
1	Valve body	DZR brass
2	Fixed end	DZR brass
3	Ball	DZR brass
4	Seat	PTFE
5	Stem	DZR brass
6	Gasket	Grafoil
7	Nut	Brass
8	Handle	Plastic coated corrosion treated steel
9	Screw	Corrosion treated steel

Ø	A (mm)	C (mm)	H (mm)	L (mm)	P (mm)	Weight (g)	Kv (m <sup>3</sup> /h)
10	39	9	41	80	10	120	5.8
15	49	11.5	53	90	15	225	15.7
20	58	12	57	90	20	305	30.8
25	67	14.5	65	125	25	510	49.3
32	81	16	71	125	32	810	79.0
40	94	17	79	140	40	1 430	125.3
50	110	19	87	140	50	2 200	224.2



Certifierad av RISE  
och godkänd  
enligt PBL.

RI  
SE

1002

## Ball valves AL 3605V, low lead

### Shutoff ball valves for hot and cold tap water

Full bore ball valve with female thread. Valve body made of DZR brass CW511 L (lead content  $\leq 0,2\%$ ), with slow closing steel handle, grafoil gasket and blow-out proof stem.

Size range: DN40 – DN50

Pressure class: PN40 up to max. 95 °C

Temperature range, water:

PN25: 0–150 °C, PN40: 0–95 °C

Temperature range, air:

PN25: -10–150 °C, PN40: -10–95 °C

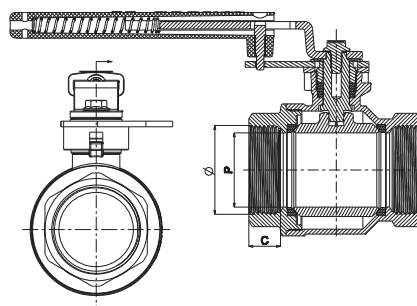
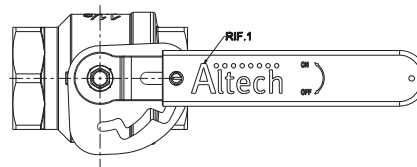
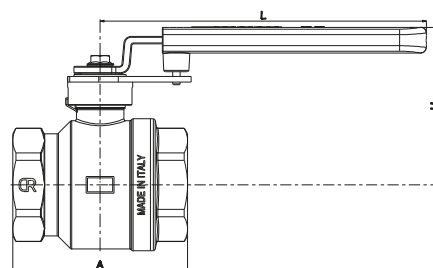
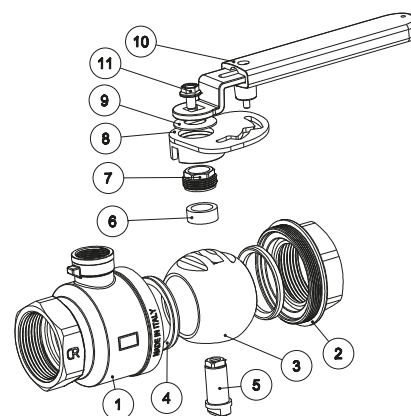
Used for installation with hot and cold tap water as well as air and vacuum. Can also be used for heating systems. RISE type approval no: SC0593-16.



Item no	Model
4507480	G40
4507481	G50

No	Part	Material
1	Valve body	DZR brass
2	Fixed end	DZR brass
3	Ball	DZR brass
4	Seat	PTFE
5	Stem	DZR brass
6	Gasket	Grafoil
7	Nut	Brass
8	Control plate	Steel
9	Washer	Corrosion treated steel
10	Handle	Plastic coated corrosion treated steel
11	Screw	Corrosion treated steel

Ø	A (mm)	C (mm)	H (mm)	L (mm)	P (mm)	Weight (g)	Kv (m <sup>3</sup> /h)
40	94	17	84	174	40	1 600	125.3
50	110	19	93	174	50	2 380	224.2



Certifierad av RISE  
och godkänd  
enligt PBL.

RI  
SE

1002

## Ball valves AL 4340, low lead

### Shutoff ball valves for hot and cold tap water

Full bore ball valve with long neck and female thread. Valve body made of DZR brass CW511 L (lead content  $\leq 0,2\%$ ), with steel handle and grafoil gasket.

Size range: DN15 – DN50

Pressure class: PN25 up to max. 110 °C

Temperature range, water:

PN25: 0–110 °C, PN16: 0–150 °C

Temperature range, air:

PN25: -10–110 °C, PN16: -10–150 °C

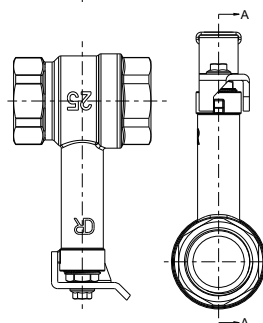
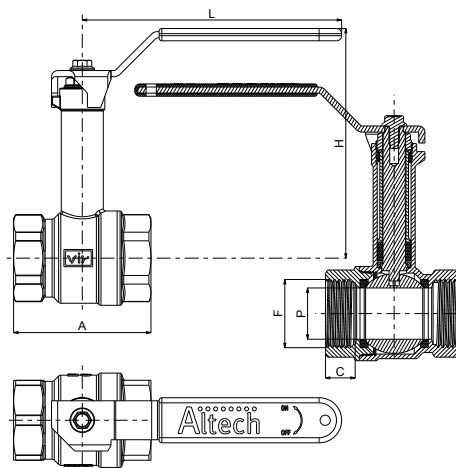
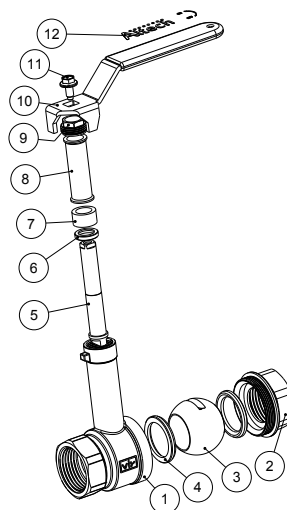
Used for installation with hot and cold tap water as well as air and vacuum. Can also be used for heating systems. RISE type approval no: SC0593-16.



Item no	Model
4513538	G15
4513539	G20
4513540	G25
4513541	G32
4513542	G40
4513543	G50

No	Part	Material
1	Valve body	DZR brass
2	Fixed end	DZR brass
3	Ball	DZR brass
4	Seat	PTFE
5	Stem	DZR brass
6	Anti-friction ring	DZR brass
7	Gasket	Grafoil
8	Packing nut extension	Brass
9	Nut	Brass
10	Handle	Plastic coated corrosion treated steel
11	Screw	Corrosion treated steel

Ø	A (mm)	C (mm)	H (mm)	L (mm)	P (mm)	Weight (g)	Kv (m³/h)
15	49	11.5	98	91.5	15	293	15.7
20	58	12	101	91.5	20	390	30.8
25	67	14.5	110	126.5	25	600	49.3
32	81	16	120	126.5	32	896	79.0
40	94	17	132	142	40	1540	125.3
50	110	19	140	142	50	2367	224.2



Certifierad av RISE och godkänd enligt PBL.

RISE

1002

## Ball valves AL 4340, lead free

### Shutoff ball valves for hot and cold tap water

Full bore ball valve with long neck and female thread. Valve body made of DZR brass CW511 L (lead content  $\leq 0,1\%$ ), with steel handle and grafoil gasket.

Size range: DN15 – DN50

Pressure class: PN40 up to max. 110 °C

Temperature range, water:

PN25: 0–110 °C, PN16: 0–150 °C

Temperature range, air:

PN25: -10–110 °C, PN16: -10–150 °C

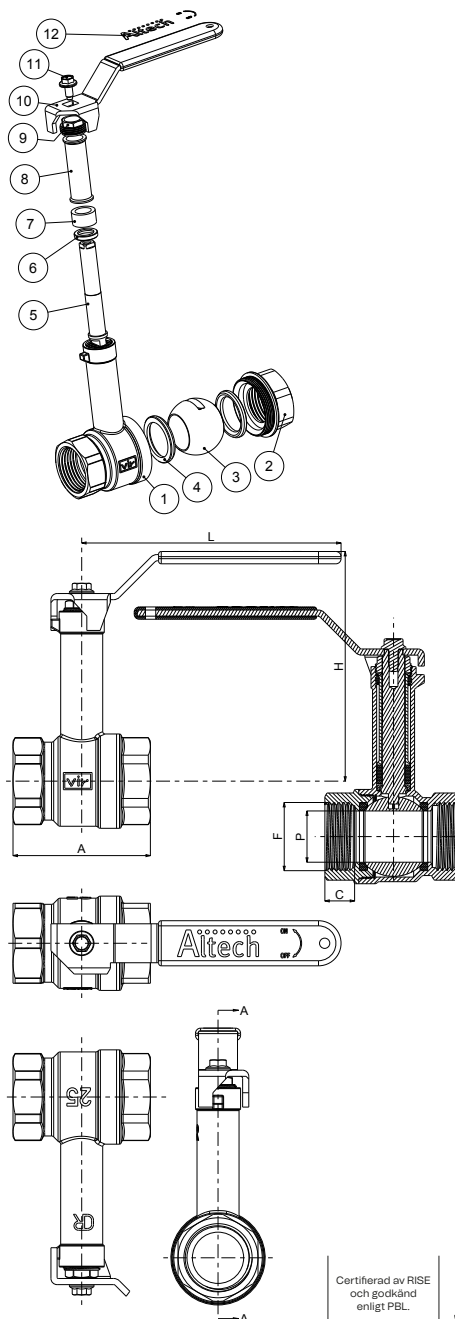
Used for installation with hot and cold tap water as well as air and vacuum. Can also be used for heating systems. RISE type approval no: SC0593-16.



Item no	Model
5494960	G15
5494961	G20
5494962	G25
5494963	G32
5494964	G40
5494965	G50

No	Part	Material
1	Valve body	DZR brass
2	Fixed end	DZR brass
3	Ball	DZR brass
4	Seat	PTFE
5	Stem	DZR brass
6	Anti-friction ring	DZR brass
7	Gasket	Grafoil
8	Packing nut extension	Brass
9	Nut	Brass
10	Handle	Plastic coated corrosion treated steel
11	Screw	Corrosion treated steel

Ø	A (mm)	C (mm)	H (mm)	L (mm)	P (mm)	Weight (g)	Kv (m³/h)
15	49	11.5	98	91.5	15	293	15.7
20	58	12	101	91.5	20	390	30.8
25	67	14.5	110	126.5	25	600	49.3
32	81	16	120	126.5	32	896	79.0
40	94	17	132	142	40	1540	125.3
50	110	19	140	142	50	2367	224.2



## Ball valves AL 343, low lead

### Shutoff ball valves for hot and cold tap water

Full bore ball valve with male x female thread. Valve body made of DZR brass CW511 L (lead content  $\leq 0,2\%$ ), with aluminium butterfly handle and grafoil gasket.

Size range: DN15

Pressure class: PN40 up to max. 95 °C

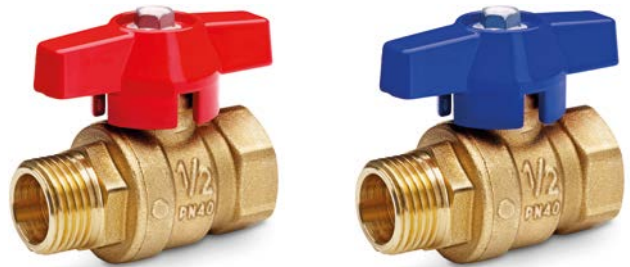
Temperature range, water:

PN25: 0–150 °C, PN40: 0–95 °C

Temperature range, air:

PN25: -10–150 °C, PN40: -10–95 °C

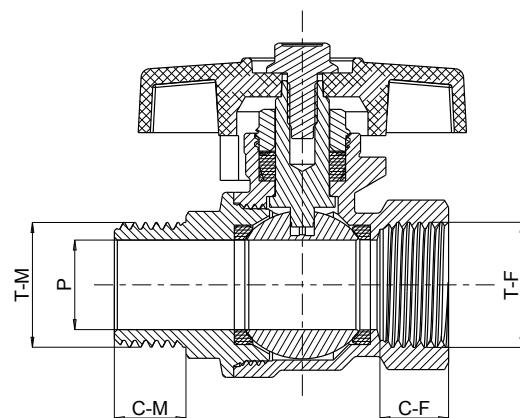
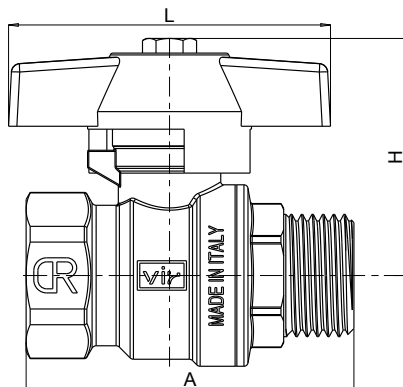
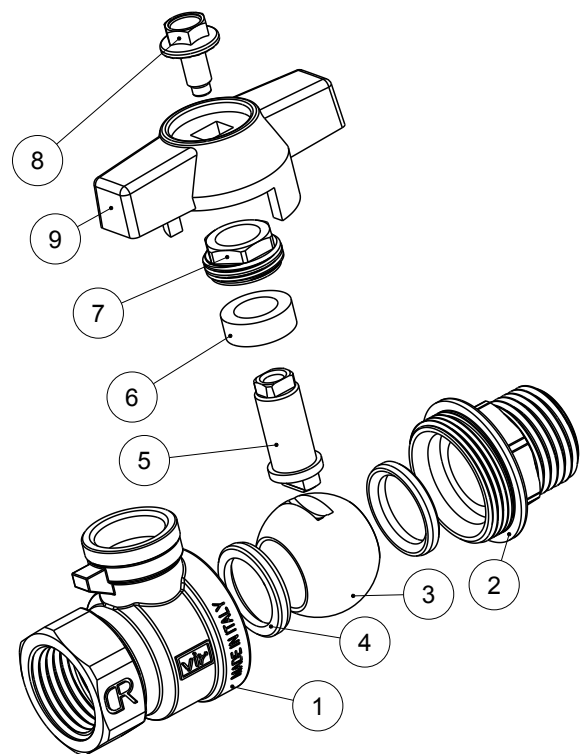
Used for installation with hot and cold tap water as well as air and vacuum. Can also be used for heating systems. RISE type approval no: SC0593-16.



Item no	Model
5493274	G15 x R15 with red butterfly handle
5493275	G15 x R15 with blue butterfly handle

No	Part	Material
1	Valve body	DZR brass
2	Fixed end	DZR brass
3	Ball	DZR brass
4	Seat	PTFE
5	Stem	DZR brass
6	Gasket	Grafoil
7	Nut	Brass
8	Screw	Corrosion treated steel
9	Butterfly handle	Aluminium

Ø	A (mm)	L (mm)	H (mm)	C-M (mm)	C-F (mm)	P (mm)	Weight (g)	Kv (m³/h)
15	56	55	40.5	12	11.5	15	170	5.8



## Ball valves AL 3611, low lead

### Shutoff ball valves for hot and cold tap water

Full bore ball valve with long neck and solder fittings. Valve body made of DZR brass CW511 L (lead content  $\leq 0,2\%$ ), with steel handle and grafoil gasket. Dimension 42 and 54 is supplied with a slow closing handle.

Size range: DN12 – DN54

Pressure class: PN16 up to max. 85 °C

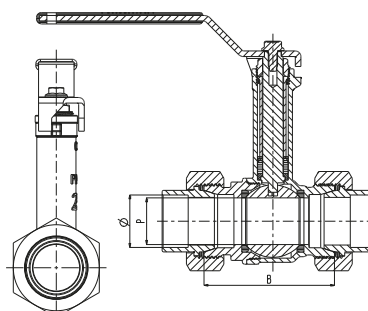
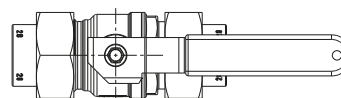
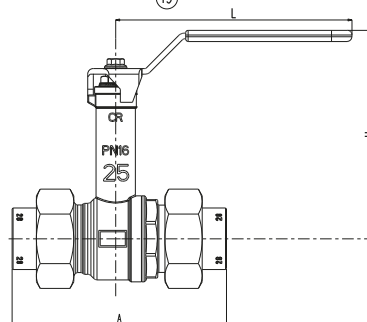
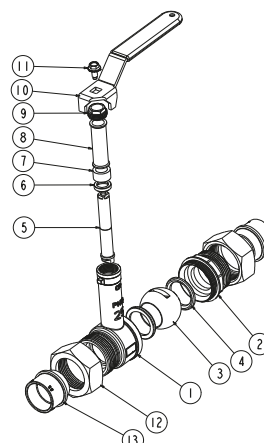
Temperature range, water:

PN16: 0–85 °C, PN10: 0–110 °C

Temperature range, air:

PN10: -10–110 °C

Used for installation with hot and cold tap water as well as air, neutral and non-combustible gases. Can also be used for heating systems. RISE type approval no: SC0594-16.



Item no	Model
4510327	12
4510335	15
4510343	18
4510350	22
4510368	28
4510376	35
4510384	42*
4510392	54*

\*Slow closing handle

No	Part	Material
1	Valve body	DZR brass
2	Fixed end	DZR brass
3	Ball	DZR brass
4	Seat	PTFE
5	Stem	DZR brass
6	Anti-friction ring	Brass
7	Gasket	Grafoil
8	Packing nut extension	Brass
9	Nut	Brass
10	Handle	Plastic coated corrosion treated steel
11	Screw	Corrosion treated steel
12	Nut	Brass
13	Coupling end	Brass

Ø	A (mm)	B (mm)	H (mm)	L (mm)	P (mm)	Weight (g)
12	78	50	96	80	10	320
15	91	55	99	90	15	440
18	100	60	102	90	20	620
22	100	60	102	90	20	620
28	115	70	112	125	25	1000
35	134	80	117	125	32	1450
42	150	90	134	174	40	2310
54	160	100	142	174	50	3550

Certifierad av RISE  
och godkänd  
enligt PBL.

RI  
SE

1002

# Ball valves AL 3611, lead free

## Shutoff ball valves for hot and cold tap water

Full bore ball valve with long neck and solder fittings. Valve body made of DZR brass CW511 L (lead content  $\leq 0,1\%$ ), with steel handle and grafoil gasket.

Size range: DN12 – DN54

Pressure class: PN16 up to max. 85 °C

Temperature range, water:

PN16: 0–85 °C, PN10: 0–110 °C

Temperature range, air:

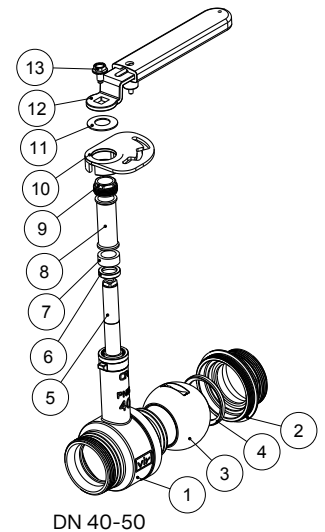
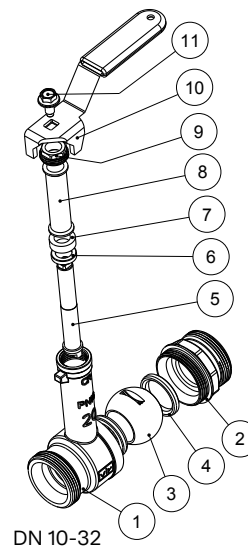
PN10: -10–110 °C

Used for installation with hot and cold tap water as well as air, neutral and non-combustible gases. Can also be used for heating systems..

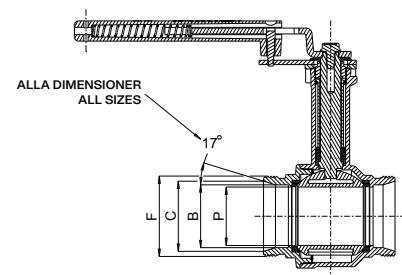
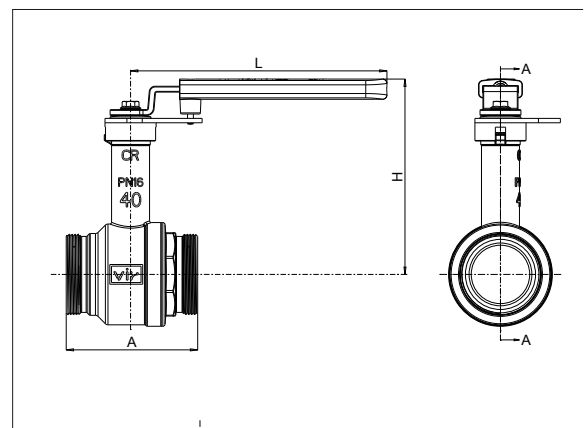


Item no	Model
5497213	M22 x 1,5
5497214	M26 x 1,5
5497215	M34 x 1,5
5497216	M40 x 2,0
5497217	M50 x 2,0
5497218	M55 x 2,0
5497219	M70 x 2,0

DN10-32		
No	Part	Material
1	Valve body	DZR brass
2	Fixed end	DZR brass
3	Ball	DZR brass
4	Seat	PTFE
5	Stem	DZR brass
6	Anti-friction ring	Brass
7	Gasket	Grafoil
8	Packing nut extension	Brass
9	Nut	Brass
10	Handle	Plastic coated corrosion treated steel
11	Screw	Corrosion treated steel



DN40-50		
No	Part	Material
1	Valve body	DZR brass
2	Fixed end	DZR brass
3	Ball	DZR brass
4	Seat	PTFE
5	Stem	DZR brass
6	Anti-friction ring	Brass
7	Gasket	Grafoil
8	Packing nut extension	Brass
9	Nut	Brass
10	White control plate	Steel
11	Over compensation ring	Phosphatized steel
12	Handle	Plastic coated corrosion treated steel
13	Screw	Corrosion treated steel



F	P (mm)	C (mm)	A (mm)	L (mm)	H (mm)	Weight (g)
M22 x 1,5	10	17	50	91,5	96	244
M26 x 1,5	15	21	55	91,5	99	295
M34 x 1,5	20	27	60	91,5	102	387
M40 x 2,0	25	33	70	126,5	112	601
M50 x 2,0	32	42	80	126,5	117	940
M55 x 2,0	40	48	90	175,5	134	1555
M70 x 2,0	50	62	100	175,5	141	2333

## Ball valves AL 3611, lead free

### Shutoff ball valves for hot and cold tap water

Full bore ball valve with long neck and solder fittings. Valve body made of DZR brass CW511 L (lead content  $\leq 0,1\%$ ), with steel handle and grafoil gasket. Dimension 42 and 54 is supplied with a slow closing handle.

Size range: DN12 – DN54

Pressure class: PN16 up to max. 85 °C

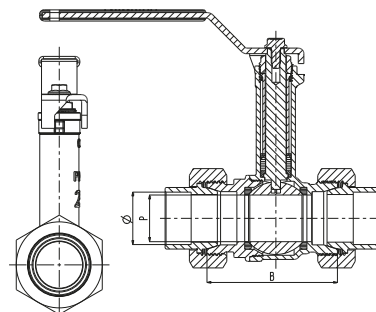
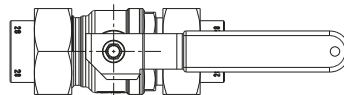
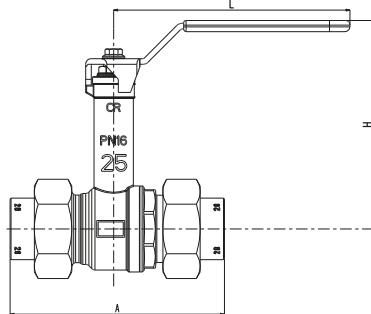
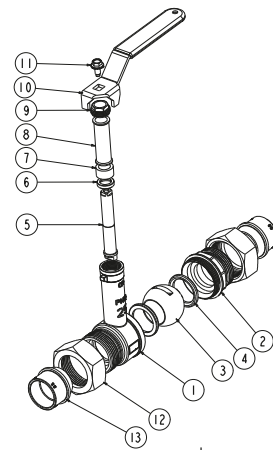
Temperature range, water:

PN16: 0–85 °C, PN10: 0–110 °C

Temperature range, air:

PN10: -10–110 °C

Used for installation with hot and cold tap water as well as air, neutral and non-combustible gases. Can also be used for heating systems. RISE type approval no: SC0594-16.



Item no	Model
5494966	12
5494967	15
5494968	18
5494969	22
5494970	28
5494971	35
5494972	42*
5494973	54*

\*Slow closing handle

No	Part	Material
1	Valve body	DZR brass
2	Fixed end	DZR brass
3	Ball	DZR brass
4	Seat	PTFE
5	Stem	DZR brass
6	Anti-friction ring	Brass
7	Gasket	Grafoil
8	Packing nut extension	Brass
9	Nut	Brass
10	Handle	Plastic coated corrosion treated steel
11	Screw	Corrosion treated steel
12	Nut	Brass
13	Coupling end	Brass

Ø	A (mm)	B (mm)	H (mm)	L (mm)	P (mm)	Weight (g)
12	78	50	96	80	10	320
15	91	55	99	90	15	440
18	100	60	102	90	20	620
22	100	60	102	90	20	620
28	115	70	112	125	25	1000
35	134	80	117	125	32	1450
42	150	90	134	174	40	2 310
54	160	100	142	174	50	3 550

Certifierad av RISE  
och godkänd  
enligt PBL.

RI  
SE

1002

## Ball valves AL 3611, low lead

### Shutoff ball valves for hot and cold tap water

Full bore ball valve with long neck. Without compression fittings. Valve body made of DZR brass CW511 L (lead content  $\leq 0,2\%$ ), with steel handle and grafoil gasket.

Size range: DN15 – DN50

Pressure class: PN16 up to max. 110 °C

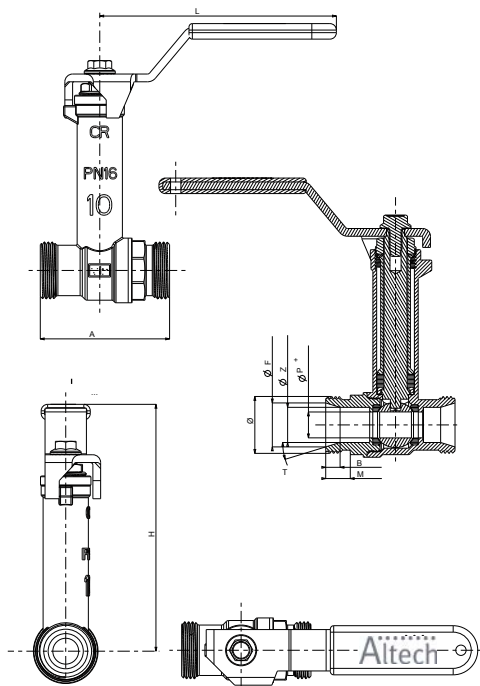
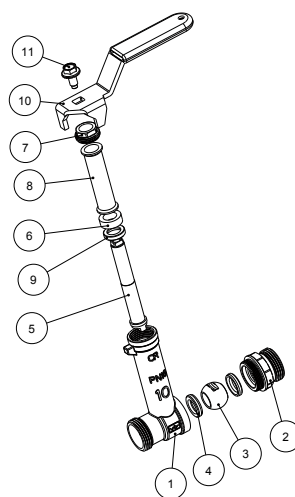
Temperature range, water:

PN16: 0–110 °C

Temperature range, air:

PN16: -10–100 °C

Used for installation with hot and cold tap water as well as air, neutral and non-combustible gases. Can also be used for heating systems. RISE type approval no: SC0594-16.



Item no	Model
4510269	15, M26 x 1,5
4510277	20, M34 x 1,5
4510285	25, M40 x 2,0
4510293	32, M50 x 2,0
4510301	40, M55 x 2,0
4510319	50, M70 x 2,0

No	Part	Material
1	Valve body	DZR brass
2	Fixed end	DZR brass
3	Ball	DZR brass
4	Seat	PTFE
5	Stem	DZR brass
6	Gasket	Grafoil
7	Nut	Brass
8	Packing nut extension	Brass
9	Anti-friction ring	DZR brass
10	Handle	Plastic coated corrosion treated steel
11	Screw	Corrosion treated steel

Ø	A (mm)	B (mm)	F (mm)	H (mm)	L (mm)	M (mm)
15, M26 x 1,5	55	6,5	21	98.2	91.5	11
20, M34 x 1,5	60	6,5	27	102	61.5	12
25, M40 x 2,0	70	7,4	33	111.6	126.5	14.4
32, M50 x 2,0	80	7,4	42	117.1	126.5	14.5
40, M55 x 2,0	90	8,2	48	131.2	142	15
50, M70 x 2,0	100	9	62	139	142	16.5

Ø	P (mm)	T (mm)	Z (mm)	Weight (g)
15, M26 x 1,5	15	17°	17	300
20, M34 x 1,5	20	17°	23	399
25, M40 x 2,0	25	17°	28.5	594
32, M50 x 2,0	32	17°	27.5	878
40, M55 x 2,0	40	17°	43	1 552
50, M70 x 2,0	50	17°	56.5	2 134

Certifierad av RISE och godkänd enligt PBL.

RISE

1002

## Ball valves AL 3613, low lead

### Shutoff ball valves for hot and cold tap water

Full bore ball valve with compression fittings. Valve body made of DZR brass CW511 L (lead content  $\leq 0,2\%$ ), with steel handle, grafoil gasket and blow-out proof stem.

Size range: DN12 – DN28

Pressure class: PN16

Temperature range, water: 0–110 °C

Temperature range, air: -10–100 °C

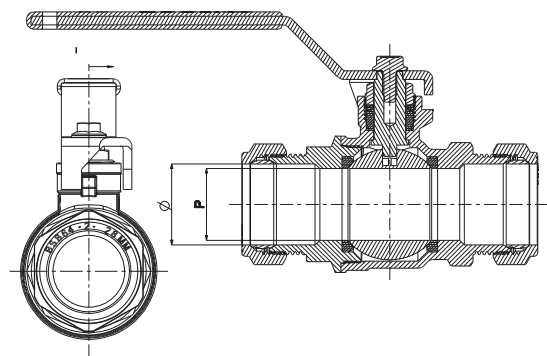
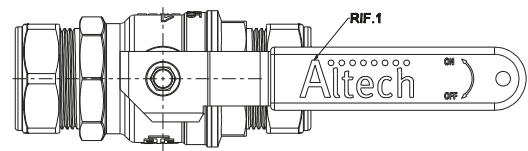
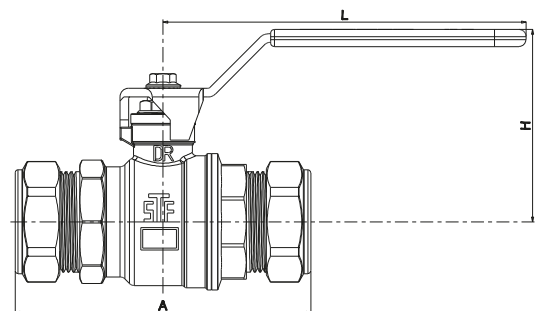
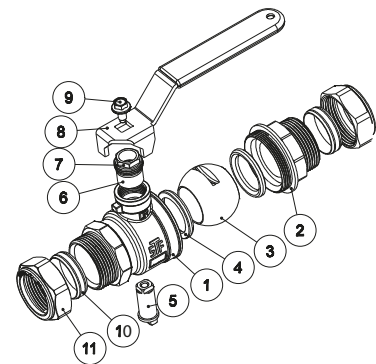
Used for installation with hot and cold tap water. Also used for brine systems, heating water, neutral and non-combustible gases, some lighter oils and compressed air. Can also be used for heating systems.



Item no	Model
4513917	12
4513925	15
4513941	18
4513958	22
4513966	28

No	Part	Material
1	Valve body	DZR brass
2	Fixed end	DZR brass
3	Ball	DZR brass
4	Seat	PTFE
5	Stem	DZR brass
6	Gasket	Grafoil
7	Nut	Brass
8	Handle	Plastic coated corrosion treated steel
9	Screw	Corrosion treated steel
10	Compression ring	Brass
11	Nut	Brass

Ø	A (mm)	H (mm)	L (mm)	P (mm)	Weight (g)
12	68	40	80	10	170
15	77	53	90	15	285
18	77	53	90	15	295
22	88	57	90	20	440
28	104	65	125	25	710



## Ball valves AL 3613, lead free

### Shutoff ball valves for hot and cold tap water

Full bore ball valve with compression fittings. Valve body made of DZR brass CW511 L (lead content  $\leq 0,1\%$ ), with steel handle, grafoil gasket and blow-out proof stem.

Size range: DN12 – DN28

Pressure class: PN16

Temperature range, water: 0–110 °C

Temperature range, air: -10–100 °C

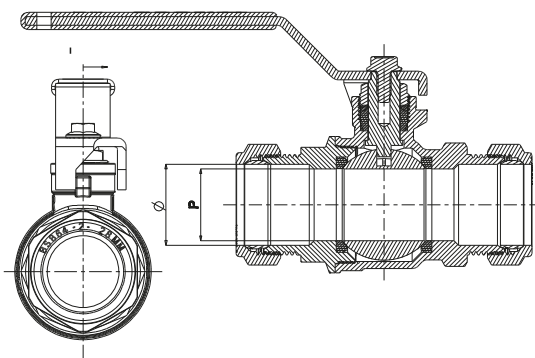
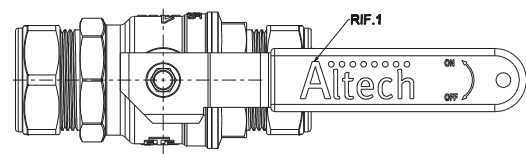
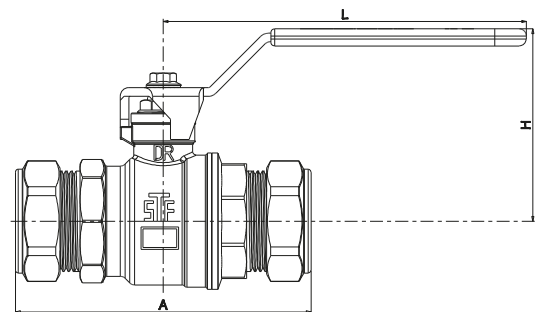
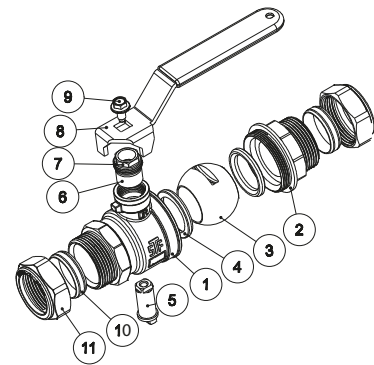
Used for installation with hot and cold tap water. Also used for brine systems, heating water, neutral and non-combustible gases, some lighter oils and compressed air. Can also be used for heating systems.



Item no	Model
5494974	12
5494975	15
5494976	18
5494977	22
5494978	28

No	Part	Material
1	Valve body	DZR brass
2	Fixed end	DZR brass
3	Ball	DZR brass
4	Seat	PTFE
5	Stem	DZR brass
6	Gasket	Grafoil
7	Nut	Brass
8	Handle	Plastic coated corrosion treated steel
9	Screw	Corrosion treated steel
10	Compression ring	Brass
11	Nut	Brass

Ø	A (mm)	H (mm)	L (mm)	P (mm)	Weight (g)
12	68	40	80	10	170
15	77	53	90	15	285
18	77	53	90	15	295
22	88	57	90	20	440
28	104	65	125	25	710



## Ball valves AL 3614, low lead

### Shutoff ball valves for hot and cold tap water

Full bore ball valve with long neck and compression fittings. Valve body made of DZR brass CW511 L (lead content  $\leq 0,2\%$ ), with steel handle, grafoil gasket and blow-out proof stem. Dimension 42 and 54 is supplied with a slow closing handle.

Size range: DN12 – DN54

Pressure class: PN16 up to max. 85 °C

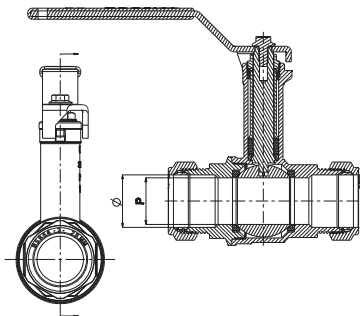
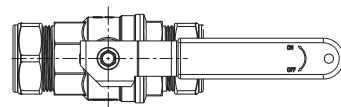
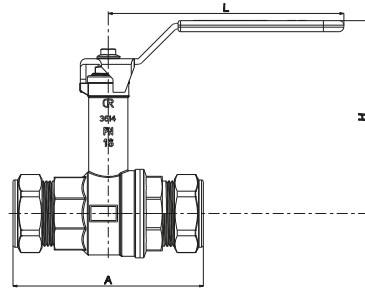
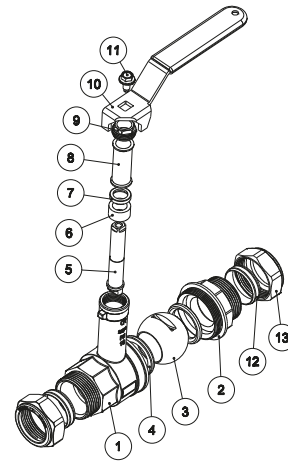
Temperature range, water:

PN16: 0–85 °C, PN10: 0–110 °C

Temperature range, air:

PN16: -10–110 °C, PN10: -10–100 °C

Used for installation with hot and cold tap water. Also used for brine systems, heating water, neutral and non-combustible gases, some lighter oils and compressed air. Can also be used for heating systems.



Item no	Model
4513986	12
4513987	15
4513989	18
4513990	22
4513991	28
4513992	35
4513994	42*
4513995	54*

\*Slow closing handle

No	Part	Material
1	Valve body	DZR brass
2	Fixed end	DZR brass
3	Ball	DZR brass
4	Seat	PTFE
5	Stem	DZR brass
6	Gasket	Grafoil
7	Anti-friction ring	DZR brass
8	Packing nut extension	Brass
9	Nut	Brass
10	Handle	Plastic coated corrosion treated steel
11	Screw	Corrosion treated steel
12	Compression ring	Brass
13	Nut	Brass

Ø	A (mm)	H (mm)	L (mm)	P (mm)	Weight (g)
12	68	82	80	10	250
15	77	85	90	15	360
18	77	85	90	15	370
22	88	89	90	20	500
28	104	104	125	25	870
35	119	109	125	32	1 160
42	132	119	176	40	2 060
54	160	127	176	50	3 350

## Ball valves AL 3614, lead free

### Shutoff ball valves for hot and cold tap water

Full bore ball valve with long neck and compression fittings. Valve body made of DZR brass CW511 L (lead content  $\leq 0,1\%$ ), with steel handle, grafoil gasket and blow-out proof stem. Dimension 42 and 54 is supplied with a slow closing handle.

Size range: DN12 – DN54

Pressure class: PN16 up to max. 85°C

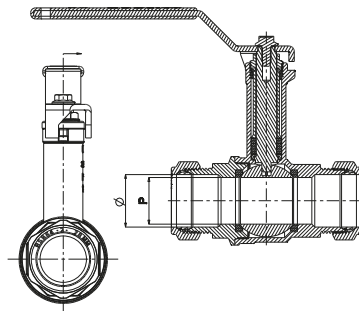
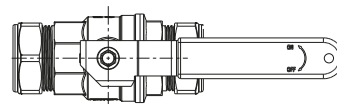
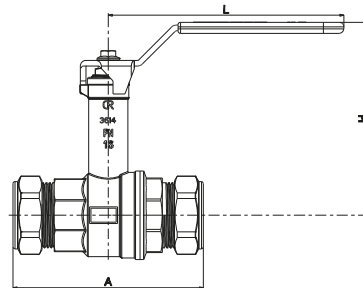
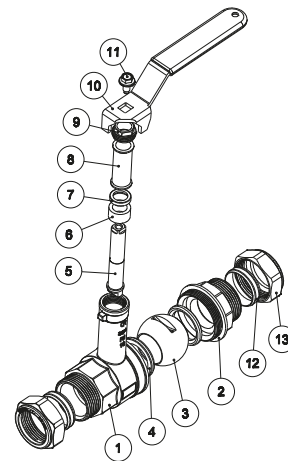
Temperature range, water:

PN16: 0–85 °C, PN10: 0–110 °C

Temperature range, air:

PN16: -10–110 °C, PN10: -10–100 °C

Used for installation with hot and cold tap water. Also used for brine systems, heating water, neutral and non-combustible gases, some lighter oils and compressed air. Can also be used for heating systems



Item no	Model
5494979	12
5494980	15
5494981	18
5494982	22
5494983	28
5494984	35
5494985	42*
5494986	54*

\*Slow closing handle

No	Part	Material
1	Valve body	DZR brass
2	Fixed end	DZR brass
3	Ball	DZR brass
4	Seat	PTFE
5	Stem	DZR brass
6	Gasket	Grafoil
7	Anti-friction ring	DZR brass
8	Packing nut extension	Brass
9	Nut	Brass
10	Handle	Plastic coated corrosion treated steel
11	Screw	Corrosion treated steel
12	Compression ring	Brass
13	Nut	Brass

Ø	A (mm)	H (mm)	L (mm)	P (mm)	Weight (g)
12	68	82	80	10	250
15	77	85	90	15	360
18	77	85	90	15	370
22	88	89	90	20	500
28	104	104	125	25	870
35	119	109	125	32	1 160
42	132	119	176	40	2 060
54	160	127	176	50	3 350

## Ball valves AL 3616, low lead

### Shutoff ball valves for hot and cold tap water

Full bore ball valve with long neck and pipe ends for press fittings. Valve body made of DZR brass CW511 L (lead content  $\leq 0,2\%$ ), with steel handle and grafoil gasket.

Size range: DN12 – DN54

Pressure class: PN16 up to max. 85 °C

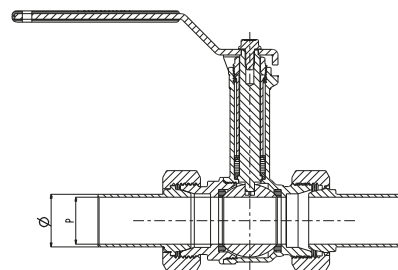
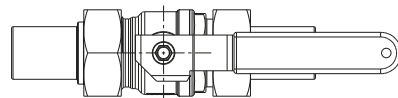
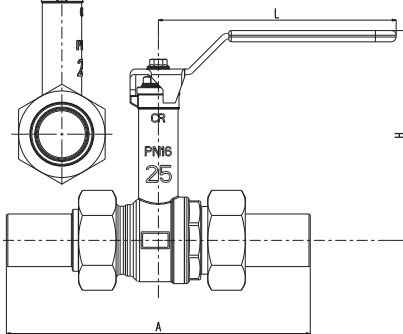
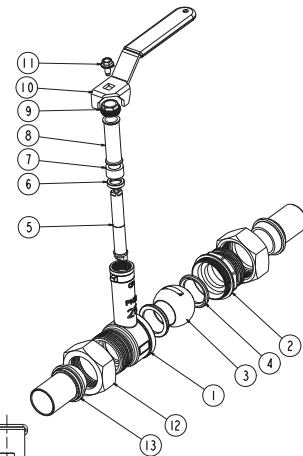
Temperature range, water:

PN16: 0–85 °C, PN10: 0–110 °C

Temperature range, air:

PN16: -10–85 °C, PN10: -10–100 °C

Used for installation with hot and cold tap water, as well as refrigeration systems, in pipe systems of galvanized steel, copper or stainless steel. For air, neutral, non-flammable gases and flammable liquids. Can also be used for heating systems.



Item no	Model
4510344	12
4510336	15
4510345	18
4510337	22
4510338	28
4510339	35
4510340	42
4510341	54

No	Part	Material
1	Valve body	DZR brass
2	Fixed end	DZR brass
3	Ball	DZR brass
4	Seat	PTFE
5	Stem	DZR brass
6	Anti-friction ring	Brass
7	Gasket	Grafoil
8	Packing nut extension	Brass
9	Nut	Brass
10	Handle	Plastic coated corrosion treated steel
11	Screw	Corrosion treated steel
12	Nut	Brass
13	Pipe end	Bronze

Ø	A (mm)	B (mm)	H (mm)	L (mm)	P (mm)	Weight (g)
12	133	50	96	80	10	330
15	140	55	99	90	15	440
18	146	60	102	90	20	650
22	146	60	102	90	20	660
28	160	70	112	125	25	1 032
35	180	80	117	125	32	1 570
42	214	90	134	174	40	2 510
54	247	100	142	174	50	3 890

## Ball valves AL 3616, lead free

### Shutoff ball valves for hot and cold tap water

Full bore ball valve with long neck and pipe ends for press fittings. Valve body made of DZR brass CW511 L (lead content  $\leq 0,1\%$ ), with steel handle and grafoil gasket.

Size range: DN12 – DN54

Pressure class: PN16 up to max. 85 °C

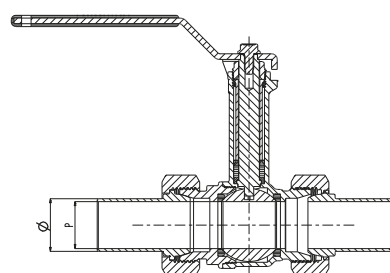
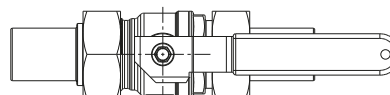
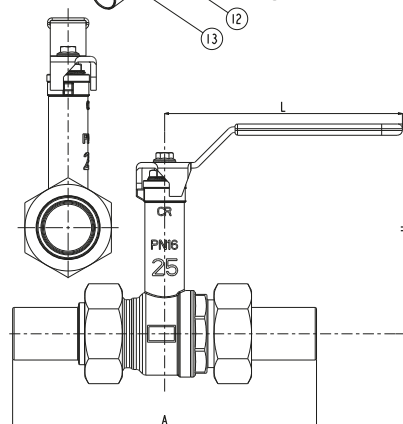
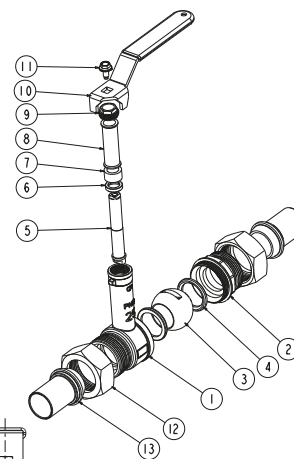
Temperature range, water:

PN16: 0–85 °C, PN10: 0–110 °C

Temperature range, air:

PN16: -10–85 °C, PN10: -10–100 °C

Used for installation with hot and cold tap water, as well as refrigeration systems, in pipe systems of galvanized steel, copper or stainless steel. For air, neutral, non-flammable gases and flammable liquids. Can also be used for heating systems. RISE type approval no: SC0594-16.



Item no	Model
5495079	12
5495080	15
5495081	18
5495082	22
5495083	28
5495084	35
5495085	42
5495086	54

No	Part	Material
1	Valve body	DZR brass
2	Fixed end	DZR brass
3	Ball	DZR brass
4	Seat	PTFE
5	Stem	DZR brass
6	Anti-friction ring	Brass
7	Gasket	Grafoil
8	Packing nut extension	Brass
9	Nut	Brass
10	Handle	Plastic coated corrosion treated steel
11	Screw	Corrosion treated steel
12	Nut	Brass
13	Pipe end	Bronze

Ø	A (mm)	B (mm)	H (mm)	L (mm)	P (mm)	Weight (g)
12	133	50	96	80	10	330
15	140	55	99	90	15	440
18	146	60	102	90	20	650
22	146	60	102	90	20	660
28	160	70	112	125	25	1 032
35	180	80	117	125	32	1 570
42	214	90	134	174	40	2 510
54	247	100	142	174	50	3 890

Certifierad av RISE  
och godkänd  
enligt PBL.

RI  
SE

1002

## Ball valves AL 5020, low lead

### Shutoff ball valves for hot and cold tap water

Full bore ball valve with press fittings. Valve body made of DZR brass CW511 L (lead content  $\leq 0,2\%$ ), with steel handle and blow-out proof stem.

Size range: DN12 – DN54

Pressure class: PN16 up to max. 85 °C

Temperature range, water:

PN16: 0–85 °C, PN10: 0–120 °C

Temperature range, air:

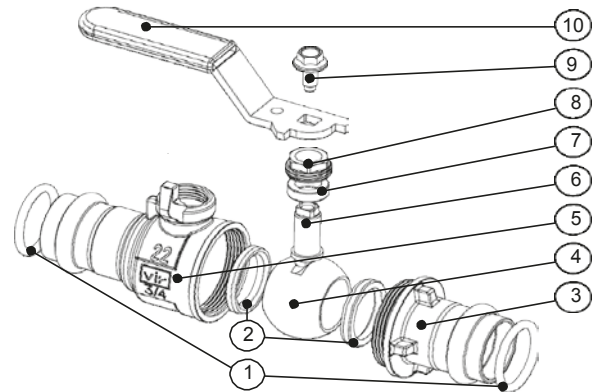
PN16: -10–85 °C, PN10: -10–120 °C

Used for installation with hot and cold tap water. Also used for brine systems, heating water and compressed air. Can also be used for heating systems.

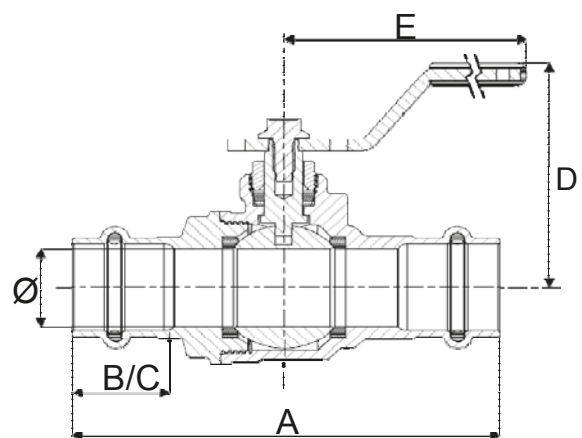


Item no	Model	Press profile
4510162	15	M / V
4510163	18	M / V
4510164	22	M / V
4510165	28	M / V
4510166	35	M / V
4510167	42	V
4510168	54	V

No	Part	Material
1	O-ring	EPDM
2	Seat	PTFE
3	Fixed end	Red brass
4	Ball	DZR brass
5	Valve body	Red brass
6	Stem	DZR brass
7	Gasket	PTFE
8	Nut	Brass
9	Screw	Corrosion treated steel
10	Handle	Plastic coated corrosion treated steel



Ø	A (mm)	B (mm)	C (mm)	D (mm)	E (mm)	Weight (g)	Kv (m³/h)
12	76	18	18	39.4	81.0	146	5.8
15	83	22	22	54.0	91.5	240	15.7
18	87	22	22	54.0	91.5	271	15.73
22	101	23	23	57.5	91.5	365	30.79
28	116	25	25	65.3	126.5	590	49.33
35	128	31	31	70.8	126.5	896	78.98
42	152	36	36	83.3	141.5	1 389	125.3
54	177	44	44	91.0	141.5	2 079	224.2



## Ball valves AL 5020L, low lead

### Shutoff ball valves for hot and cold tap water

Full bore ball valve with long neck and press fittings. Valve body made of DZR brass CW511 L (lead content  $\leq 0,2\%$ ) and steel handle.

Size range: DN15 – DN54

Pressure class: PN16 up to max. 85 °C

Temperature range, water:

PN16: 0–85 °C, PN10: 0–120 °C

Temperature range, air:

PN16: -10–85 °C, PN10: -10–120 °C

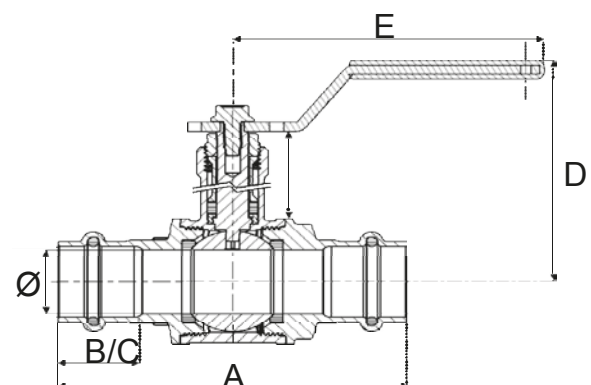
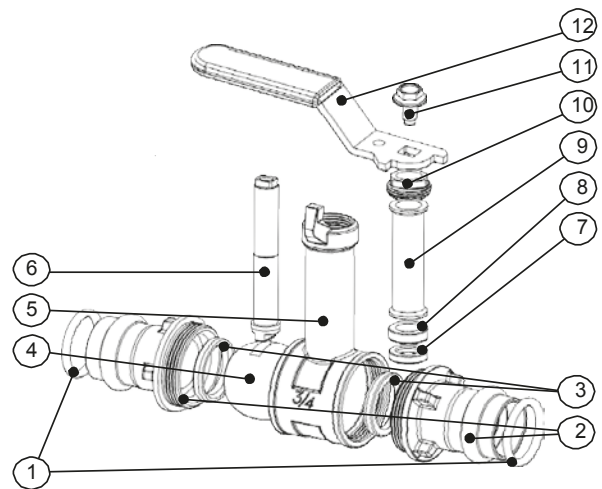
Used for installation with hot and cold tap water. Also used for brine systems, heating water and compressed air. Can also be used for heating systems.



Item no	Model	Press profile
4510169	15	M / V
4510170	18	M / V
4510171	22	M / V
4510172	28	M / V
4510173	35	M / V
4510174	42	V
4510175	54	V

No	Part	Material
1	O-ring	EPDM
2	Fixed end	Red brass
3	Seat	PTFE
4	Ball	DZR brass
5	Valve body	Red brass
6	Stem	DZR brass
7	Anti-friction ring	DZR brass
8	Gasket	PTFE
9	Packing nut extension	Brass
10	Nut	Brass
11	Screw	Corrosion treated steel
12	Handle	Plastic coated corrosion treated steel

Ø	A (mm)	B (mm)	C (mm)	D (mm)	E (mm)	Weight (g)
15	85	22	22	98.2	91.5	240
18	87	22	22	98.2	91.5	271
22	100	23	23	101.7	91.5	365
28	116	25	25	110.6	126.5	590
35	128	31	31	116.0	126.5	896
42	152	36	36	132.3	141.5	1389
54	177	44	44	140.0	141.5	2079



# Bib cock ball valves

## Bib cock ball valves for hot and cold tap water

Bib cock ball valve with male thread and hose union. Valve body in nickel plated brass with aluminium butterfly handle and blow-out proof stem.

Size range: G15 – G20

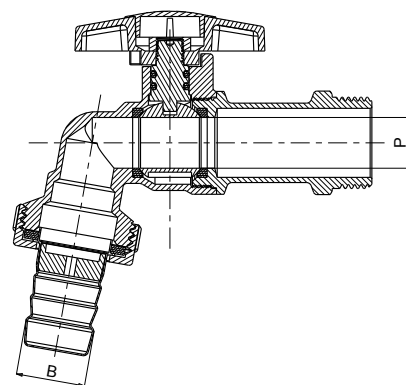
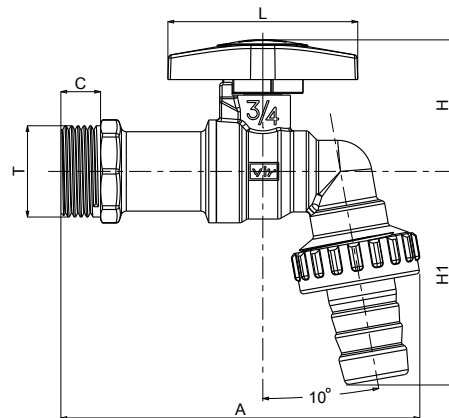
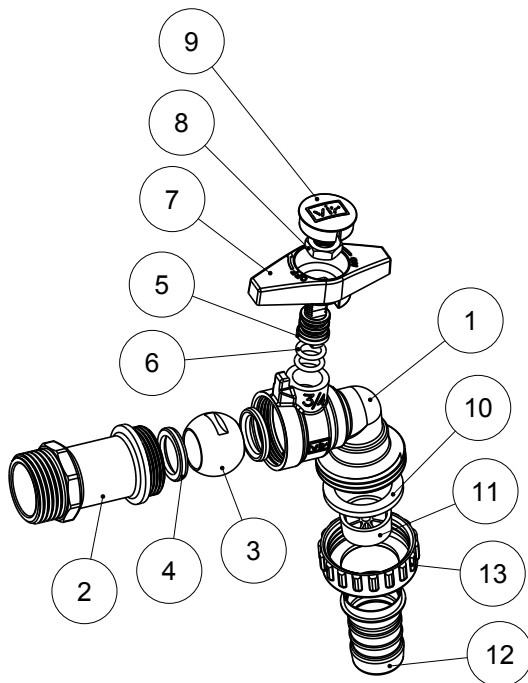
Pressure class: PN16

Working temperature 0–95 °C

Used for installation with hot and cold tap water. Can also be used with own water. RISE type approval no: SC0591-16.



Item no	Model
4501234	G15
4501362	G20



No	Part	Material
1	Valve body	Nickel plated brass
2	Fixed end	Nickel plated brass
3	Ball	Chrome plated brass
4	Seat	PTFE
5	Stem	Brass
6	O-ring	NBR 70SH
6b	Spring ring	Stainless steel
6c	Check cartridge	POM
7	Handle	Aluminium
8	Screw	Zinc plated steel
10	Gasket	NBR 70SH
11	Filter	Plastic
12	Hose union	Nickel plated brass
13	Ring	Nickel plated brass

Certifierad av RISE och godkänd enligt PBL.



DN	G	E (mm)	A (mm)	D (mm)	P (mm)	HA (mm)	HB (mm)	L (mm)	HF (mm)	F (mm)	Weight (gram)
15	1/2"	14.7	86.0	12.0	10.0	50	35	81	34	46	104
20	3/4"	20.0	104.0	11.5	14.7	62	45	91	38	55	260

## Ball valves, accessories



### Compression ring with nut

Item no	Model
110100	12
110102	15
110104	18
110106	22
110108	28
110110	35
110112	42
110114	54



### Compression ring

Item no	Model
86510	12
86511	15
86512	18
86513	22



### Stem extension

for AL 3600, 3603, 3605, 3610, 3613

Item no	Model
4511219	DN8 - DN10
4511220	DN15 - DN20
4511218	DN25 - DN32
4511226	DN40 - DN50



### Handle (screw excluded)

Item no	Model
Blue handle	
4503200	DN8 - DN10
4503202	DN15 - DN20
4503204	DN25 - DN32
4503206	DN40 - DN50
4503208	DN65 - DN80
Green handle	
4503201	DN8 - DN10
4503203	DN15 - DN20
4503205	DN25 - DN32
4503207	DN40 - DN50
White handle	
5197059	DN15 - DN20
5197060	DN25 - DN32
5197061	DN40 - DN50



### Screw for handle

Item no	Model
864150	DN8 - DN10
864151	DN15 - DN32
864152	DN40 - DN50
864153	DN65 - DN100



### Slow closing handle

for AL 3611, AL 3614

Item no	Model
4503209	DN40 - DN50

## Ball valves, accessories



### Butterfly handle

Item no	Model
Blue handle	
4511221	DN8 – DN10
4511222	DN15 – DN20
4511223	DN25 – DN32
4511224	DN40 – DN50
Red handle	
5197141	DN8 – DN10
5197142	DN15 – DN20
5197143	DN25 – DN32
5197144	DN40 – DN50



### Stainless steel handle

fits all Altech Ball valves

Item no	Model
4503216	DN8 – DN10
4503217	DN15 – DN20
4503218	DN25 – DN32
4503219	DN40 – DN50



### Locking mechanism

fits all Altech Ball valves

Item no	Model
4503210	DN8 – DN10
4503211	DN15 – DN20
4503212	DN25 – DN32
4503213	DN40 – DN50

# RECOMMENDED AREA OF USE

## EXPLANATION OF SIGNS

S	Suitable
NS	Not suitable
P.T.F.E.	BS6564: Part 2
Bronze	BS 1400 LG2 UNI 7013
Brass	P-Cu Zn40 Pb2 UNI-5705 G-Cu Zn38 Pb2 UNI-5035
DZR Brass	BS-2874 CZ 132 (DZR) BS-2872 CZ 132 (DZR)

SERVICE	MATERIAL			
	P.T.F.E.	Bronze	Brass	DZR Brass
Acetate Solvents	-	S	S	S
Acetic Acid - Dilute	S	S	NS	NS
Acetic Acid - Conc	S	S	NS	NS
Acetic Anhydride	S	NS	NS	NS
Acetone	S	S	S	S
Acetylene-Pure and Dry	S	NS	NS	NS
Alcohol, Amyl	S	S	S	S
Alcohol, Ethyl	S	S	S	S
Alcohol, Methyl	S	S	S	S
Alkaline Brines	-	-	NS	NS
Aluminium Sulphate-Alum	S	NS	NS	NS
Ammonia-Anhydrous	S	NS	NS	NS
Ammonium Chloride (Crude)	S	NS	NS	NS
Ammonium Hydroxide	S	NS	NS	NS
Ammonium Nitrate	S	NS	NS	NS
Ammonium Phosphate	S	NS	NS	NS
Ammonium Sulphate	S	NS	NS	NS
Amyl Acetate	S	-	NS	NS
Aniline; Aniline Oil	S	NS	NS	NS
Aniline Dyes	S	-	NS	NS
Asphalt	S	S	S	S
Barium Chloride	S	-	NS	NS
Barium Hydroxide	S	NS	NS	NS
Barium Sulphate	S	S	S	S
Barium Sulphide	S	NS	NS	NS
Beer	S	S	NS	S
Beet Sugar Liquors	S	S	NS	S
Benzene	S	S	S	S
(Coal Tar & Pet. Naphta) Benzoic Acid	-	-	NS	NS
Black Liquor		(See Sulfate Liquors)		
Bleaching Solutions	S	-	NS	NS
Borax	S	NS	NS	NS
Bordeaux Mixture	-	-	NS	NS
Boric Acid	S	S	NS	S
Brines	S	NS	NS	NS
Bromine Solution	S	NS	NS	NS
Butane	S	S	S	S
Butanol, Butyl Alcohol	-	S	S	S
Calcium Bisulfite	S	NS	NS	NS
Calcium Chloride	S	S	NS	S
Calcium Hydroxide	S	S	NS	S
Calcium Hypochlorite	-	NS	NS	NS
Calcium Sulfate	S	S	NS	S
Cane Sugar Liquors	-	-	NS	S
Carbolic Acid ("Phenol")	S	-	NS	NS
Carbon Dioxide (Dry Gas)	S	S	S	S

SERVICE	MATERIAL			
	P.T.F.E.	Bronze	Brass	DZR Brass
Carbon Disulfide	S	-	NS	NS
Carbonic Acid	-	-	NS	S
Carbon Tetrachloride	S	S	NS	S
Caustic Soda & Caustic Potash	S	NS	NS	NS
Cellosolve, Ethylene Glycol	-	S	S	S
Chlorinated Solvents-Dry	S	S	S	S
Chlorine Gas-Dry	-	S	S	S
Chlorine Gas-Wet	S	NS	NS	NS
Chromic Acid, Dilute	S	NS	NS	NS
Citric Acid	S	NS	NS	NS
Castor Oil	(See Vegetable oils)			
Coal Tar Solvents-Dry	-	S	S	S
Coke Oven Gas	-	NS	NS	NS
Copper Cyanide	-			
Copper Sulfate	S	NS	NS	NS
Core Oil	-	S	S	S
Corn Oil	-	S	S	S
Cotton seed Oil	-	-	S	S
Creosote; Cresols	-	-	NS	NS
Cresylic Acid	S	NS	NS	NS
Diesel Oil	-	S	-	NS
Drying Oils	-	-	S	S
Edible Oils	(See Vegetable oils)			
Epsom Salts	(See Magnesium Sulfate)			
Ethane	-	-	S	S
Ethers	S	S	S	S
Ethyl Acetate	(See Acetate Solvents)			
Ethyl Chloride-Pure	S	S	S	S
Ethyl Sulfate	S	S	S	S
Fatty Acids	(See Oleic Acids, Palmitic Acids)			
Ferric Chloride	S	NS	NS	NS
Ferric Sulfate	S	NS	NS	NS
Ferrous Sulfate	S	NS	NS	NS
Formaldehyde	S	S	NS	NS
Formic Acid	S	NS	NS	NS
Fruit Juices	S	S	NS	NS
Furfural	S	S	S	S
Fuels, Jet	S	S	S	-
Fuel Oils	S	S	S	S
Gallic Acid	S	S	S	S
Gases, Fuel or Hydrocarbon	S	S	NS	NS
Gases, Inert	S	S	S	S
Gasoline, Aviation	S	S	NS	NS
Gasoline, Refined	S	S	S	S
Gasoline, Unleaded	S	S	-	-
Gelatine	S	S	S	S
Glucose	S	S	S	S
Glue	S	S	S	S
Glycerine, Glycerol	S	S	S	S
Glycols	S	NS	S	S
Green Liquors	(See Sulfate Liquors)			
Helium	S	NS	NS	NS
Hydrochlorid Acid Muriatic Diluite (Cold)	S	NS	NS	NS
Hydrocyanatic Acid	S	NS	NS	NS
Hydrofluoric Acid (Cold)	-			
Hydrogen Gas	S	S	S	S
Hydrogen Peroxide	S	NS	NS	NS
Hydrogen Sulfide, Dry	S	NS	NS	NS

SERVICE	MATERIAL			
	P.T.F.E.	Bronze	Brass	DZR Brass
Hydrogen Sulfide, Wet	S	NS	NS	NS
Hypo	(See Sodium Thiosulfate)			
Iodine Solution	S	-	NS	NS
Kerosene	S	S	S	S
Lacquers	S	S	S	S
Lactic Acid Dilute	S	NS	NS	NS
Lime Sulfur	S	NS	NS	NS
Linseed Oil	(See Vegetabable oils)			
Lubricating Oils	S	S	S	S
Lye	(See Sodium Hydroxide)			
Magnesium Chloride	S	S	NS	S
Magnesium Hydroxide	S	S	NS	S
Magnesium Sulfate	S	S	NS	S
Maleic Acid	S	NS	NS	NS
Mercuric Chloride	S	-	NS	NS
Mercury	S	NS	NS	NS
Methane	S	S	S	S
Methanol	-	-	S	S
Methyl Chloride, Dry	S	S	S	S
Milk	S	NS	NS	NS
Molasses	S	NS	NS	NS
Monochlorobensene-Dry	S	S	S	S
Muriatic Acid	(See Hydrochloric Acid)			
Naptha, Coal Tar, Bensene, Bensol	S	S	S	S
Natural Gas, Refined	S	S	NS	NS
Natural Gas, Sour	-	NS	NS	-
Neon	-	-	S	S
Nickel Chloride, Dilute	S	-	-	NS
Nickel Sulfate	S	S	NS	S
Nitre Cake	(See Sodium Bisulfate)			
Nitric Acid, Dilute	S	NS	NS	NS
Nitrobenzene	S	S	S	S
Nitrogen	S	S	S	S
Oleic Acids	S	NS	NS	NS
Oxalic Acid	S	NS	NS	NS
Oxygen	S	S	S	S
Palmiatic Acids	S	NS	NS	NS
Pentane	S	S	S	S
Petroleum Oils & Solvents	-	-	S	S
Phenol	S	NS	NS	NS
Phosphoric Acid, Dilute	S	NS	NS	NS
Phthalic Acid	S	-	NS	NS
Picric Acid, Dilute	S	NS	NS	NS
Potassium Carbonate	S	S	NS	S
Potassium Chloride	S	S	NS	S
Potassium Cyanide	S	NS	NS	NS
Potassium Dichromate	-	NS	NS	NS
Potassium Hydroxide	S	NS	NS	NS
Potassium Nitrate	-	S	NS	NS
Potassium Permanganate	S	S	NS	NS
Potassium Sulphate	S	S	NS	S
Potassium Sulphide	S	NS	NS	NS
Potassium Sulphite	S	NS	NS	NS
Printing Inks	S	NS	S	S
Producer Gas	S	S	NS	S
Propane	S	S	S	S
Propyl Alcohol	-	S	S	S
Pyridine	S	S	S	S

SERVICE	MATERIAL			
	P.T.F.E.	Bronze	Brass	DZR Brass
Pyrogallic Acid: Pyrogalloi	S	S	NS	NS
Pyroligneous Acid	(See Acetic Acid)			
Red Oil	(See Oleic Acids)			
Return Condensate	-	S	NS	S
Rosin, Crude	S	-	NS	NS
Salammoniac	(See Ammonium Chloride)			
Salicylic Acid	S	S	NS	NS
Sewage	S	NS	NS	NS
Shellac	S	-	S	S
Sludge Acids	-	S	NS	NS
Soap	S	S	S	S
Sodium Acid Sulfate; Sodium Bisulfate	S	-	NS	S
Sodium Bicarbonate	S	S	NS	S
Sodium Carbonate, Soda Ash	S	NS	NS	NS
Sodium Chloride	S	S	NS	S
Sodium Cyanide	S	NS	NS	NS
Sodium Hydroxide	S	NS	NS	NS
Sodium Hypochloride, Dilute	S	NS	NS	NS
Sodium Hyposulfite: Hypo	(See Sodium Thiosulfate)			
Sodium Metaphosphate	-	S	NS	S
Sodium Nitrate, Dilute	-	NS	NS	NS
Sodium Perborate	S	-	NS	NS
Sodium Peroxide, solution	S	NS	NS	NS
Sodium Phosphate; 5 %	S	NS	NS	NS
Sodium Silicate, Dilute	S	S	NS	S
Sodium Sulfate	S	S	NS	S
Sodium Sulfide	S	NS	NS	NS
Sodium Thiosulfate	S	NS	NS	NS
Soja (Soy) Bean Oil	(See Vegetable oils)			
Stearic Acid	-	S	S	S
Steam (below 121 °C)	-	S	-	-
Sulfate Liquors (Green)	-	NS	NS	NS
Sulfur (Molten)	-	NS	NS	NS
Sulfur Chloride	-	-	NS	NS
Sulfur Dioxide-Dry	-	S	S	S
Sulfur Trioxide	-	-	NS	NS
Sulfuric Acid, 95-100 %	S	-	NS	NS
Sulfuric Acid, 75-95 %	S	NS	NS	NS
Sulfuric Acid, 10-75 %	S	NS	NS	NS
Sulfuric Acid, Fuming (oleum)	S	NS	NS	NS
Sulfurous Acid	S	S	NS	NS
Tannery Liquors	-	S	NS	NS
Tannic Acid	S	S	NS	NS
Tar	S	S	NS	S
Tartaric Acid	S	NS	NS	NS
Titanium Chloride-Dry	-	S	S	S
Toluene; Toluol	-	S	S	S
Trichloroethylene	S	S	S	S
Triethanolamine	S	-	NS	NS
Trisodium Phosphate (TSP)	-	-	NS	S
Turpentine	S	S	NS	S
Urea	S	-	NS	S
Varnish	S	S	NS	S
Vegetable Oils, Castor Oil	S	-	S	S
Vinegar	S	NS	NS	NS
Water-Fresh	S	S	S	S
Water-Salt	S	S	NS	S
Water-Mine Acide	S	NS	NS	NS

SERVICE	MATERIAL			
	P.T.F.E.	Bronze	Brass	DZR Brass
Whiskey	S	NS	NS	NS
White Liquor	S	-	NS	NS
Wine	S	S	NS	S
Zinc Chloride	S	NS	NS	NS
Zinc Sulfate	S	S	NS	S
Zylene; Xylol	-	S	S	S



Altech<sup>®</sup>

Distributed by:  
Saint-Gobain Distribution Sweden AB  
For technical support, please contact us at  
020-55 11 00 or [tk@altech.nu](mailto:tk@altech.nu)