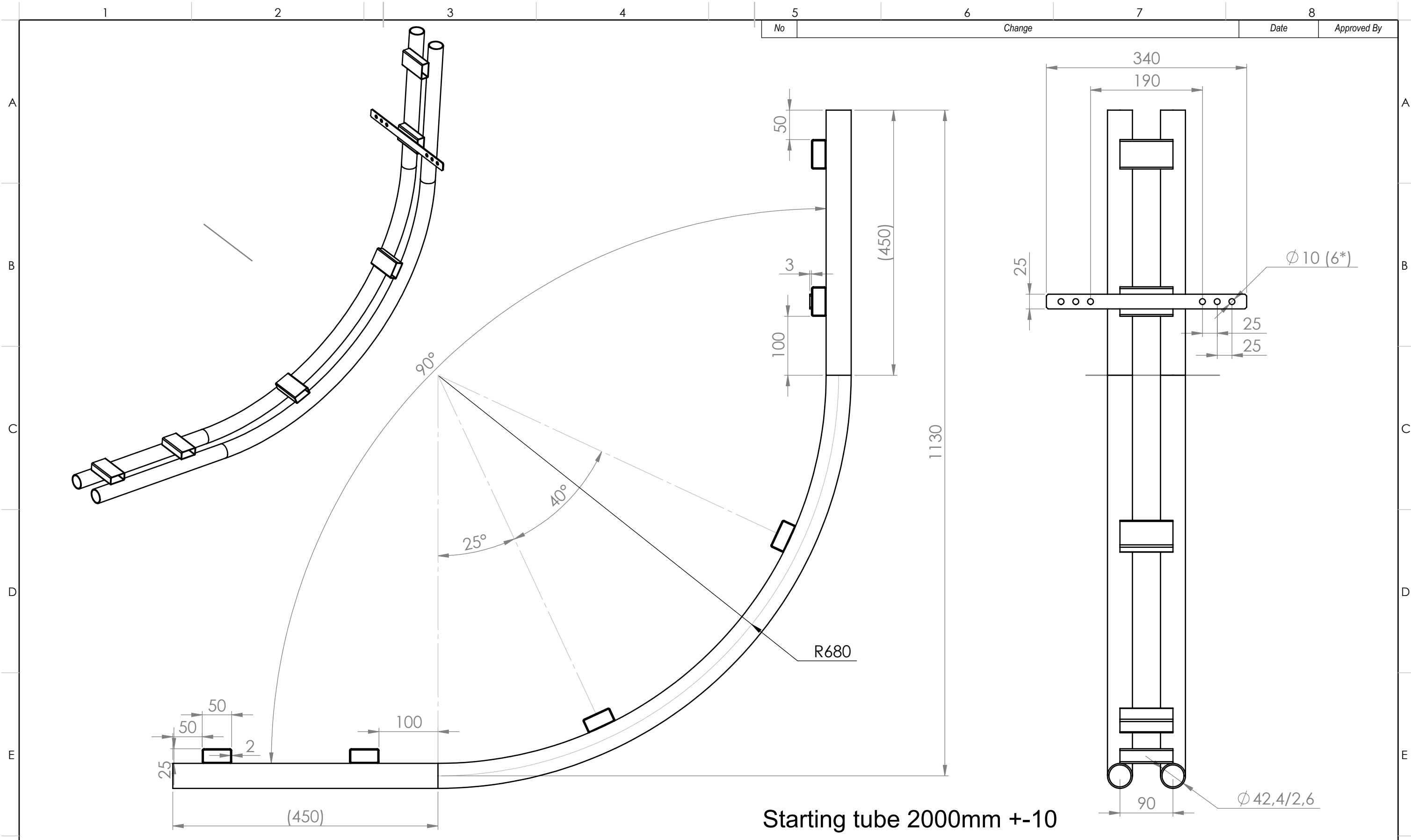
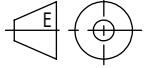


This document must not be copied without our written permission, and the contents thereof must not be imparted to a third party nor be used for any unauthorized purpose. Contravention will be prosecuted.



Starting tube 2000mm +/-10

Constructed By <b>KH</b>	Drawn By	Created Date <b>2018-01-28</b>	Approved By	General Tolerance	Scale	
Material	Title / Description <b>Fixture 700-A</b>			Article No	Revision	
Owner				Article No	Revision	Sheet <b>1 (1)</b>