

art.M02434

art.418522

ACO


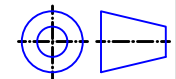
DN315

DN160

DN110

for pipe DN300
for pipe DN160
for pipe DN110

DN300/OD 315

| | | | | |
|----------------------------|------|----------------------------------|--------------------------------|---|
| Material | | Mass | |  ACO Industries Tábor s.r.o. Průmyslová 1158 Tel.: 381474600 391 02 Sezimovo Ústí Fax: 381632550 www.aco-industries.cz |
| Tolerance TKV_06 | | 7,13 kg Tolerance for welding | | |
| Created by | Date | Name | Scale | Projection: ISO-E  The reproduction, distribution and utilization of this document as well as the communication of its contents to others without express authorization is prohibited. |
| Reviewed by | | | | |
| Update | | | | |
| Prowell_33_315/160/110 | | | Drawing NO. N321-2071-08-00 | |
| art.418526 | | | Index | |
| | | | List: 1 / 2 | |
| | | | A3 | |