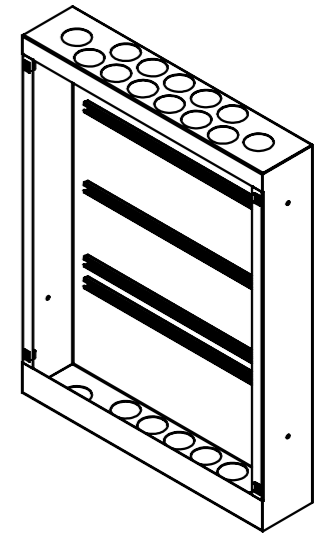
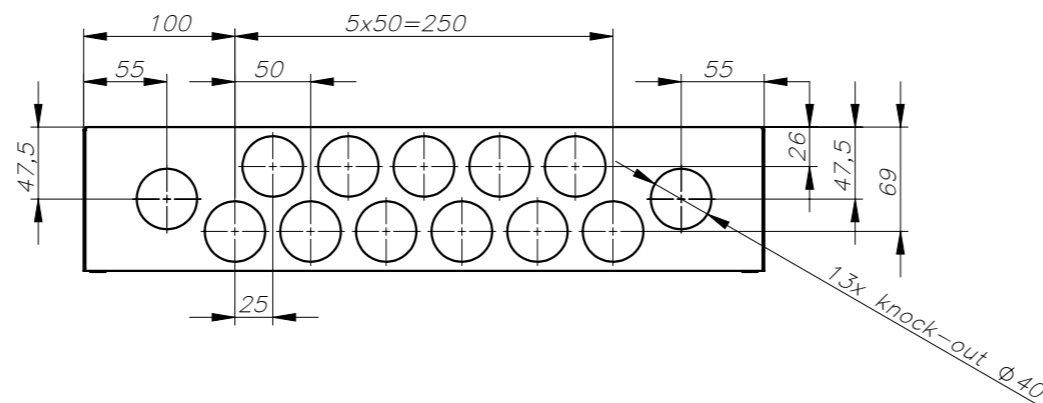
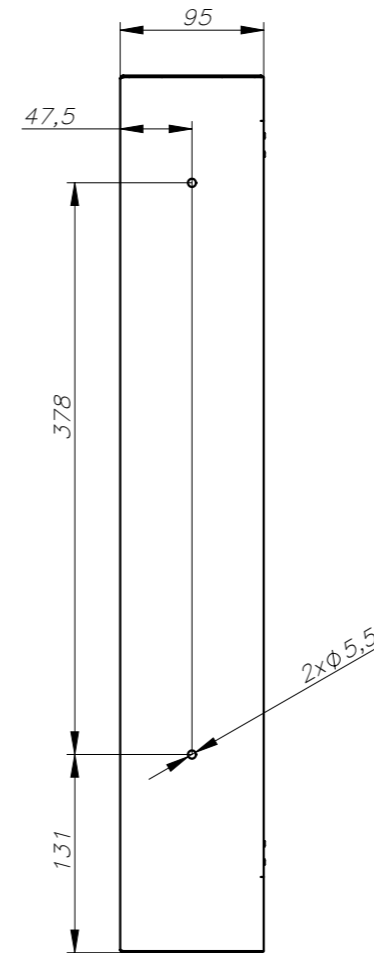
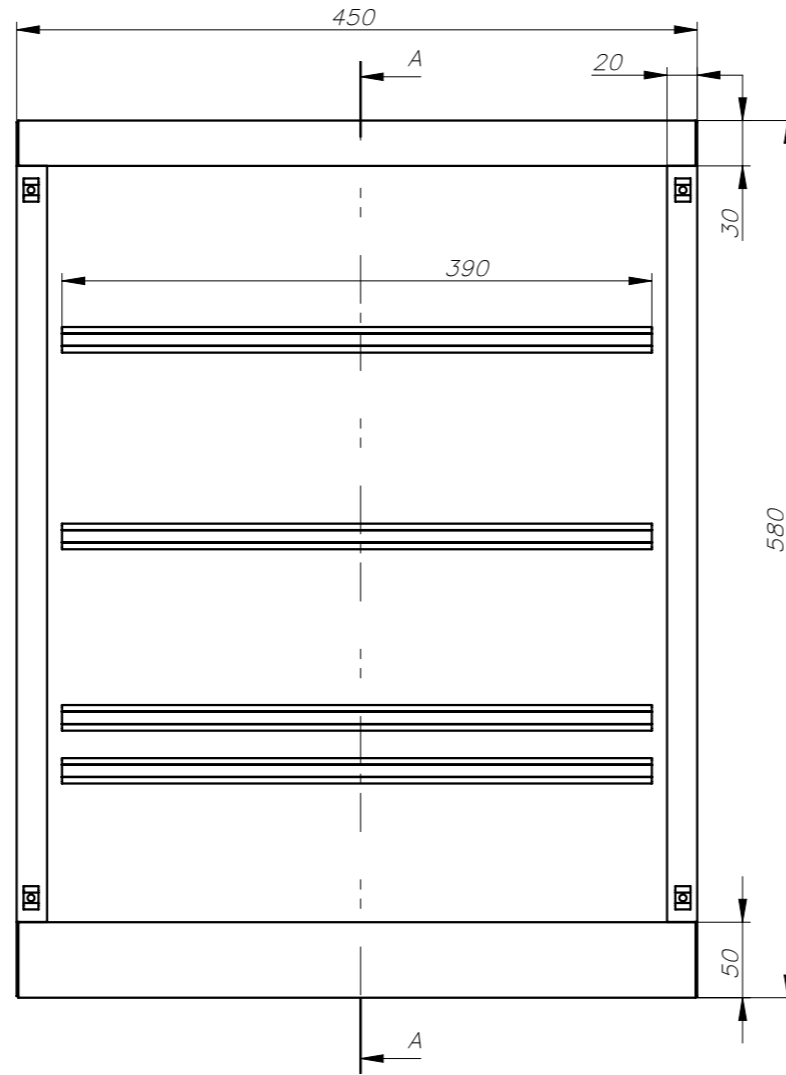
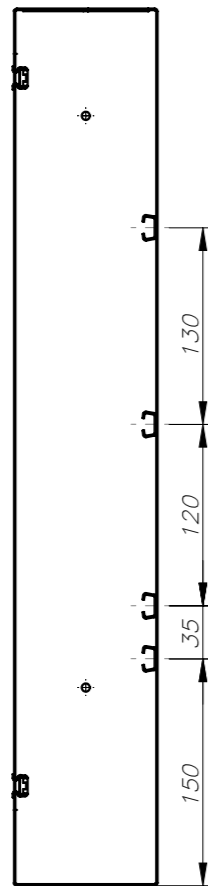


CROSS-SECTION A-A



	<b>Division: DTB</b>	Constructed:				Mass:
		Draughted:				Date of printing:
		Checked:				2016-01-22
		Approved:				Material:
Scale A3					No of drawing:	