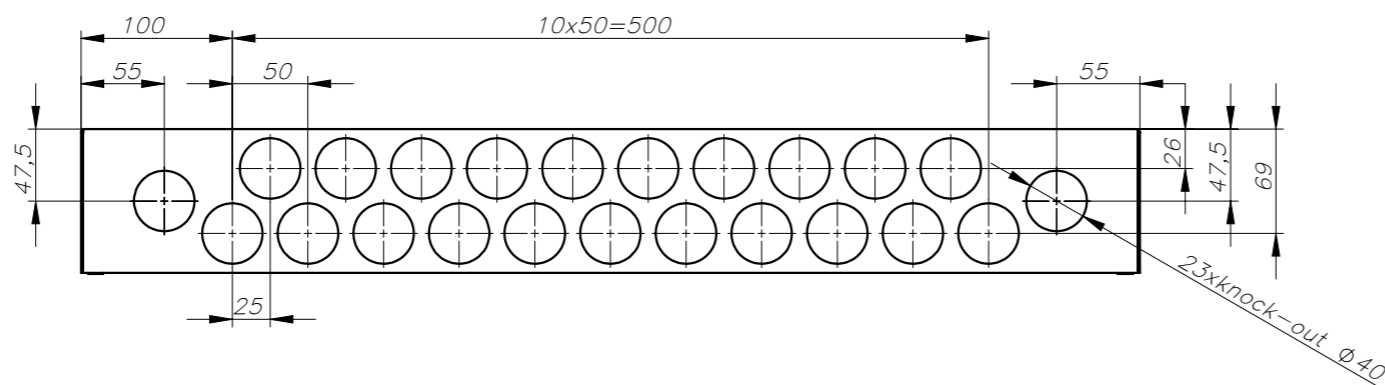
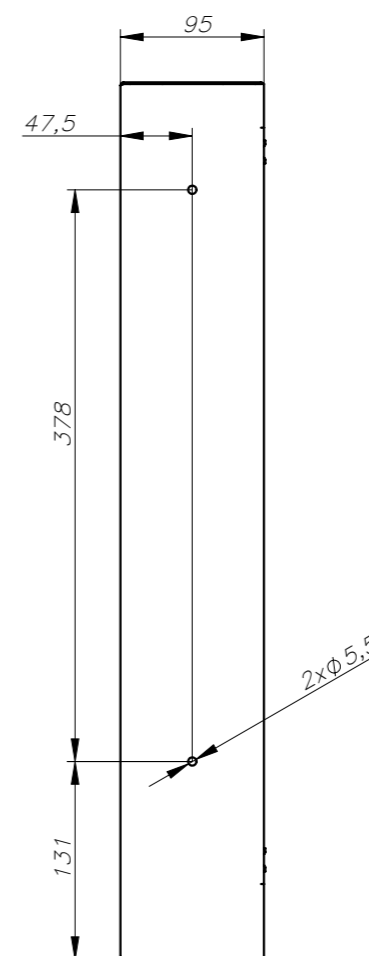
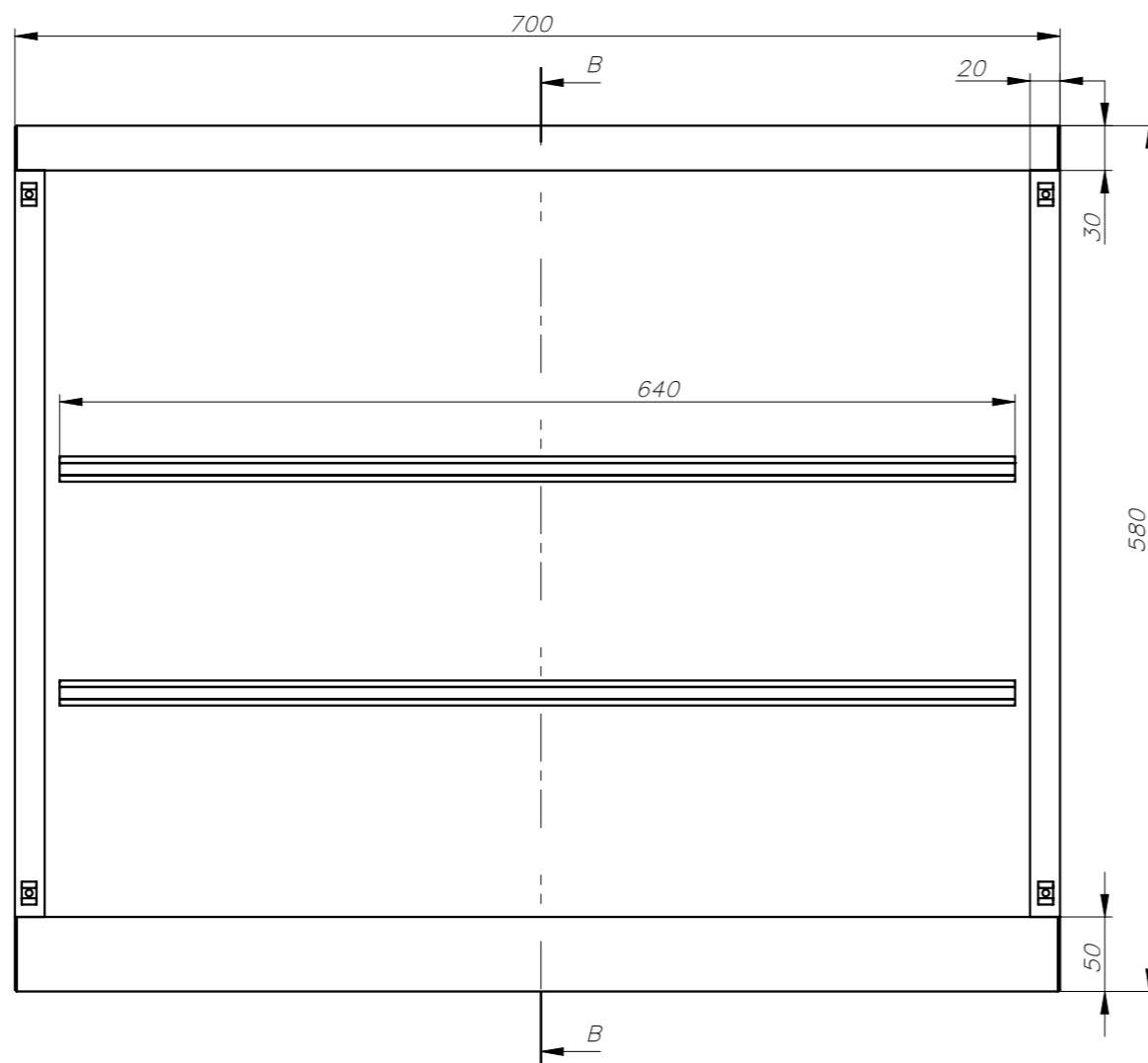
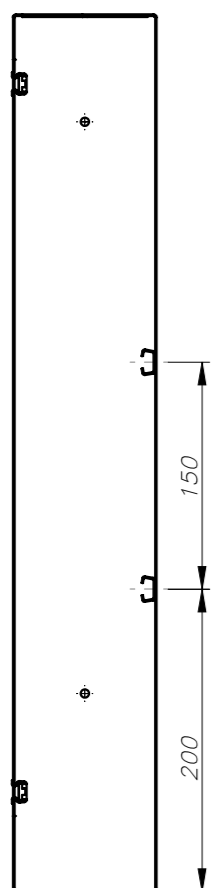


CROSS-SECTION B-B



| | | | | | |
|----------|------------------|--------------|--|----------------|-------------------|
| | Division: DTB | Constructed: | | | Mass: |
| | | Draughted: | | | Date of printing: |
| | | Checked: | | | 2016-01-22 |
| | | Approved: | | | Material: |
| Scale A3 | | | | No of drawing: | |