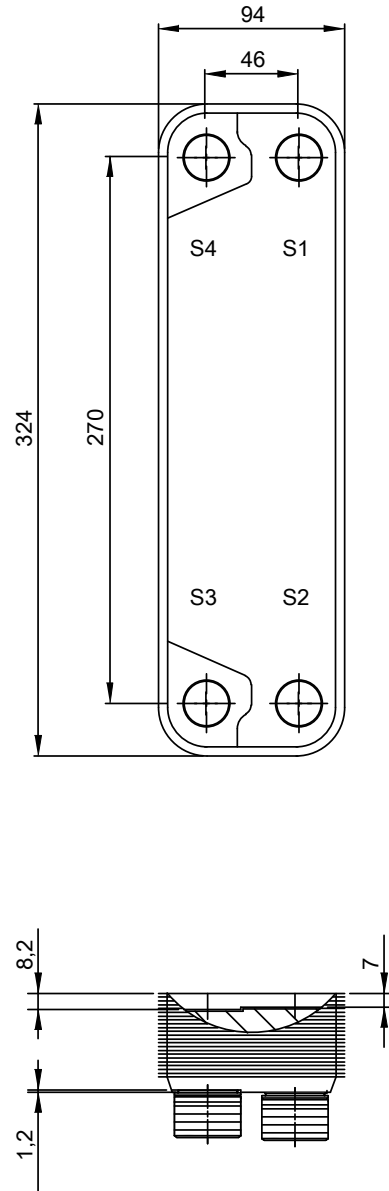
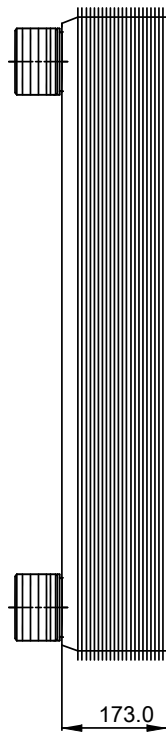
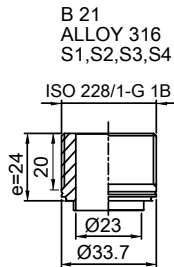


Note that all unique customer requirements (i.e tolerance) need to be verified thru Alfa Laval.



Frameplate is depressed 1.2 mm at connection S3/S4  
 Pressureplate is depressed 1.2 mm / even number of channel  
 plates at connections T3/T4 / uneven number of channel plates at  
 connections T1/T2.

T1 T2 T3 T4 locations on back side  
 correspond to S1 S2 S3 S4 on front side

HEATING SURFACE m<sup>2</sup>  
 NETWEIGHT 9.7 kg  
 OPERATING WEIGHT kg  
 PLATE MATERIAL ALLOY 316  
 PLATE GROUPING 1\*54H/1\*55H

ALL DIMENSIONS IN MILLIMETERS

SIDE	MEDIA	INLET	TEMP.	OUTLET	TEMP.	FLOW RATE	PRESSURE DROP	LIQUID VOL.
1	Water	S1	°C	S2	°C	kg/h	kPa	1.5 dm <sup>3</sup>
2	Water	S3	°C	S4	°C	kg/h	kPa	1.5 dm <sup>3</sup>

PRESSURE VESSEL APPROVAL

PED

CB20-110H (3287000021)

www.alfalaval.com

CUSTOMER NAME / REF. NO.

TOTAL LENGTH 197 mm  
 TOTAL WIDTH 94 mm  
 TOTAL HEIGHT 324 mm

COMPANY / REF.  
 Alfa Laval Nordic AB

4/23/2019  
 REV 0