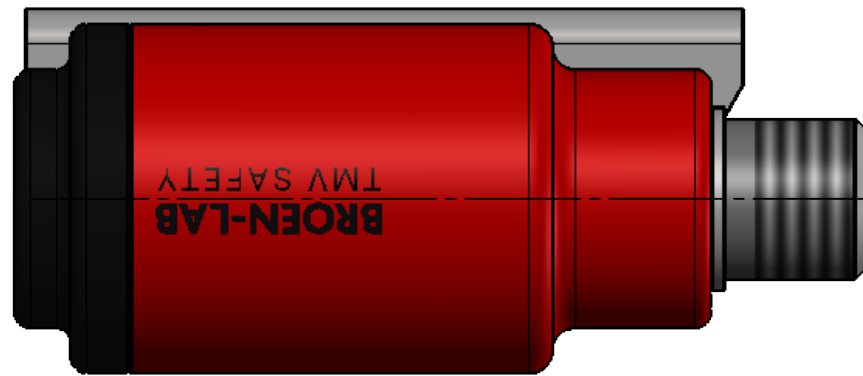
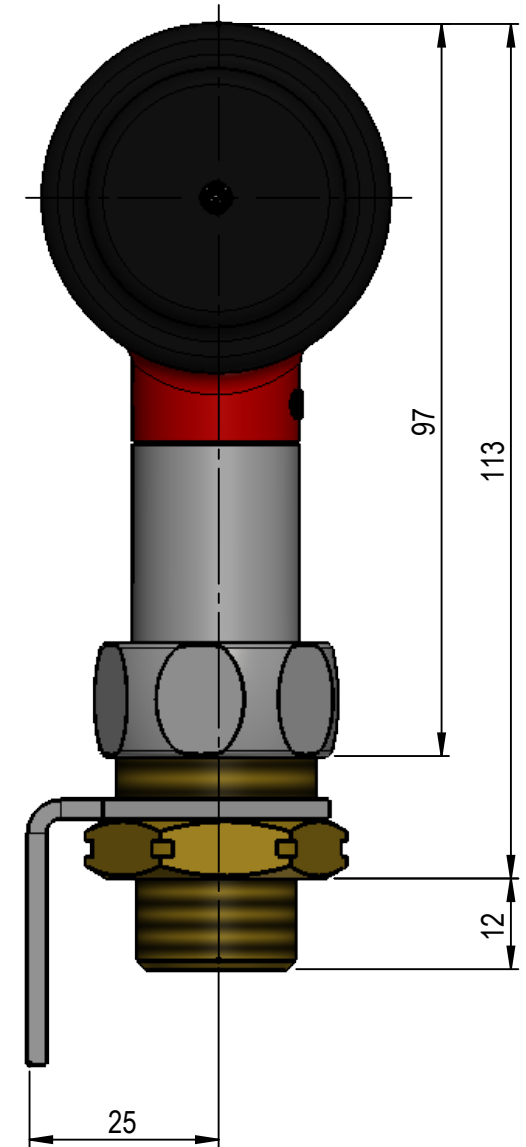
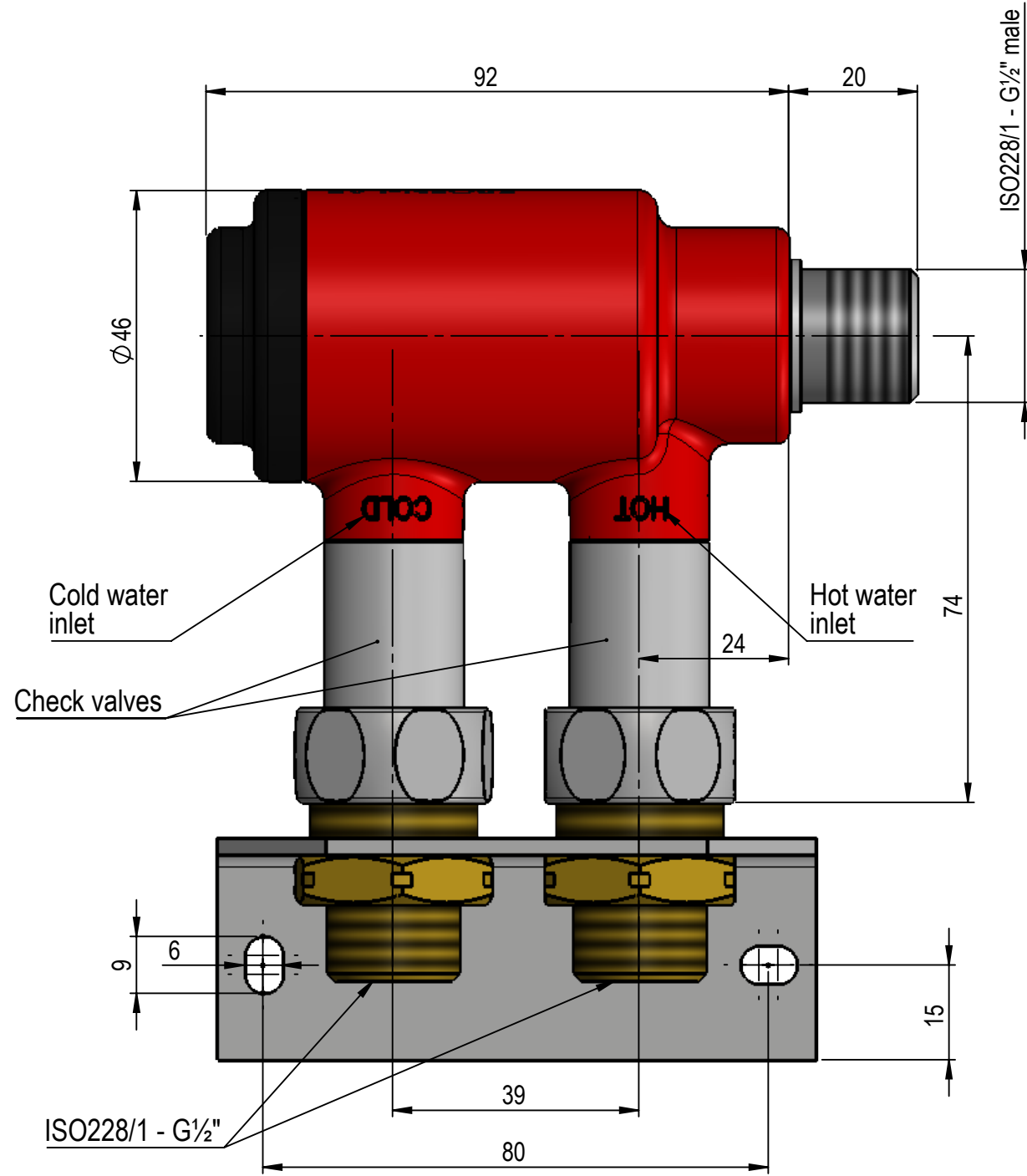


Area of Application:
 Wall mounted
 Hot and cold water
 Min. Working pressure 1 Bar
 Max. working pressure 10 bar

Temperature set at 22°C
 Materials in media contact:
 Brass
 Chrome plated, Brass
 Rubber, EPDM
 Silicone based lubricant
 POM

Inlet / Outlet connection:
 ISO228/1 - G $\frac{1}{2}$ "
 ISO228/1 - G $\frac{1}{2}$ "



Description: , Wall mounted, ISO228/1 - G $\frac{1}{2}$ ", Thermostatic mixing valve, , ISO228/1 - thread male										
					Media: Hot and cold water					
					Comments: Intentional leak					
					Drawing type: Customer drawing			Weight: 0.915 Kg		
Rev.	Pos.	Date	TM No.	Design by	Drawn by:	Change:	Designed by: NSC	Drawn by: VEF	Released on TM No. 9483	Date (DD-MM-YY): 20-02-23
BROEN-LAB <small>This drawing is our property and cannot be given to a third party, copied or otherwise used without our permission. BROEN-LAB A/S.</small>							Format: A3		Drawing No.: 27030071035	