

8

7

6

5

4

3

2

1

D

D

C

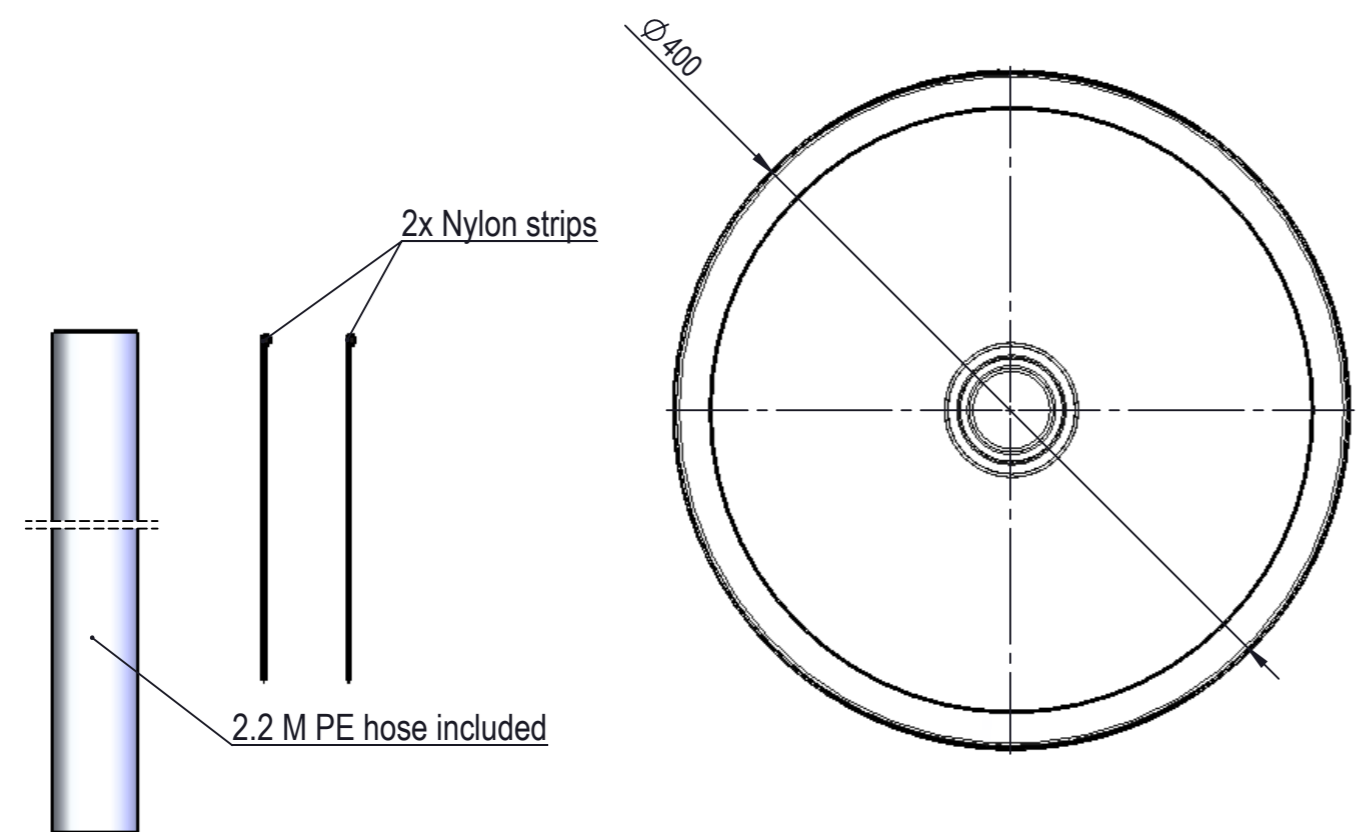
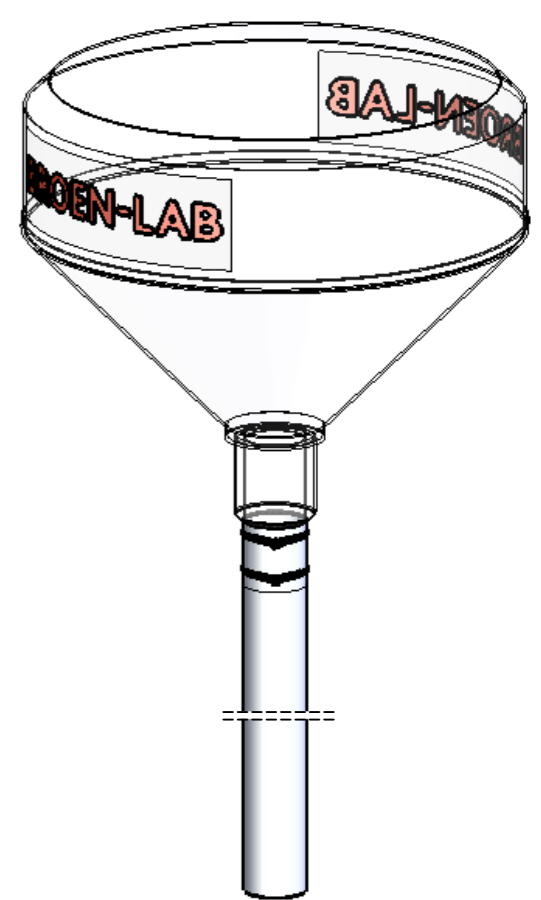
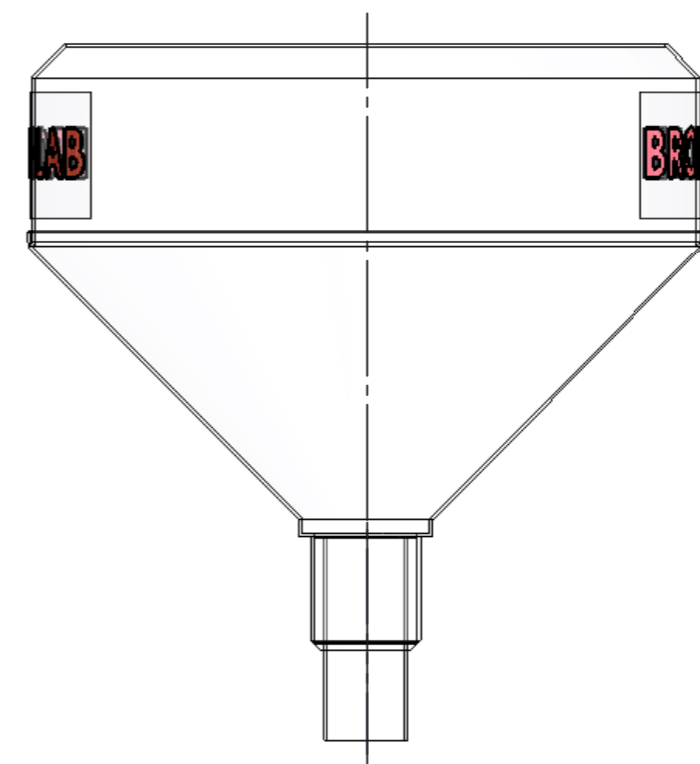
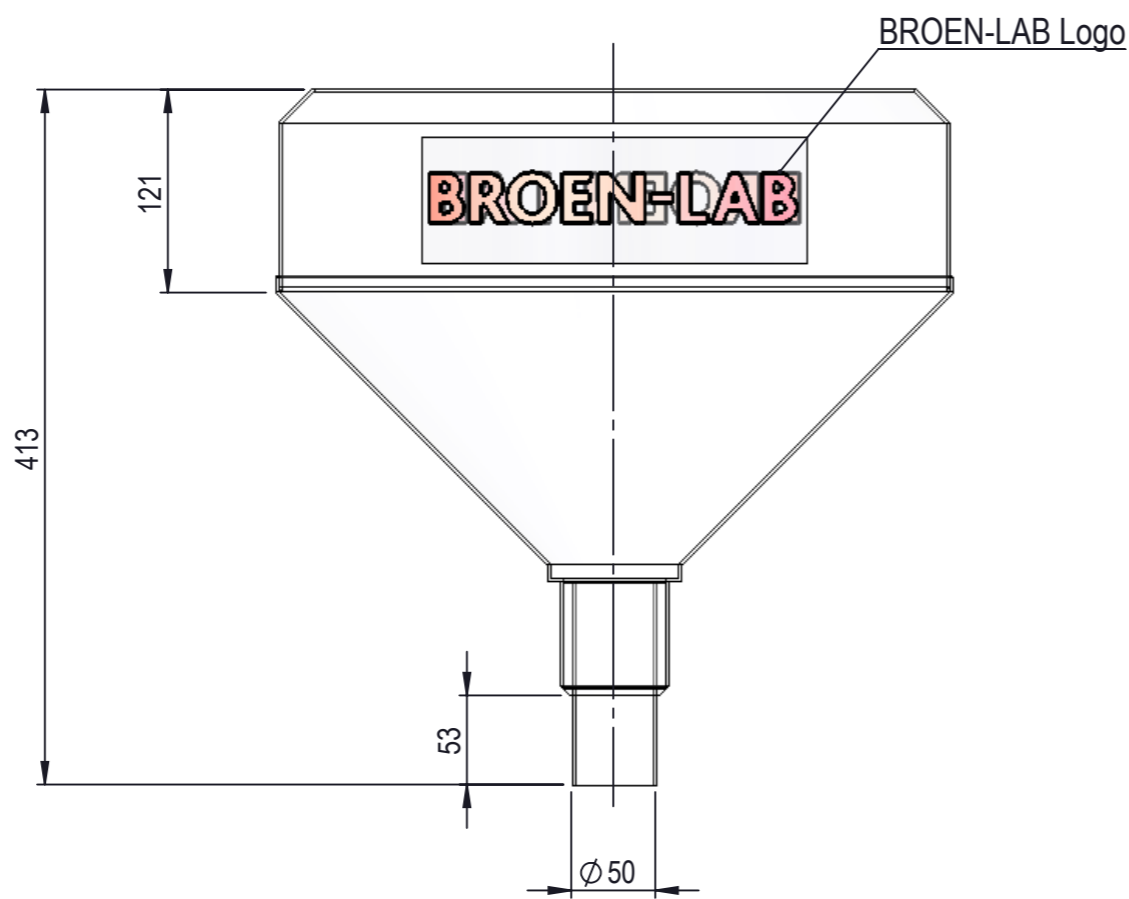
C

B

B

A

A



Description:		Funnel for test	
Media:		Water	
Material:			
Specification:			
Comments:			
Drawing type:		Customer drawing	Weight: 0.970 Kg
All dimensions made with  are inspection dimensions			
Unspecified linear tolerances:		Unspecified angular tolerances:	
Designed by:	Drawn by:	Released on TM No.:	Date:
JAK	MWA		13-09-17
Format:	Drawing No.:	1700108C	
A3			

Rev.	Pos.	Date	TM No.	Design by	Drawn by	Change:

This drawing is our property and cannot be given to a third party, copied or otherwise used without our permission. BROEN-LAB A/S

**BROEN-LAB**

