

8

7

6

5

4

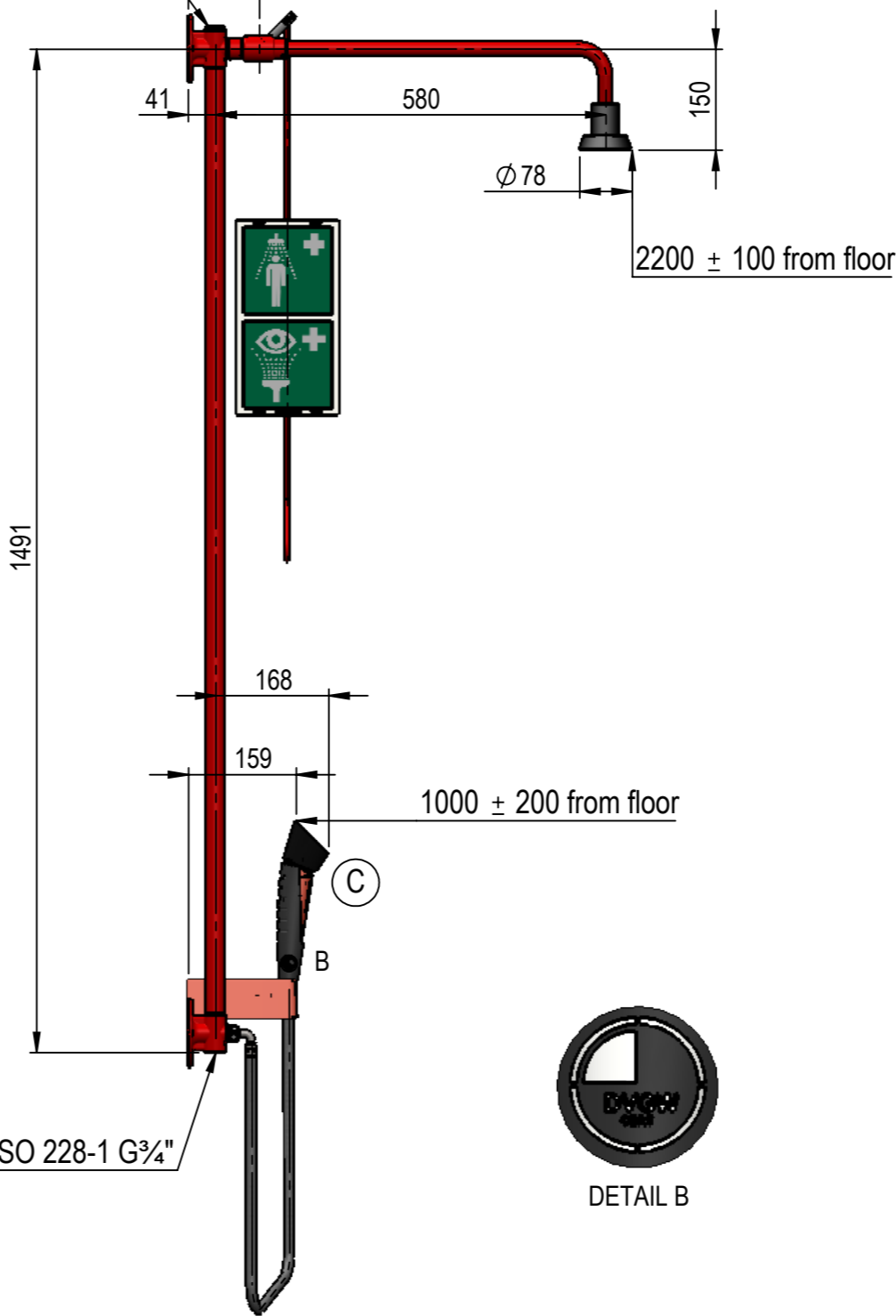
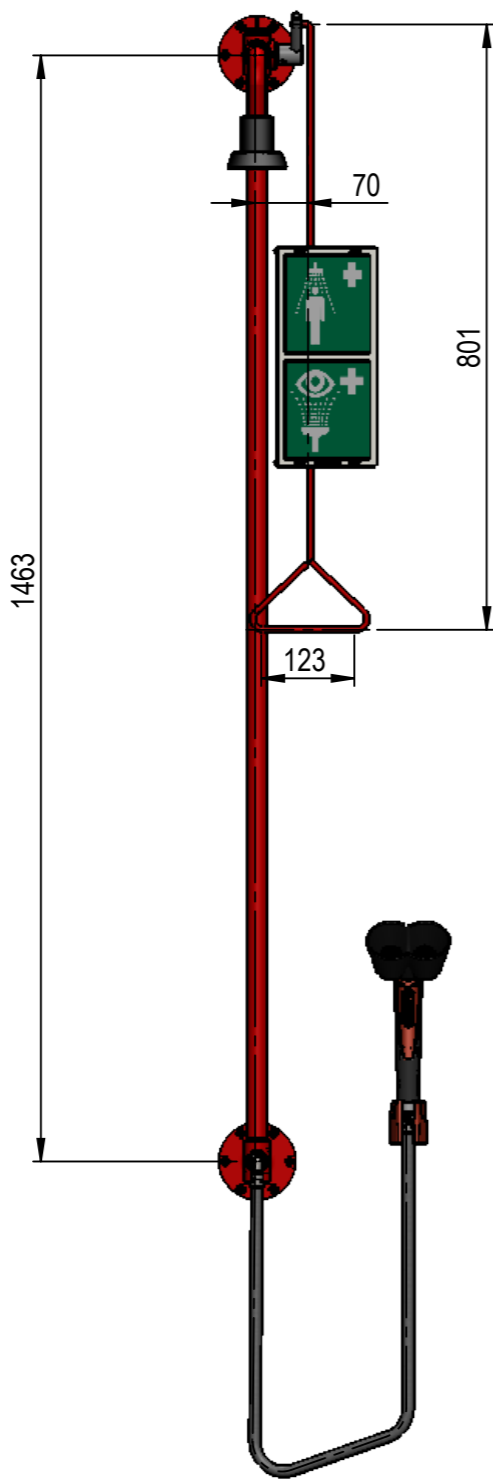
3

2

1

Inlet:

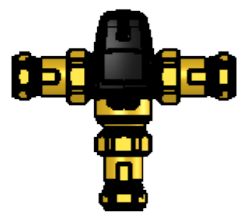
Female ISO 228-1 G³/₄"



Inlet:

Female ISO 228-1 G³/₄"

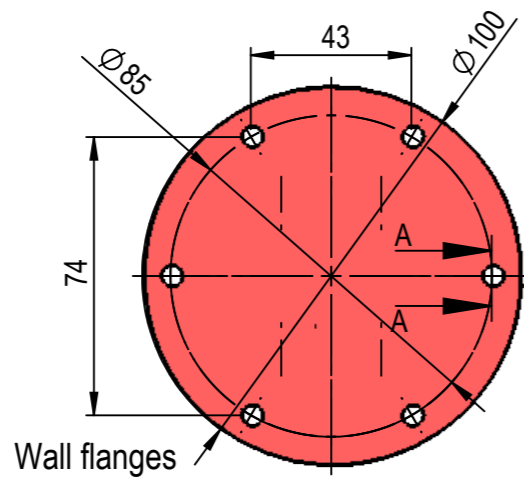
Thermostatic mixing valve 17512009



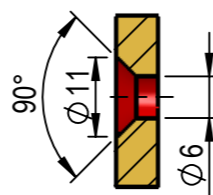
Cable for pull rod 1790164



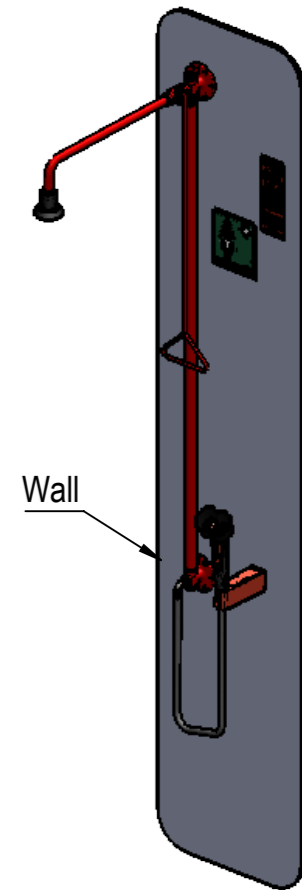
Signs & Instructions: 17001920



SECTION A-A



DETAIL B



Description:		Body and eye shower; Wall mounted	
Media:		Water	
Material:			
Specification:		Handheld eye shower	
Comments:			
Drawing type:		Customer drawing	Weight: 6.390 Kg
All dimensions marked with are inspection dimensions			
Unspecified linear tolerances:		Unspecified angular tolerances:	
Designed by:	Drawn by:	Released on TM No.:	Date:
NSC	CGL	9651	17-05-23
Format:	Drawing No.:		27435350081101
A3			

Rev.	Pos.	Date	TM No.	Design by	Drawn by	Change:

This drawing is our property and cannot be given to a third party, copied or otherwise used without our permission. BROEN-LAB A/S

BROEN-LAB

