

8

7

6

5

4

3

2

1

D

D

C

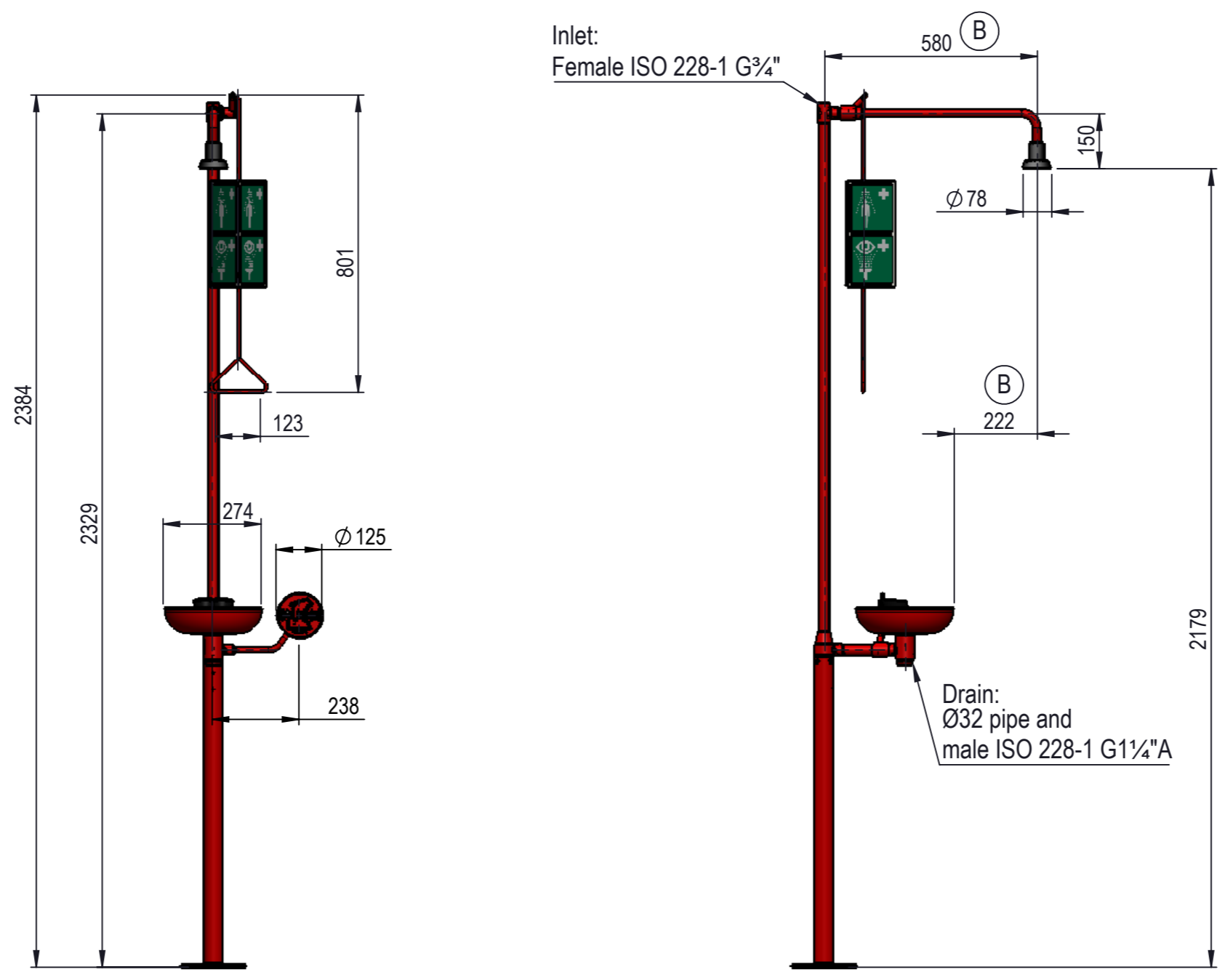
C

B

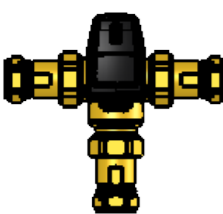
B

A


A



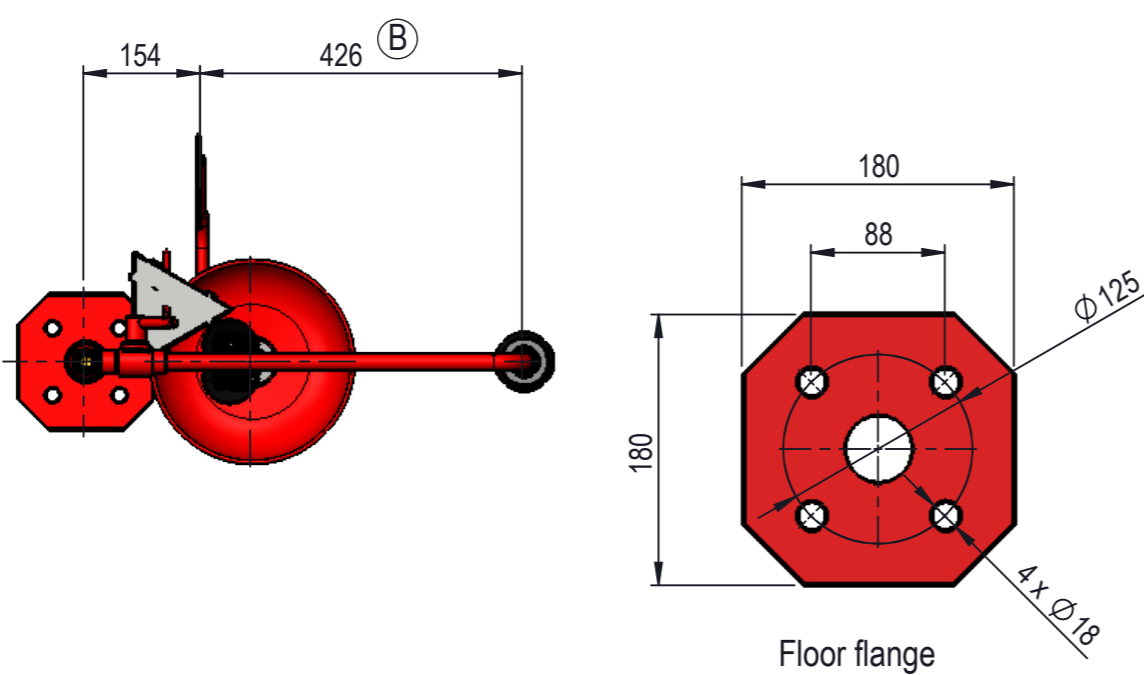
Thermostatic mixing valve
17512009



Cable for pull rod
1790164





Signs & Instructions:
17001920



| | | | |
|---|----------------|---|-------------------|
| Description: | | Body & eye shower with bowl; Freestanding | |
| Media: | | Water | |
| Material: | | | |
| Specification: | | | |
| Comments: | | | |
| Drawing type: | | Customer drawing | Weight: 11.968 Kg |
| All dimensions marked with are inspection dimensions | | | |
| Unspecified linear tolerances: | | Unspecified angular tolerances: | |
| Designed by: | Drawn by: | Released on TM No.: | Date: |
| NSC | CGL | 9651 | 11-05-23 |
| Format: | Drawing No.: | | |
| A3 | 27415560010101 | | |

| Rev. | Pos. | Date | TM No. | Design by | Drawn by | Change: |
|------|------|------|--------|-----------|----------|---------|
| | | | | | | |

This drawing is our property and cannot be given to a third party, copied or otherwise used without our permission. BROEN-LAB A/S

BROEN-LAB