

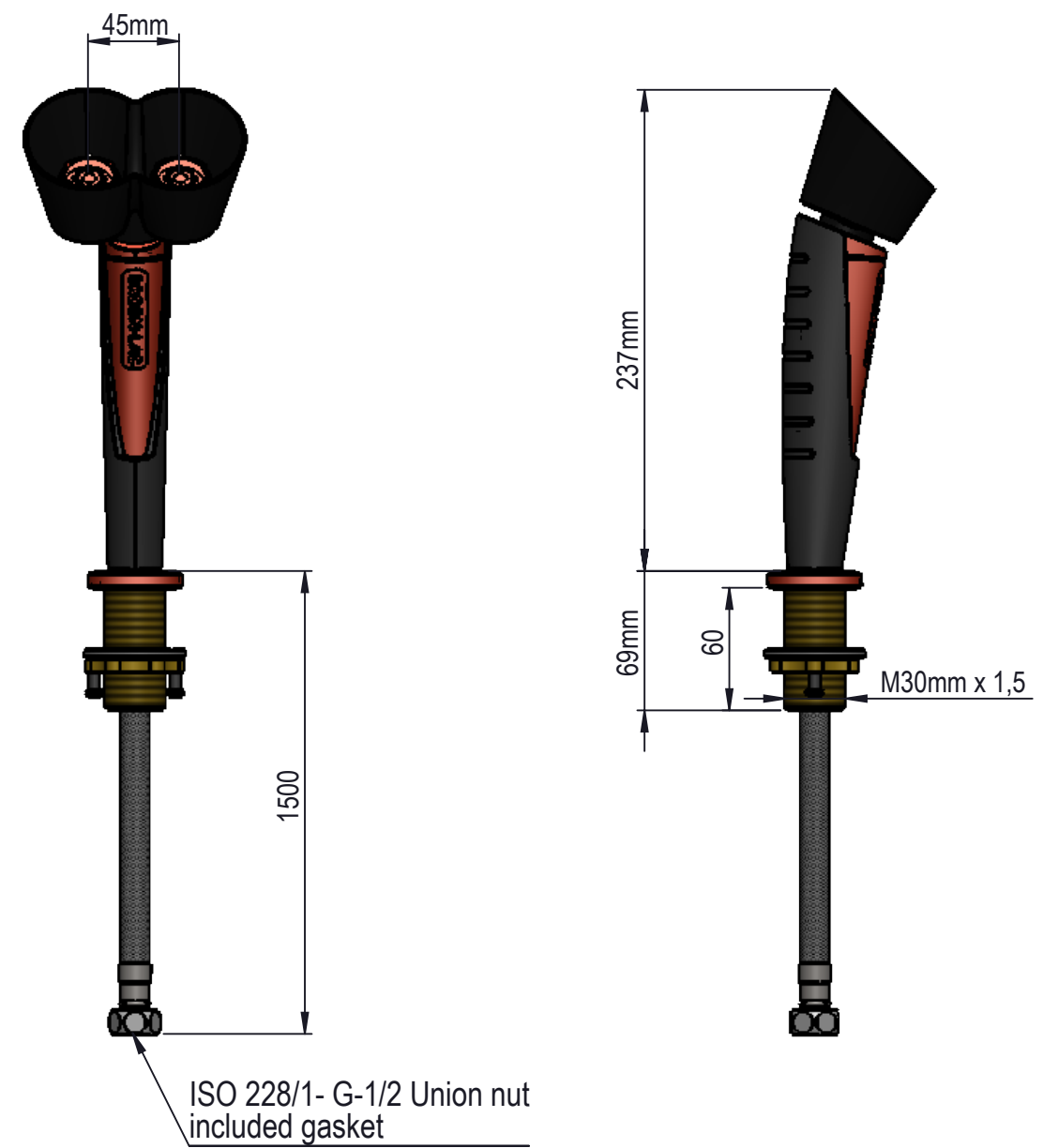
Area of Application:
 Bench/Table mounted
 Water
 Min. working pressure 1 bar
 Max. working pressure 10 bar
 Min. temperature 5°C
 Max. temperature 80°C

Details:
 Check Valve flowfix 14 L/min
 45° Duo Cup

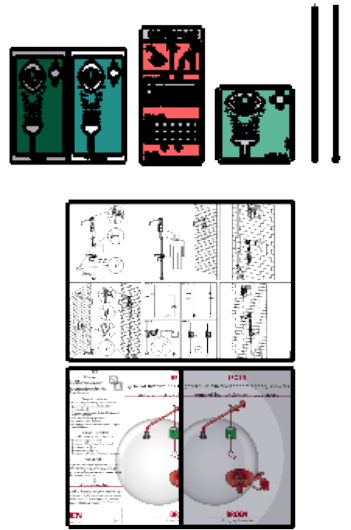
Materials in media contact:
 PA
 SS, AISI 316
 Rubber, EPDM
 POM
 TPE

Mounting:
 M30x1,5 (See 94G0232)

Inlet / outlet connection:
 ISO228/1 - G½", Union nut
 Easy to Clean Spray Head



17001970
 Signs - instructions



Description: BROEN-LAB Emerg. Handheld Eye Shower, Bench/Table mounted, ISO228/1 - G½", 45° Duo Cup, .										
							Media: Water			
							Comments: Single packed			
							Drawing type: Customer drawing		Weight: 0.417 Kg	
Rev.	Pos.	Date	TM No.	Design by	Drawn by:	Change:	Designed by: JAK	Drawn by: MBM	Released on TM No.:	Date: 06-05-2019
BROEN-LAB							Format: A3		Drawing No.: 27100091005011	
This drawing is our property and cannot be given to a third party, copied or otherwise used without our permission. BROEN-LAB A/S.										