

8 7 6 5 4 3 2 1

D

C

B

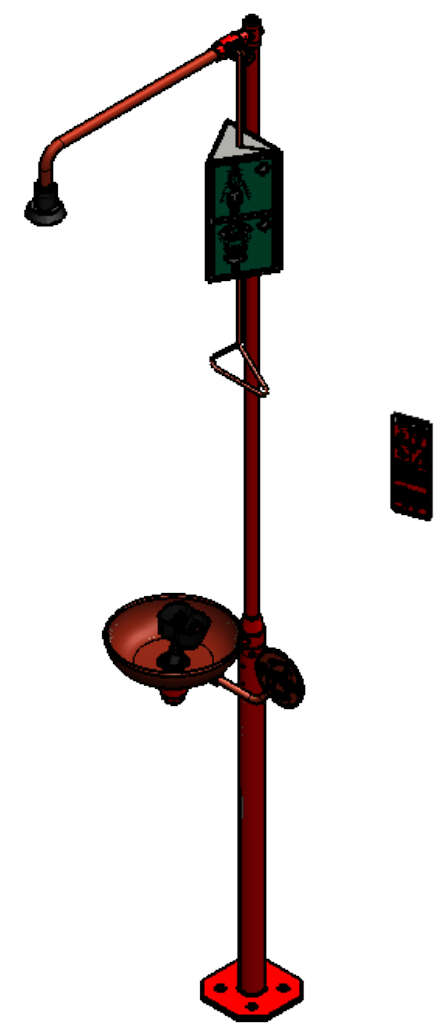
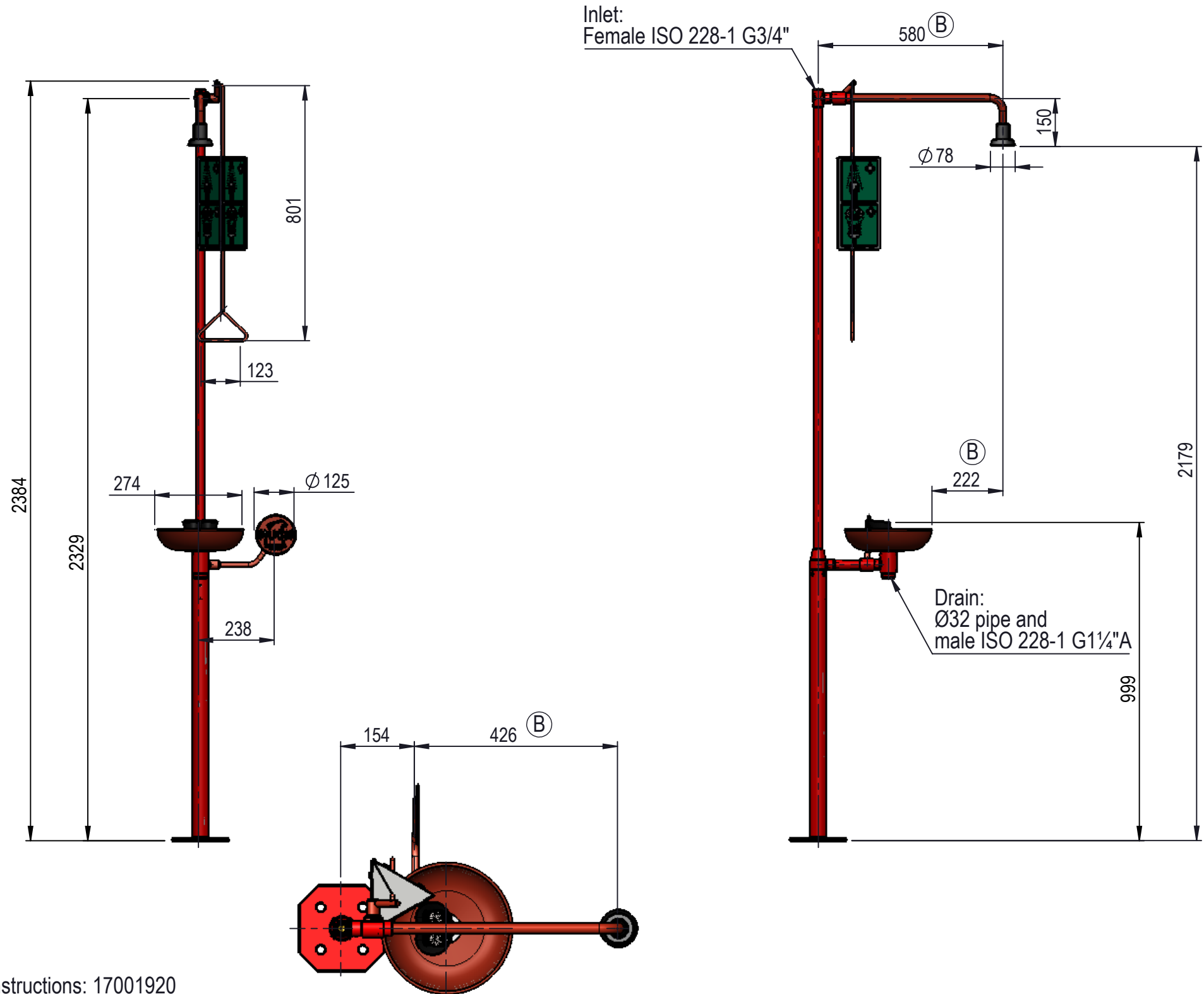
A

D

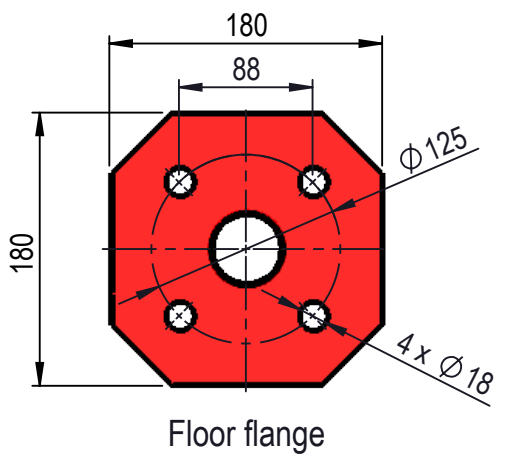
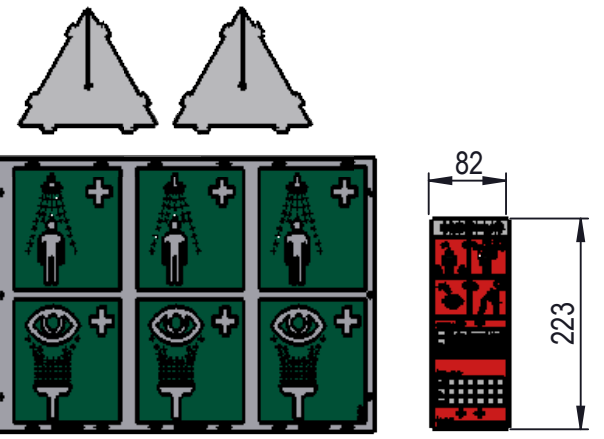
C

B

A



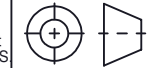
Signs & Instructions: 17001920



Description:		Body & eye shower with bowl; Freestanding	
Media:		Water	
Material:			
Specification:			
Comments:			
Drawing type:		Assembly drawing	Weight: 12.652 Kg
All dimensions made with are inspection dimensions			
Unspecified linear tolerances:		Unspecified angular tolerances:	
Designed by:	Drawn by:	Released on TM No.	Date:
HEM	HEM	6817	27-03-2017
Format:	Drawing No.:		17556009C
A3			

Rev.	Pos.	Date	TM No.	Design by	Drawn by:	Change:
B	D4	12-09-18	7268	HEM	HEM	580; 224;426 was 658;300; 504

BROEN-LAB This drawing is our property and cannot be given to a third party, copied or otherwise used without our permission. BROEN-LAB A/S



8 7 6 5 4 3 2 1