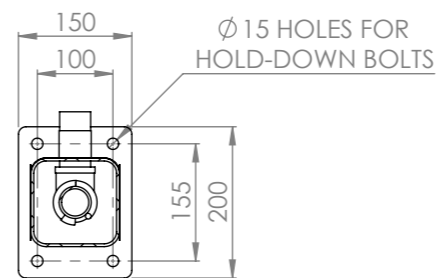
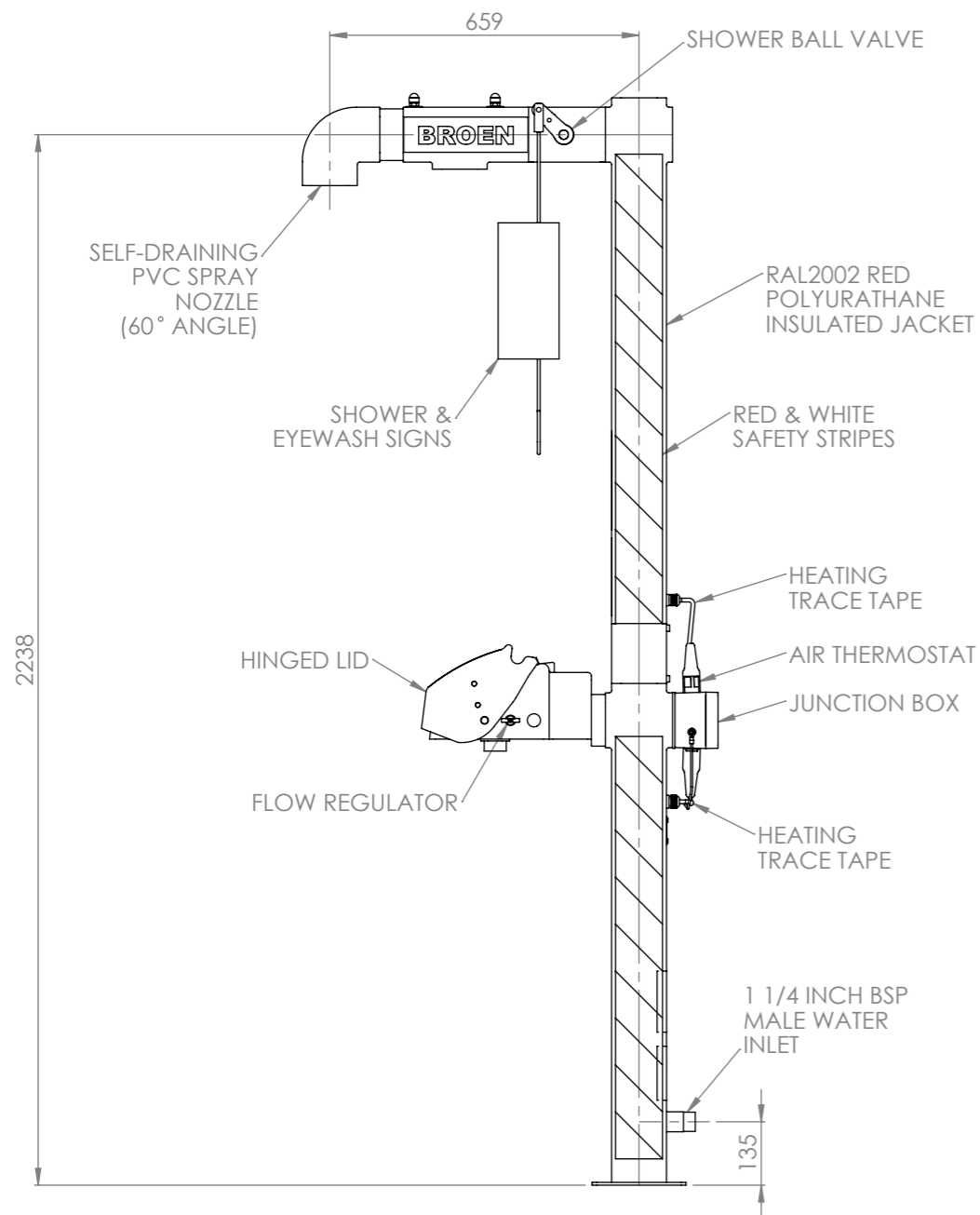
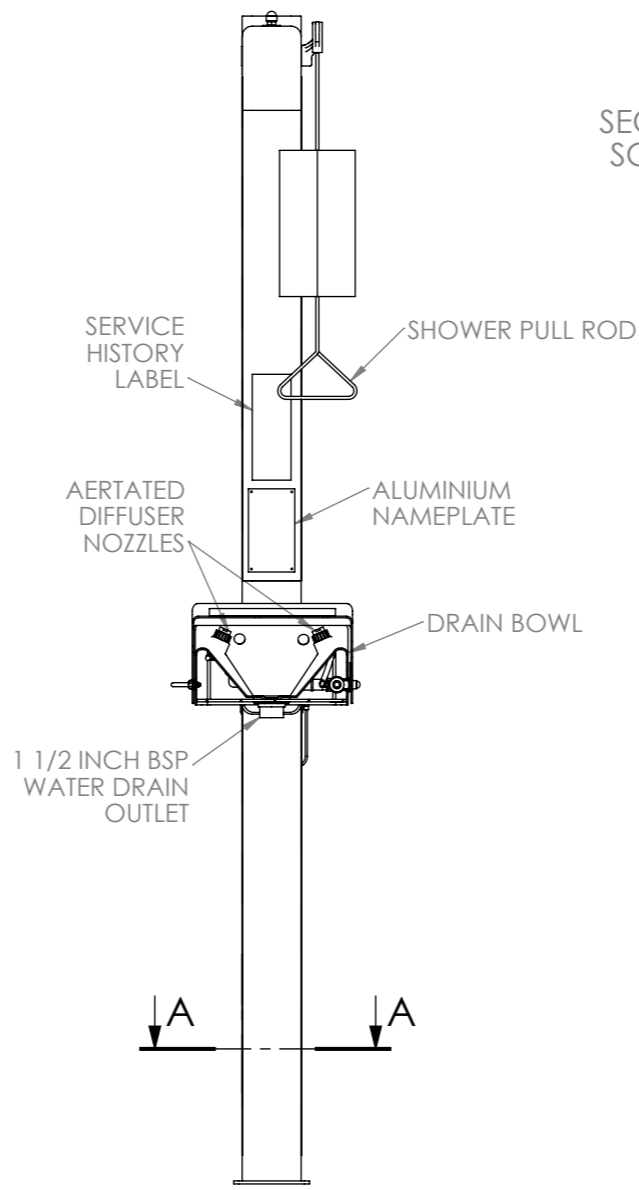


SIDE VIEW

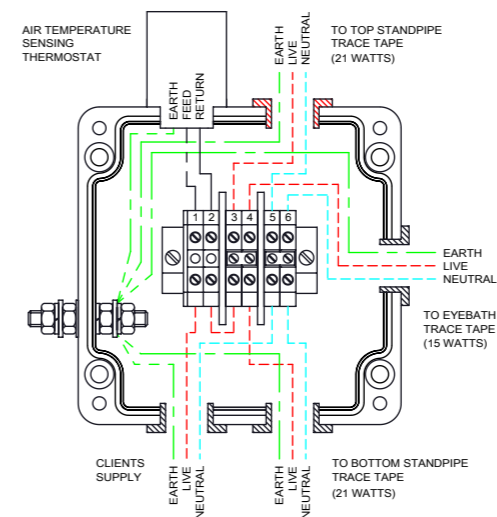


SECTION A-A
SCALE 1 : 10

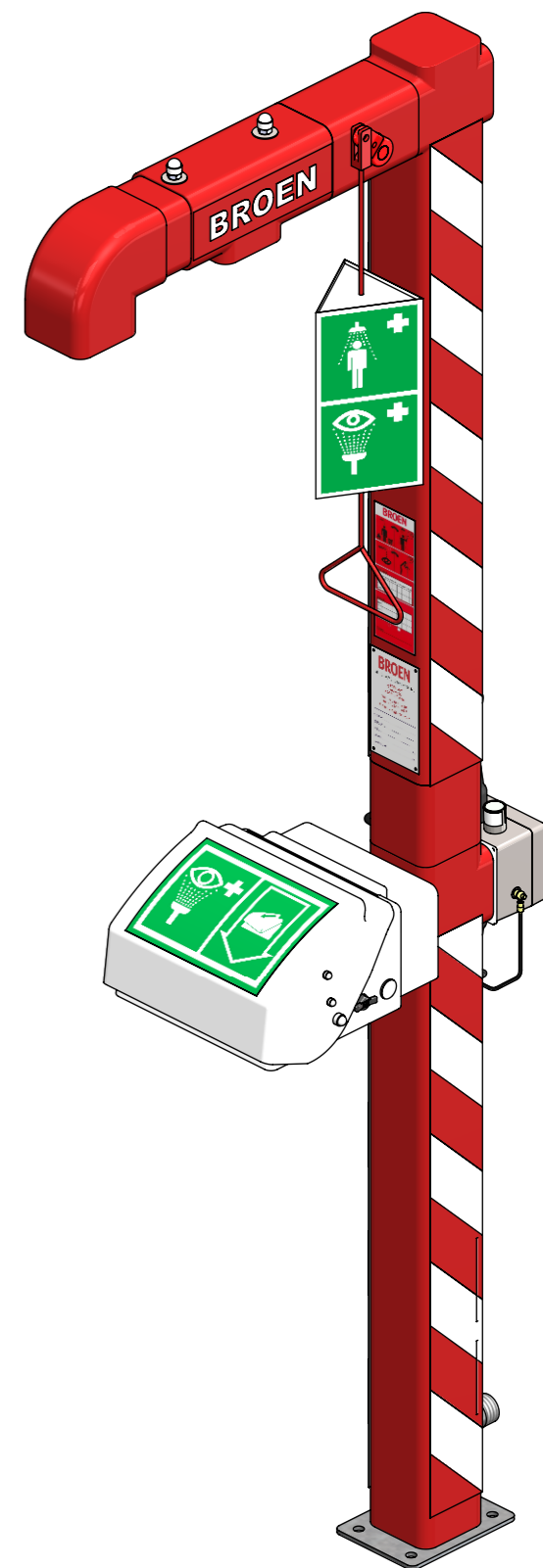


EYEWASH BOWL
CUT AWAY
FOR CLARITY

WIRING DIAGRAM



ISOMETRIC VIEW



FROST PROTECTED EMERGENCY SAFETY SHOWER.
MODULES ARE REMOVABLE WITH STANDPIPE IN SITU.
MINIMUM WORKING TEMPERATURE: -20°C

BROEN-LAB

BROEN A/S
Skovvej 30, DK-5610 Assens,
T: +45 6471 2095 F: +45 6471 2476
E: broen@broen.com W: www.broen.com

	NAME	DATE
DRAWN:	S.W.	25/10/12
CHECKED:	A.L.	26/10/12
APPROVED:	A.L.	26/10/12
MATERIAL:	STAINLESS STEEL	

DEBUR AND BREAK SHARP EDGES
DIMENSIONS ARE IN MILLIMETRES UNLESS SPECIFIED OTHERWISE
TOLERANCES: LINEAR: ANGULAR:
SCALE:1:20
DO NOT SCALE OFF DRAWING

TITLE:
OUTDOOR EMERGENCY SAFETY SHOWER WITH EYE/FACEWASH FOUNTAIN.
SUITABLE FOR FLAMEPROOF AREAS. SUPPLY VOLTAGE 230V, 50 OR 60 HZ.

FINISH: CLEAN	SHEET 1 OF 1	DWG NO. H7410021000221
------------------	--------------	---------------------------

REVISION
A
A3